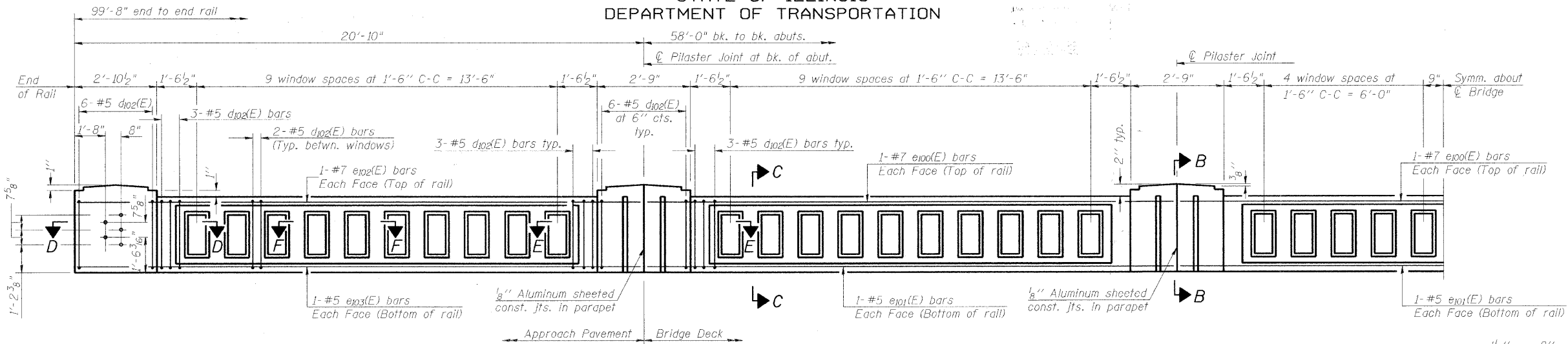
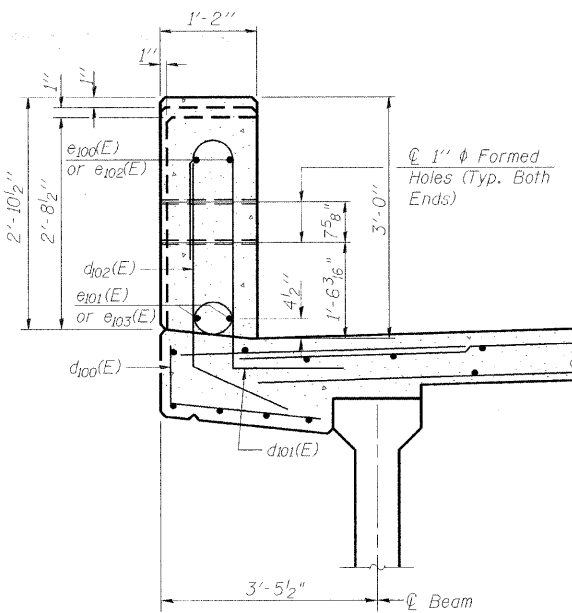


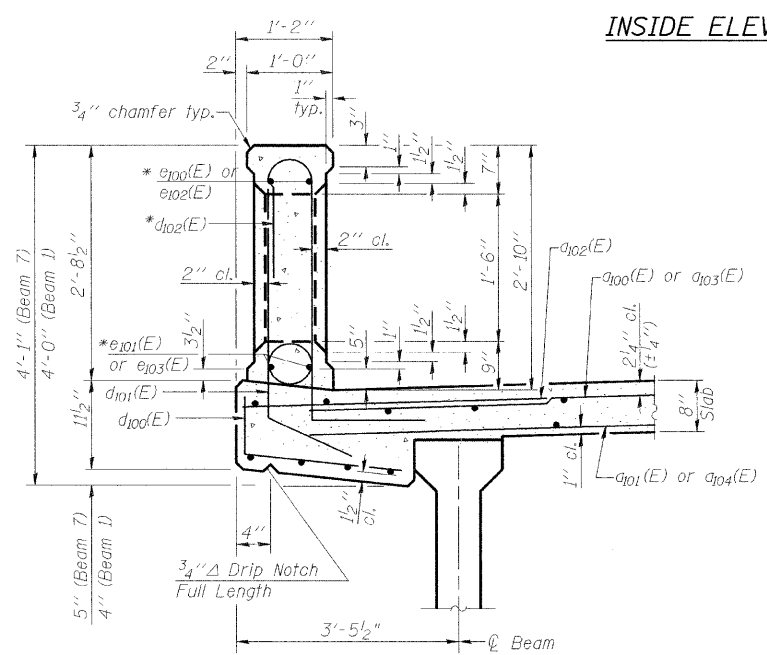
STATE OF ILLINOIS
DEPARTMENT OF TRANSPORTATION



INSIDE ELEVATION OF RAIL

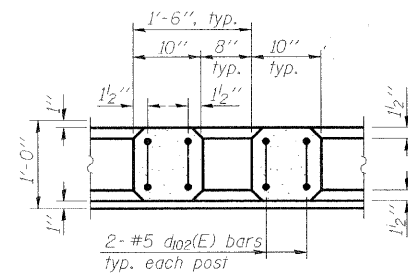


SECTION B-B

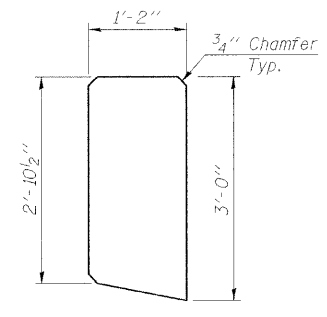


SECTION C-C

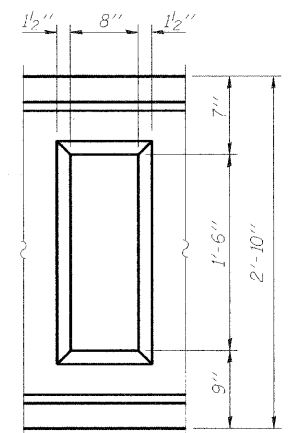
*Bars e100(E) thru e103(E) and d102(E) are included in the cost of Concrete Bridge Railing.



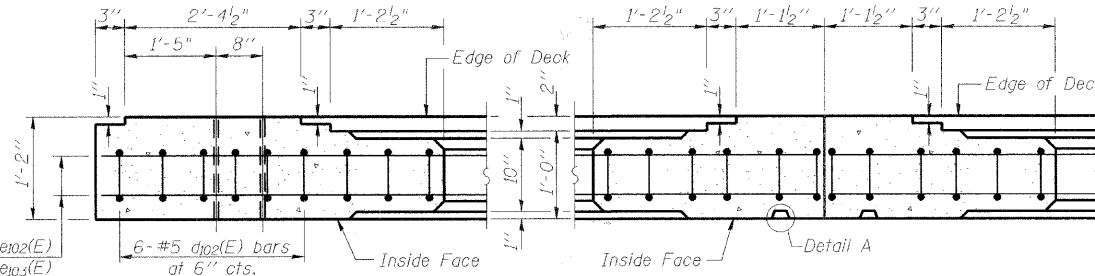
SECTION F-F



PILASTER JOINT
ALUMINUM JOINT DETAIL

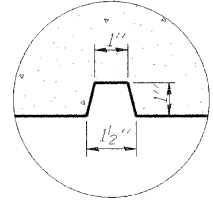


WINDOW DETAIL

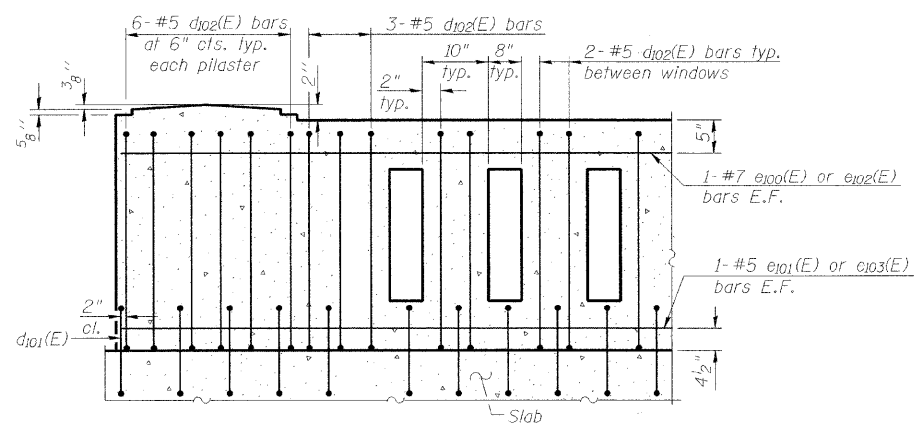


SECTION D-D

SECTION E-E



DETAIL A



TYPICAL REINFORCEMENT PLACEMENT

(Inside Face)

Notes:
All concrete for railing wall shall be Class BS according to Article 1020.04 of the Standard Specifications. Surface of railing shall receive a rubbed finish according to Article 503.15(b) of the Standard Specifications.
All parts of the railing including concrete and reinforcing will be paid for at the contract unit price per foot for Concrete Bridge Railing.
Holes and recesses must be formed or cored. Drilling is not permitted.
Aluminum sheets shall be according to ASTM B209 alloy 3003-H14.
See Sheet 12 of 22 for Bill of Material.

DESIGNED	LAN
CHECKED	MDS
DRAWN	LAN
CHECKED	MDS

TranSystems
1051 Perimeter Drive, Suite 1025
Schaumburg, IL 60173-0058
Phone: (847) 605-9600
Fax: (847) 605-9610

CONCRETE BRIDGE RAILING
STRUCTURE NO. 056-3174

SHEET NO. 11	F.A.S. RTE.	SECTION	COUNTY	TOTAL SHEETS	SHEET NO.
	0026	02-00269-00-BR	McHENRY	153	103
22 SHEETS	CONTRACT NO. 63212		ILLINOIS FED. AID PROJECT		

lanelson 5/28/2009 6:45:03 PM - g:\ch04\0083\structure\sheet\RailLight