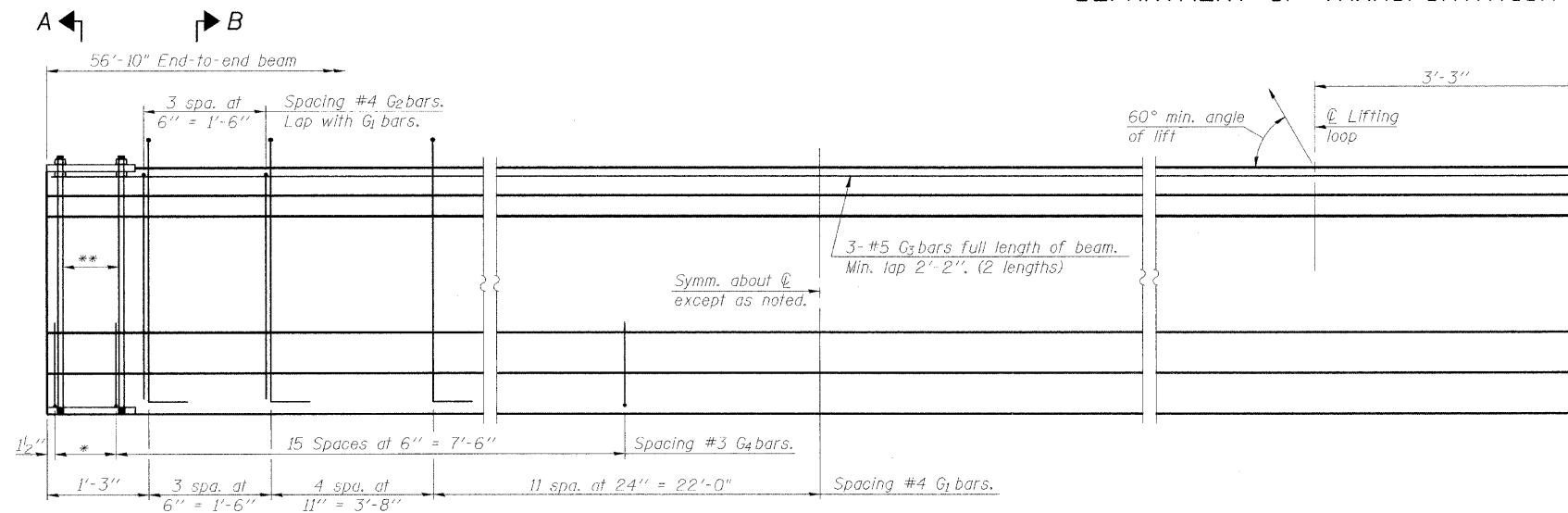


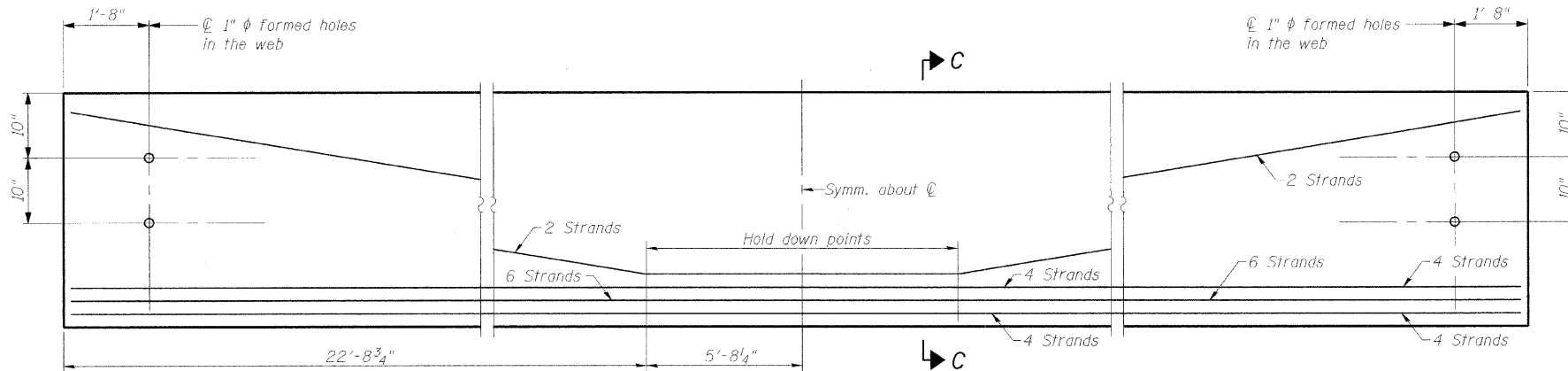
STATE OF ILLINOIS  
DEPARTMENT OF TRANSPORTATION



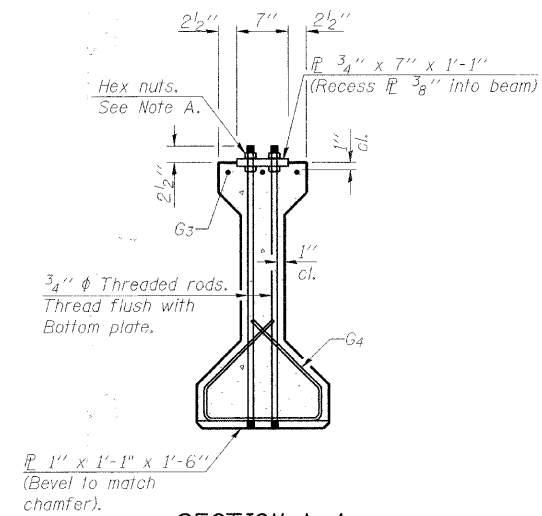
\* 3 spaces at 3" = 9"  
\*\* 4-3/4"  $\phi$  threaded dowel rods at 3" cts., Each Face

**ELEVATION OF BEAM**  
(Showing reinforcement & dimensions)

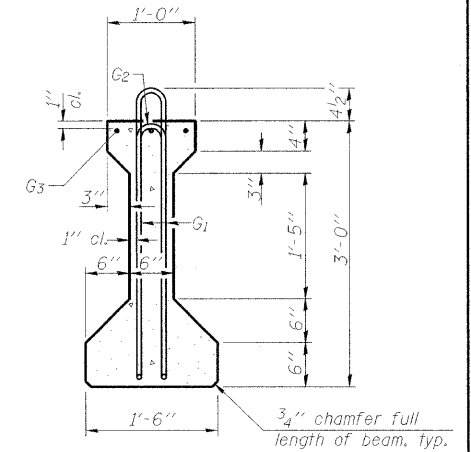
Note A:  
Hex nuts (top and bottom) with lock washers (top). Only tighten sufficiently to compress lock washers.



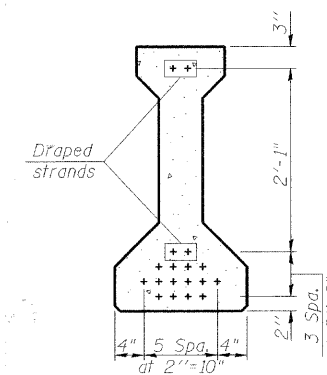
**ELEVATION OF BEAM**  
(Showing prestressing steel)



**SECTION A-A**



**SECTION B-B**



**SECTION C-C**

**\*\*\*BAR LIST**  
**ONE BEAM ONLY**

Bar	No.	Size	Length	Shape
G <sub>1</sub>	37	#4	7'-5"	∩L
G <sub>2</sub>	8	#4	5'-8"	∩
G <sub>3</sub>	6	#5	29'-4"	—
G <sub>4</sub>	38	#3	4'-1"	∩

\*\*\*For information only

Notes:  
See sheet 16 of 22 for additional details and Bill of Material.  
Required release strength, f'ci, shall be 5000 psi.

DESIGNED	MDS
CHECKED	LAN
DRAWN	MDS
CHECKED	SLC

**TranSystems**

1051 Perimeter Drive, Suite 1025  
Schaumburg, IL 60173-5058  
Phone: (847) 805-9600  
Fax: (847) 805-9610

SHEET NO. 15	F.A.S. RTE.	SECTION	COUNTY	TOTAL SHEETS	SHEET NO.
	0026	02-00269-00-BR	McHENRY	153	107
22 SHEETS	CONTRACT NO. 63212				
FED. ROAD DIST. NO.		ILLINOIS FED. AID PROJECT			