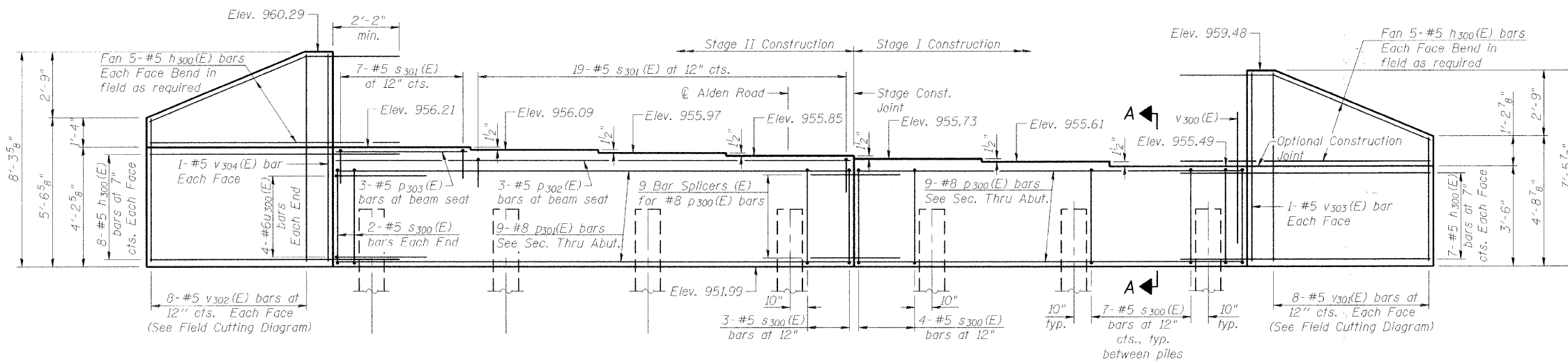
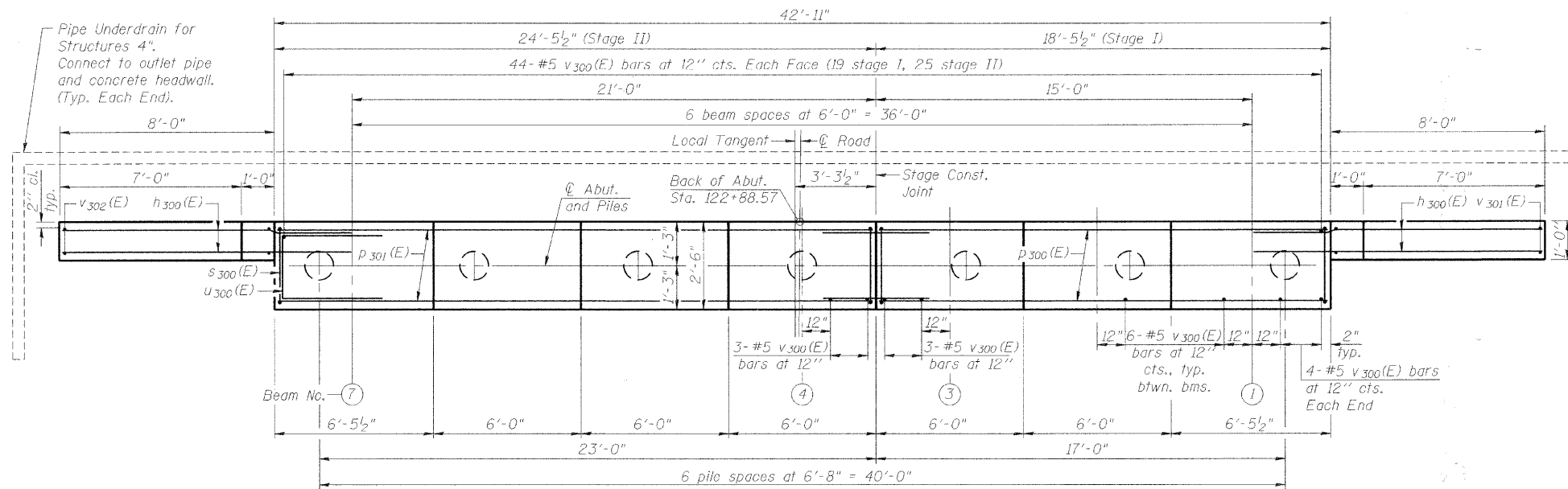


STATE OF ILLINOIS  
DEPARTMENT OF TRANSPORTATION



ELEVATION

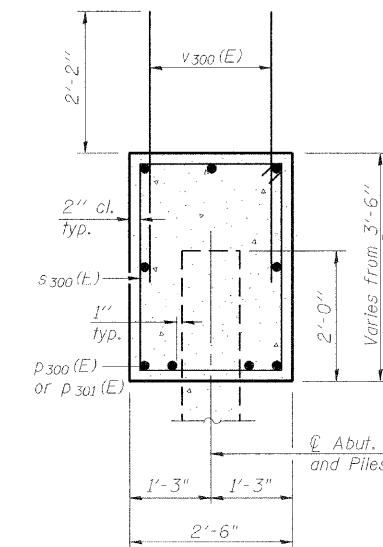


PLAN

BILL OF MATERIAL

Bar	No.	Size	Length	Shape
h300(E)	50	#5	11'-0"	
p300(E)	9	#8	18'-1"	
p301(E)	9	#8	24'-1"	
p302(E)	3	#5	24'-1"	
p303(E)	3	#5	6'-1"	
s300(E)	46	#5	11'-7"	
s301(E)	26	#5	6'-6"	
u300(E)	8	#6	7'-4"	
v300(E)	88	#5	4'-4"	
v301(E)	8	#5	11'-6"	
v302(E)	8	#5	13'-2"	
v303(E)	2	#5	7'-2"	
v304(E)	2	#5	7'-11"	
Structure Excavation			Cu. Yd.	152
Concrete Structures			Cu. Yd.	19.3
Reinforcement Bars, Epoxy Coated			Pound	3140
Furnishing Metal Shell Piles 14"x0.250"			Foot	420
Driving Piles			Foot	420
Test Pile Metal Shells			Each	1
Pile Shoes			Each	7
Bar Splicers			Each	9
Pipe Underdrains for Structures 4"			Foot	63

Notes:  
Four steps monolithically with cap.  
For details of Bar Splicers, see sheet 20 of 22.  
For details of piles see sheet 19 of 22.



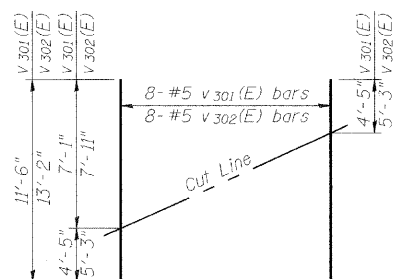
SECTION A-A

SOUTH ABUTMENT  
STRUCTURE NO. 056-3174

PILE DATA

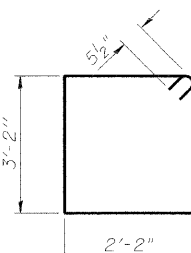
Type: Metal Shell 14"  $\phi$  with 0.25" walls with pile shoes  
Nominal Required Bearing: 330 Kips  
Allowable Resistance Available: 110 Kips  
Est. Length: 70 feet  
No. Production Piles: 6  
No. Test Piles: 1

DESIGNED	MDS
CHECKED	LAN
DRAWN	MDS
CHECKED	SLC

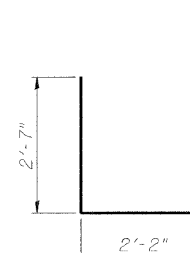


FIELD CUTTING DIAGRAM

Order v301(E) and v302(E) full length.  
Cut as shown and use remainder of bars in opposite face.



BAR s300(E)



BAR u300(E)



1051 Perimeter Drive, Suite 1025  
Schaumburg, IL 60173-5058  
Phone: (847) 605-9600  
Fax: (847) 605-9610

SHEET NO. 17	F.A.S. RTE.	SECTION	COUNTY	TOTAL SHEETS	SHEET NO.
	0026	02-00269-00-BR	McHENRY	153	109
22 SHEETS	CONTRACT NO. 63212				
FED. ROAD DIST. NO.		ILLINOIS FED. AID PROJECT			