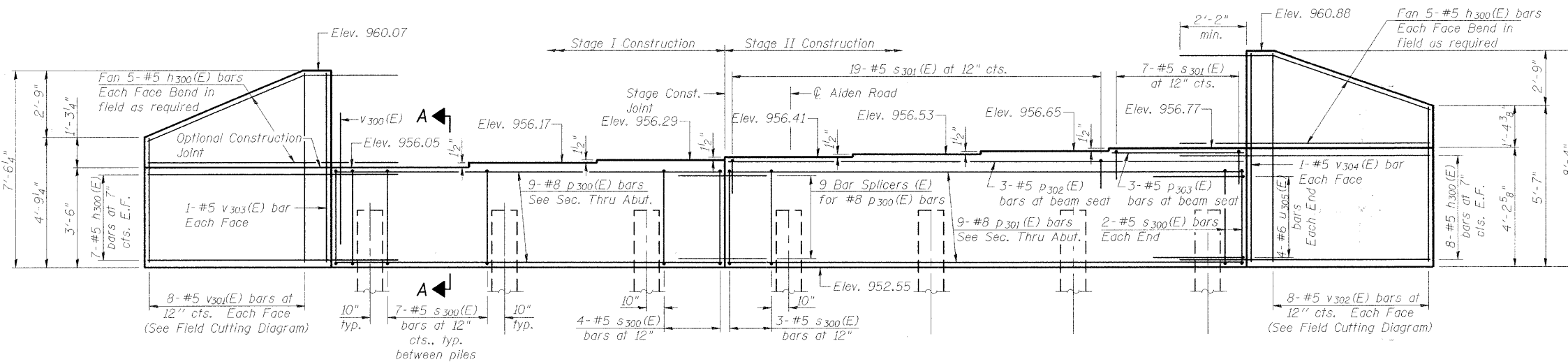
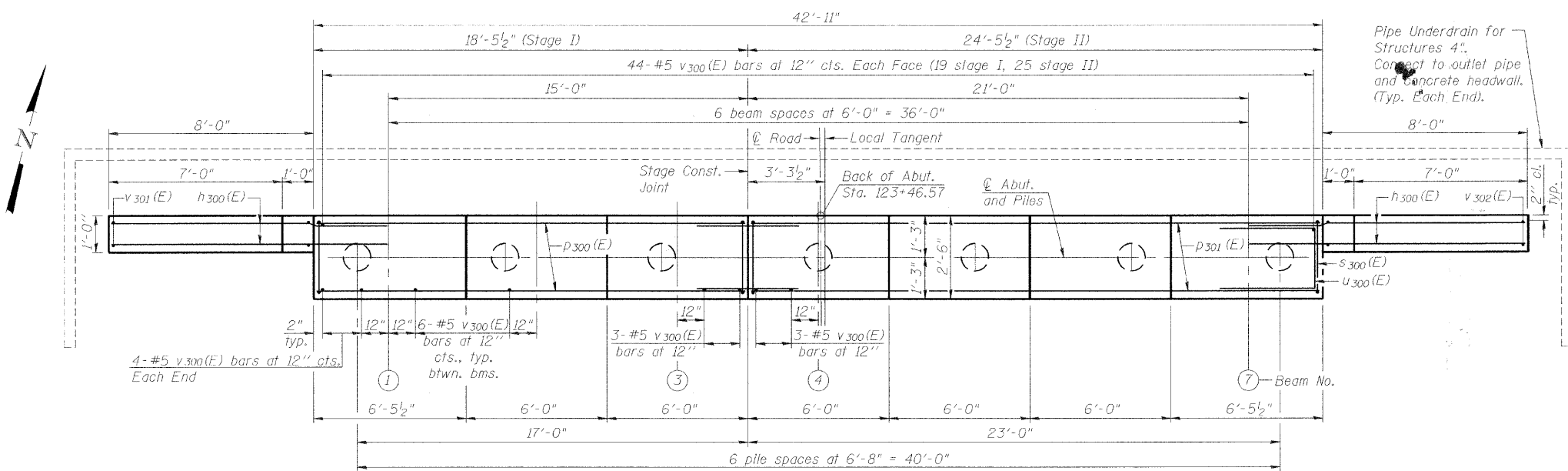


STATE OF ILLINOIS
DEPARTMENT OF TRANSPORTATION



ELEVATION

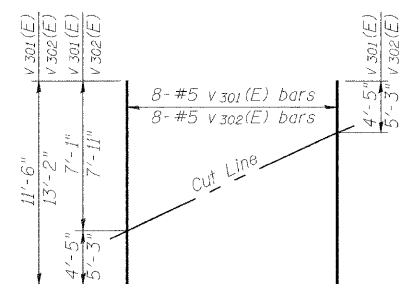


PLAN

PILE DATA

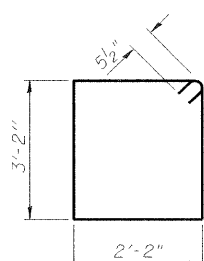
Type: Metal Shell 14" ϕ with 0.25" walls with pile shoes
Nominal Required Bearing: 330 Kips
Allowable Resistance Available: 110 Kips
Est. Length: 70 Feet
No. Production Piles: 6
No. Test Piles: 1

DESIGNED	MDS
CHECKED	LAN
DRAWN	MDS
CHECKED	SLC

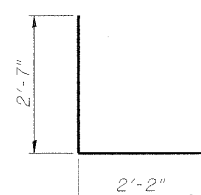


FIELD CUTTING DIAGRAM

Order v301(E) and v302(E) full length.
Cut as shown and use remainder of bars in opposite face.



BAR s300(E)

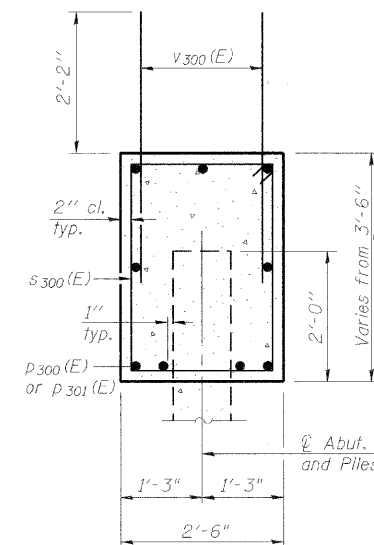


BAR u300(E)

BILL OF MATERIAL

Bar	No.	Size	Length	Shape
h300(E)	50	#5	11'-0"	
p300(E)	9	#8	18'-1"	
p301(E)	9	#8	24'-1"	
p302(E)	3	#5	24'-1"	
p303(E)	3	#5	6'-1"	
s300(E)	46	#5	11'-7"	
s301(E)	26	#5	6'-6"	
u300(E)	8	#6	7'-4"	
v300(E)	88	#5	4'-4"	
v301(E)	8	#5	11'-6"	
v302(E)	8	#5	13'-2"	
v303(E)	2	#5	7'-2"	
v304(E)	2	#5	7'-11"	
Structure Excavation	Cu. Yd.	152		
Concrete Structures	Cu. Yd.	19.3		
Reinforcement Bars, Epoxy Coated	Pound	3140		
Furnishing Metal Shell Piles 14"x0.250"	Foot	420		
Driving Piles	Foot	420		
Test Pile Metal Shells	Each	1		
Pile Shoes	Each	7		
Bar Splicers	Each	9		
Pipe Underdrains for Structures 4"	Foot	63		

Notes:
Pour steps monolithically with cap.
For details of Bar Splicers, see sheet 20 of 22.
For details of piles, see sheet 19 of 22.



SECTION A-A

NORTH ABUTMENT
STRUCTURE NO. 056-3174



SHEET NO. 18	F.A.S. RTE.	SECTION	COUNTY	TOTAL SHEETS	SHEET NO.
	0026	02-00269-00-BR	McHENRY	153	110
22 SHEETS	CONTRACT NO. 63212				
FED. ROAD DIST. NO.		ILLINOIS FED. AID PROJECT			

lanelson 5/28/2009 1:37:55 PM - g:\ch04\0083\struct\abut\sheet 5\NAbut.dwg