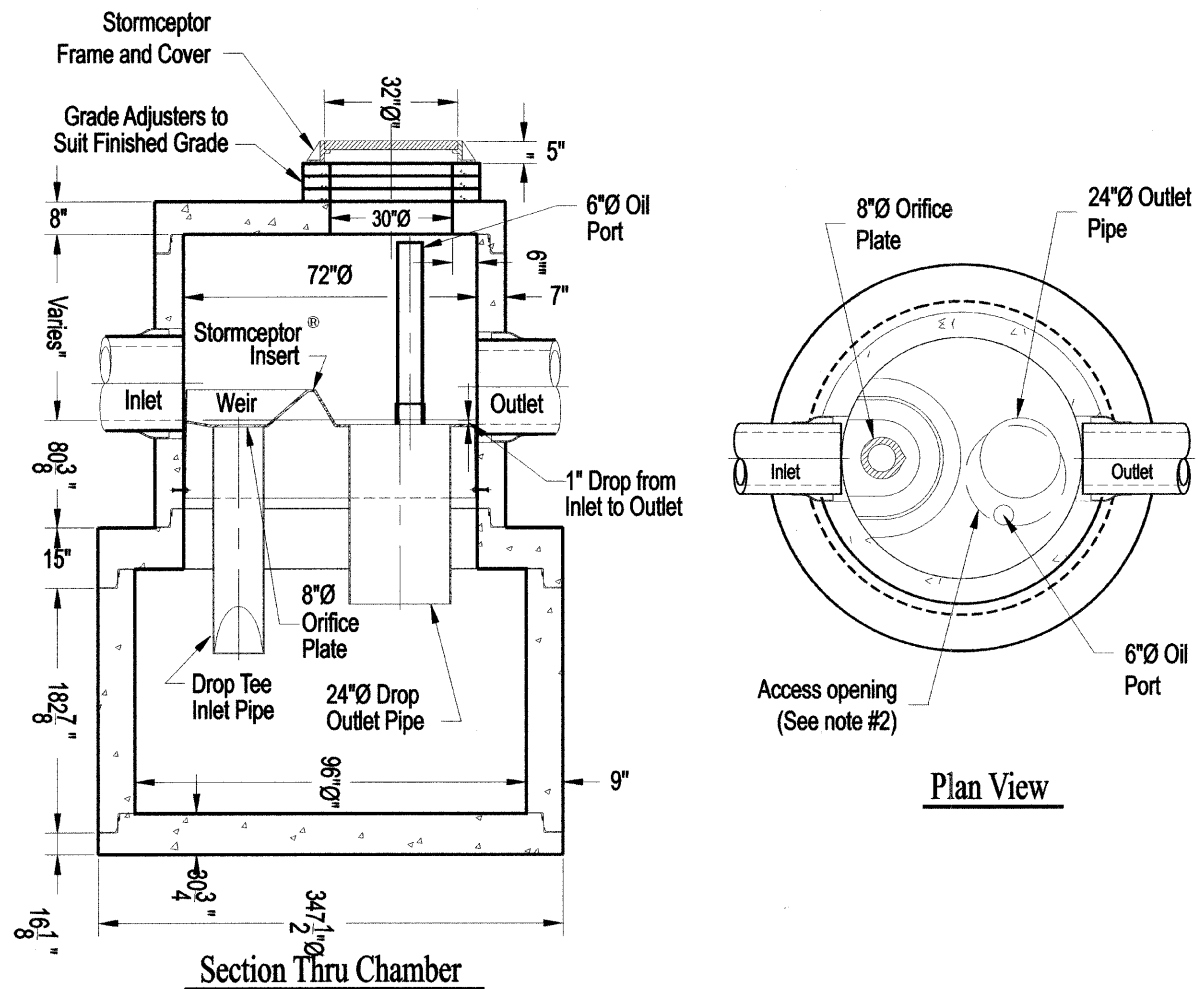


**(Structure 3-19)**  
**STC 2400 Precast Concrete Stormceptor®**  
**(2400 U.S. Gallon Capacity)**

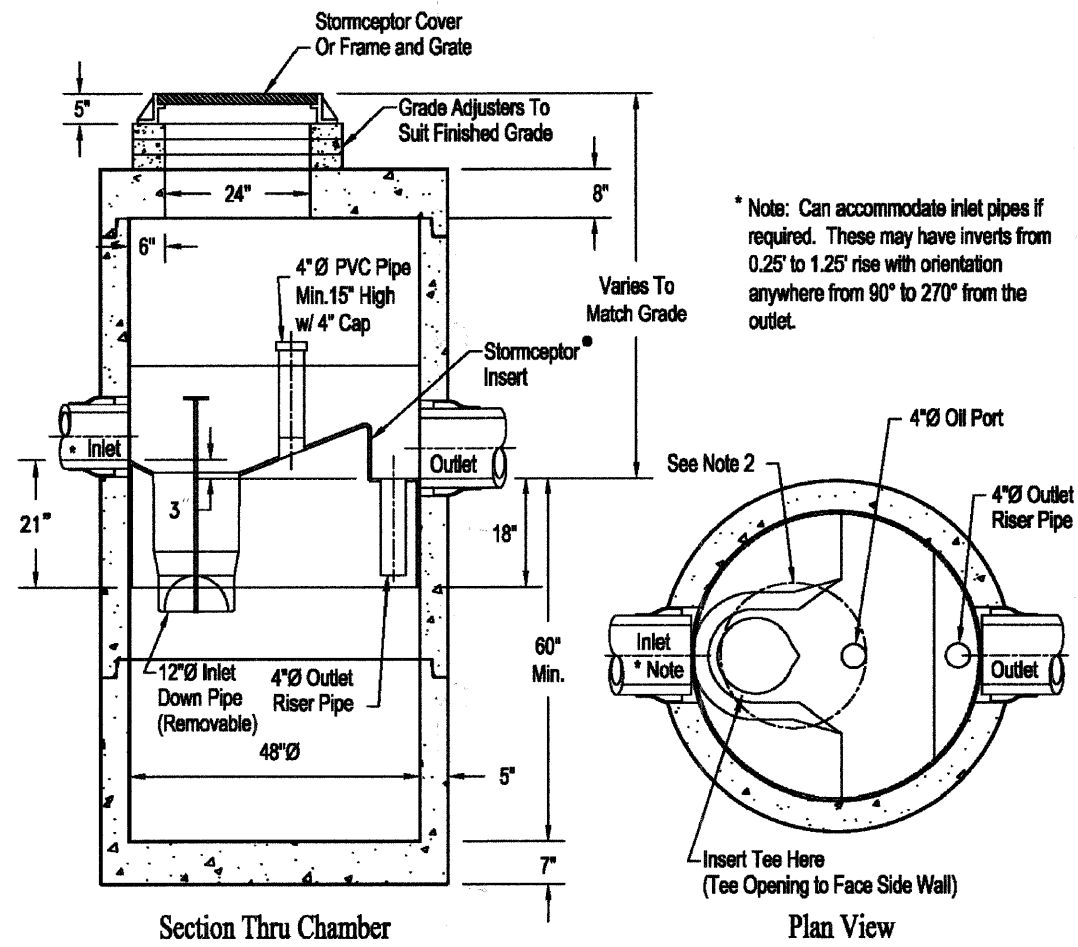


Heaviest Single Piece Wt. Appx: 15,500#

**Notes:**

1. The Use Of Flexible Connection is Recommended at The Inlet and Outlet Where Applicable.
2. The Cover Should be Positioned Over The Outlet Drop Pipe and The Oil Port.
3. The Stormceptor System is protected by one or more of the following U.S. Patents: #4985148, #5498331, #5725760, #5753115, #5849181, #6068765, #6371690.
4. Contact a Concrete Pipe Division representative for further details not listed on this drawing.

**(Structure 4-9)**  
**STC 450i Precast Concrete Stormceptor®**  
**(450 U.S. Gallon Capacity)**



\* Note: Can accommodate inlet pipes if required. These may have inverts from 0.25' to 1.25' rise with orientation anywhere from 90° to 270° from the outlet.

**Notes:**

1. The Use Of Flexible Connection is Recommended at The Inlet and Outlet Where Applicable.
2. The Cover Should be Positioned Over The Inlet Drop Pipe and The Oil Port.
3. The Stormceptor System is protected by one or more of the following U.S. Patents: #4985148, #5498331, #5725760, #5753115, #5849181, #6068765, #6371690.
4. Contact a Concrete Pipe Division representative for further details not listed on this drawing.

FILE NAME = g:\CH04\0083\Road\Sheets\Treatment Structure Details.sht	USER NAME = CEComin	DESIGNED - DRAWN - CEC	REVISED - REVISED -	<b>STATE OF ILLINOIS DEPARTMENT OF TRANSPORTATION</b>	<b>ALDEN ROAD PROJECT DETAILS (SHEET 2 OF 2)</b>	F.A.S. RTE. 0026	SECTION 02-00269-00-BR	COUNTY MCHENRY	TOTAL SHEETS 153	SHEET NO. 129	
PLOT SCALE = 10.0000' / IN.	CHECKED - DWB	REVISED -	SCALE:			SHEET NO. 2 OF 2 SHEETS	STA.	TO STA.	CONTRACT NO. 63212		
PLOT DATE = 6/17/2009	DATE - 05/29/2009	REVISED -	FED. ROAD DIST. NO. 1 ILLINOIS FED. AID PROJECT								