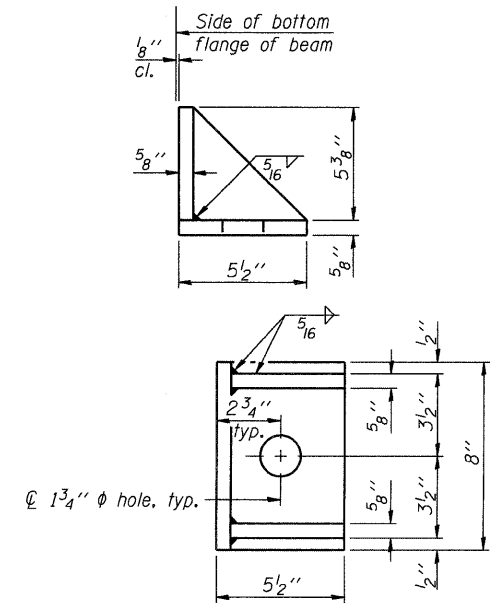


NEAR PIER

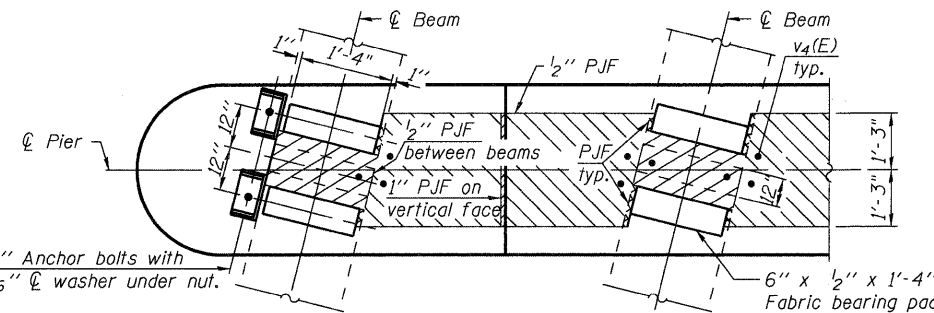
CROSS SECTION  
(Looking East)

NEAR MIDSPAN



SIDE RETAINER

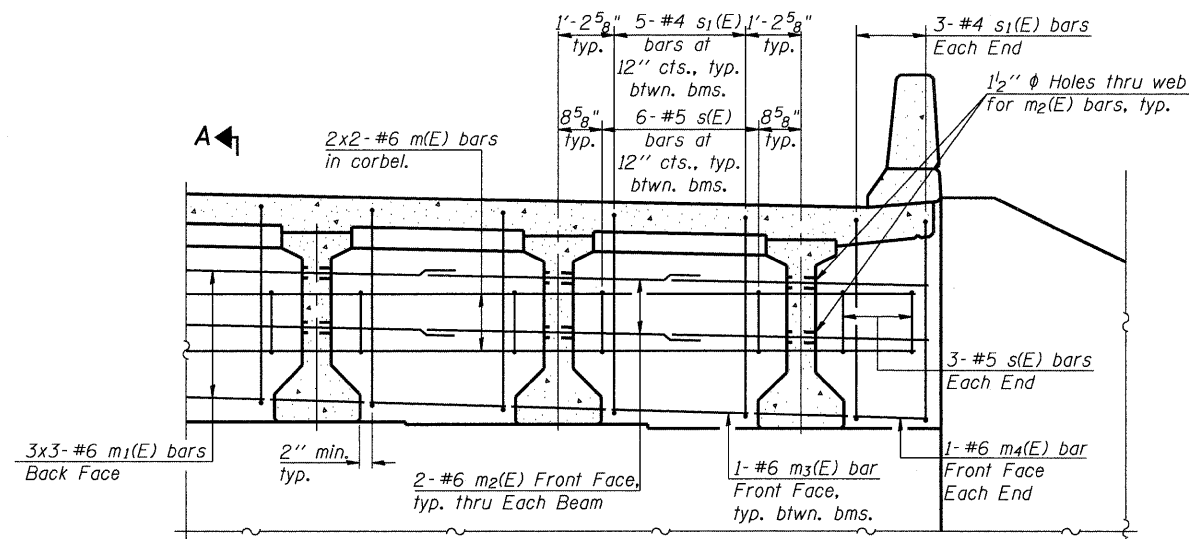
(2 required each side of pier).  
Equivalent rolled angle with stiffeners  
will be allowed in lieu of welded plates.



PLAN AT PIER  
(Showing bearing pad and PJF details)

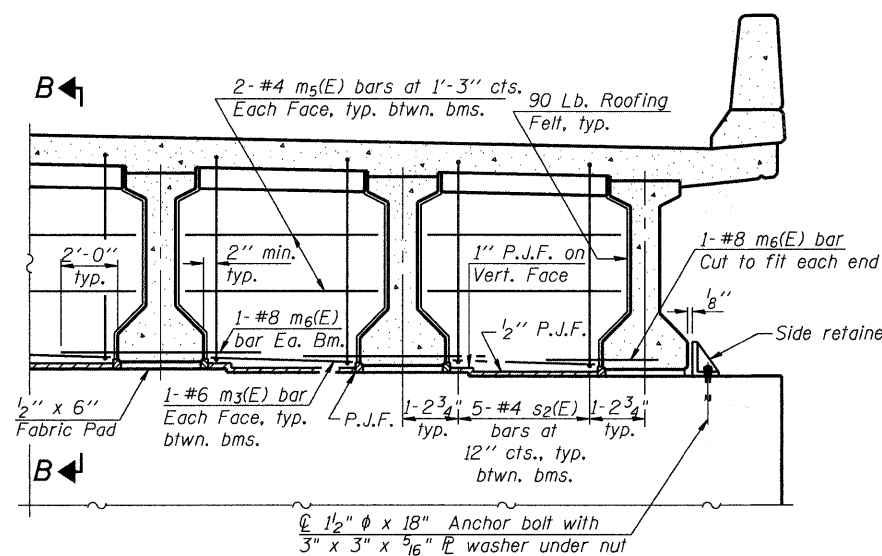
MIN. BAR LAP

#6 bar = 2'-7"



DIAPHRAGM ELEVATION AT ABUTMENT

(East diaphragm shown, looking east.  
West diaphragm similar)



DIAPHRAGM AT PIER

(Looking east)

Notes:  
Reinforcement bars in diaphragm are billed with superstructure on sheet S-10.  
Concrete in diaphragm is included with Concrete Superstructure on sheet S-10.  
For details of bars s(E), s1(E) and s2(E) see sheet S-10.  
The s(E), s1(E) and s2(E) bars shall be placed parallel to the beams. Spacing for these bars shall be at right angles to the beams.  
See sheet S-8 for Sections A-A and B-B.  
Cost of 90 Lb. roofing felt is included with Concrete Superstructure.  
The side retainer shall be galvanized after shop fabrication according to AASHTO M 111.  
Anchor bolt assemblies shall be galvanized according to Article 1006.09 of the Standard Specifications.  
Anchor bolts shall be ASTM F1554 all-thread (or an Engineer-approved alternate material) of the grade(s) and diameter(s) specified. ASTM A307 Grade C anchor bolts may be used in lieu of ASTM F1554 Grade 36 (Fy=36ksi). The corresponding specified grade of AASHTO M314 anchor bolts may be used in lieu of ASTM F1554.  
Anchor bolts for side retainers may be either cast in place or installed in holes drilled after the supporting member is in place and prior to pouring the deck.  
Drilled and set anchor bolts shall be installed according to Article 521.06 of the Standard Specifications.  
Cost of side retainer and anchor bolts shall be included with Concrete Structures.

Sheet No. S-9 of 23

FILE NAME = \\unichg1\p207\p60095873\p60095873\_000\_cad\981.dwg; sheet\structure\056-317-60095873\_509\_Superstructure\_Details\_2.dwg

AECOM

USER NAME = debezicd  
PLOT SCALE = 0.1" = 1" / IN.  
PLOT DATE = 5/28/2009

DESIGNED - DD  
DRAWN - DD  
CHECKED - ATB  
DATE - 3/18/2009

REVISED -  
REVISED -  
REVISED -  
REVISED -

MCHENRY COUNTY  
DIVISION OF TRANSPORTATION

SUPERSTRUCTURE DETAILS II  
STRUCTURE NO. 056-3177

SCALE: SHEET NO. 2 OF 3 SHEETS STA. TO STA.

F.A.S. RTE.	SECTION	COUNTY	TOTAL SHEETS	SHEET NO.
0031	06-00323-00-BR	MCHENRY	53	28
CONTRACT NO. 63218				
FED. ROAD DIST. NO. 1 ILLINOIS FED. AID PROJECT				