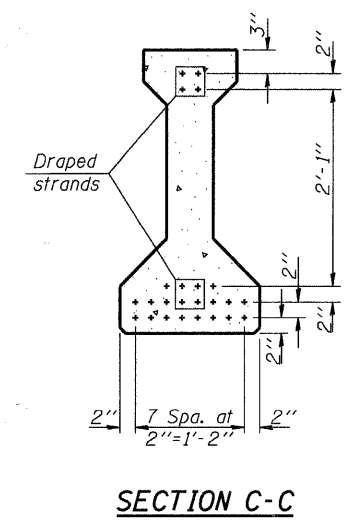
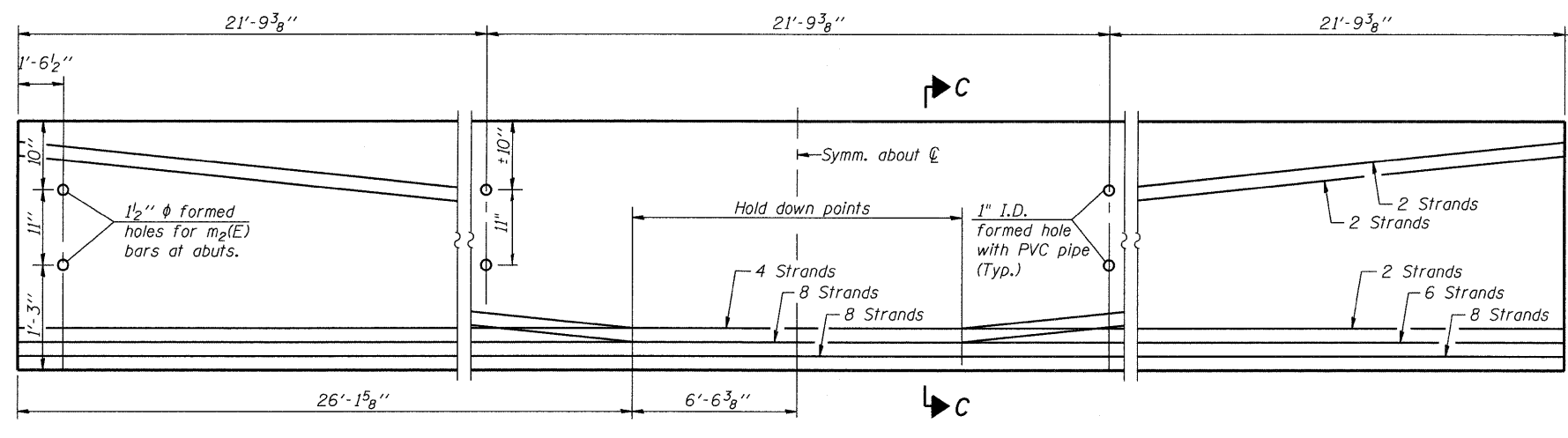


**ELEVATION OF BEAM**  
(Showing reinforcement & dimensions)

Note A:  
Hex nuts (top and bottom) with lock washers (top). Only tighten sufficiently to compress lock washers.

\* 3 spaces at 3" = 9".  
\*\* 4-3/4"  $\phi$  threaded dowel rods at 3" cts., Each Face



**\*\*\*BAR LIST**  
**ONE BEAM ONLY**

Bar	No.	Size	Length	Shape
G <sub>1</sub>	112	#4	7'-5"	$\bar{L}$
G <sub>2</sub>	8	#4	5'-8"	$\bar{n}$
G <sub>3</sub>	9	#5	23'-3"	—
G <sub>4</sub>	38	#3	4'-1"	$\bar{L}$
G <sub>6</sub>	2	#8	6'-6"	$\bar{J}$

\*\*\*For information only

Notes:  
See sheet S-16 for additional details and Bill of Material.  
Required release strength, f'ci, shall be 6000 psi.

FILE NAME = \\naechglp207\p08095873\p08095873\06\_cad\981\_dr\dwg\sheet\structure\056-3177-60095873-815\_Beam\_Details.dwg

AECOM	USER NAME = debezicd	DESIGNED - DD	REVISED -	MCHENRY COUNTY DIVISION OF TRANSPORTATION	36" PPC I-BEAM DETAILS - SPAN 2 STRUCTURE NO. 056-3177	F.A.S. RTE.	SECTION	COUNTY	TOTAL SHEETS	SHEET NO.
	PLOT SCALE = 0:1 1/2" / IN.	DRAWN - DD	REVISED -			0031	06-00323-00-BR	MCHENRY	53	34
	PLOT DATE = 5/28/2009	CHECKED - ATB	REVISED -			CONTRACT NO. 63218				
	DATE - 3/18/2009	DATE -	REVISED -		SCALE:	FED. ROAD DIST. NO. 1 ILLINOIS FED. AID PROJECT				