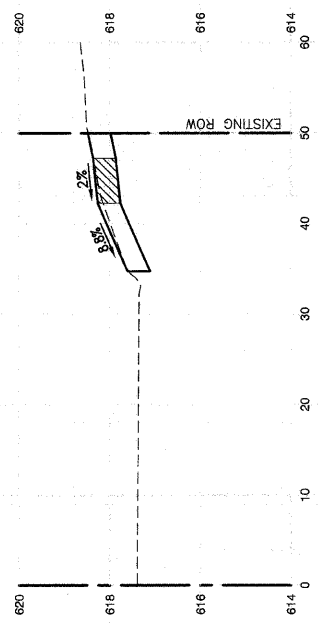
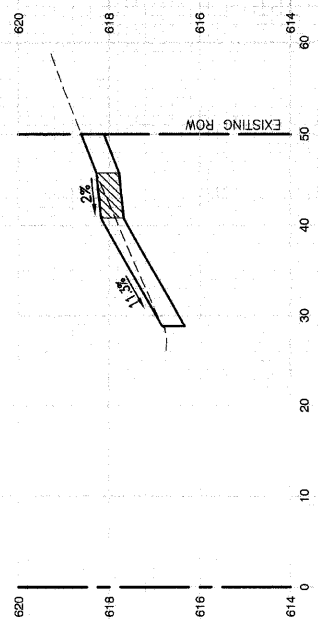


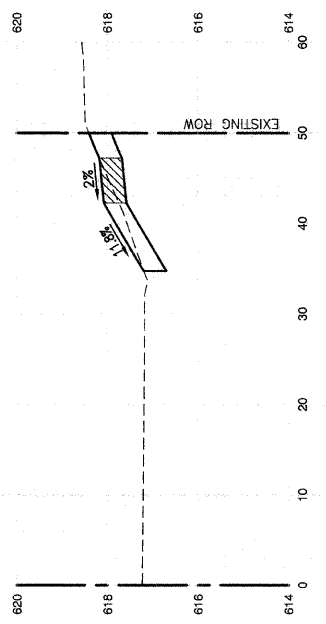
30+23



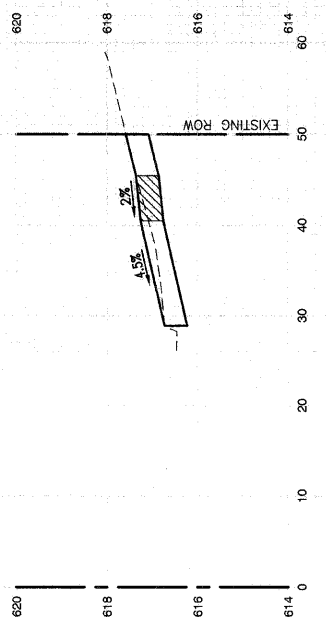
37+30



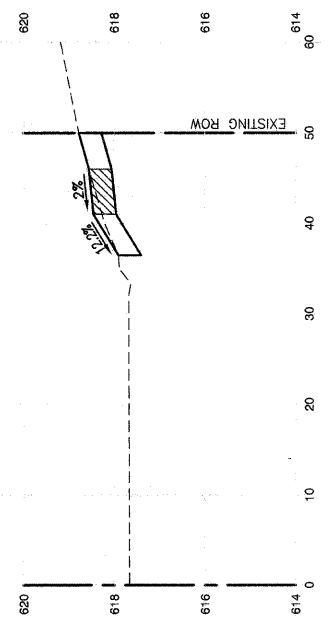
29+91.50



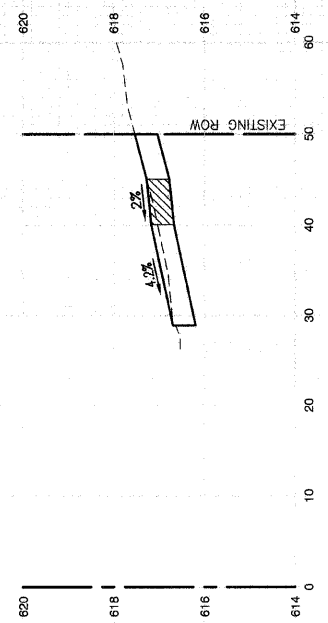
36+65



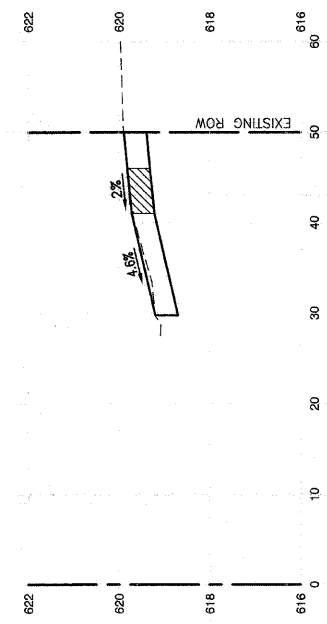
28+69.50



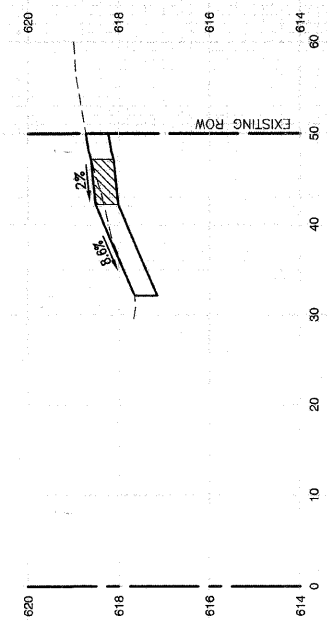
35+17.50



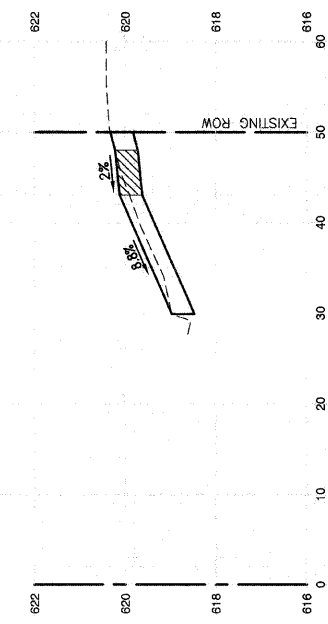
5+51.50



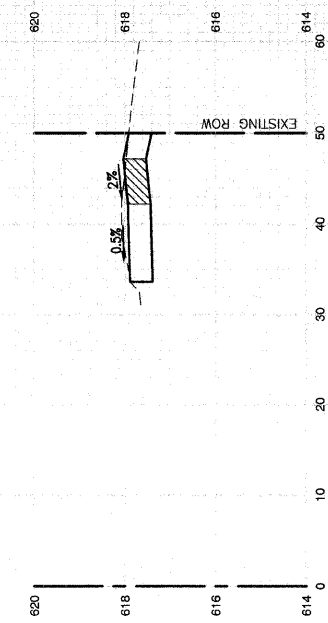
31+71.50



4+12



31+21.50



FILE NAME = 09291XSEC-01 - X01	USER NAME =	DESIGNED -- RJW	REVISED --
		CHECKED -- RJW	REVISED --
	PLOT SCALE =	DRAWN -- PS	REVISED --
	PLOT DATE = 08-20-09	CHECKED -- AG	REVISED --

**STATE OF ILLINOIS
DEPARTMENT OF TRANSPORTATION**

**SIDWALK IMPROVEMENTS
CROSS SECTIONS AT DRIVEWAY LOCATIONS
ROBERTS ROAD**

SCALE: H 1"=10' V 1"=2' SHEET NO. 25 OF 35 SHEETS STA. TO STA.

F.A.U. RTE. 2757/1537	SECTION 09-00060-00-SW	COUNTY COOK	TOTAL SHEETS 35	SHEET NO. 25
FED. ROAD DIST. NO. 1 ILLINOIS		FED. AID PROJECT M-9003(325)		
CONTRACT NO. 63228				