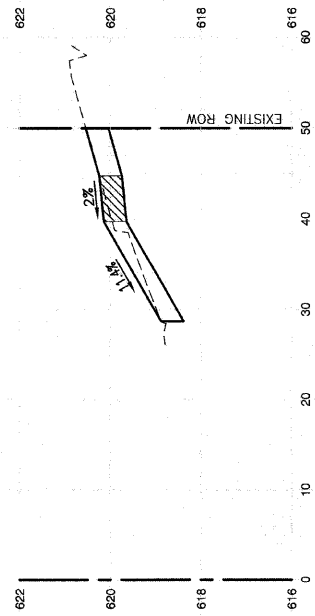
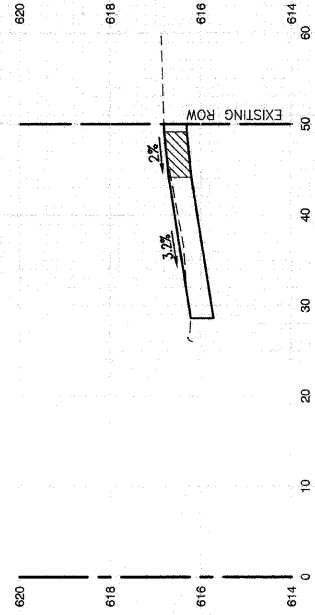


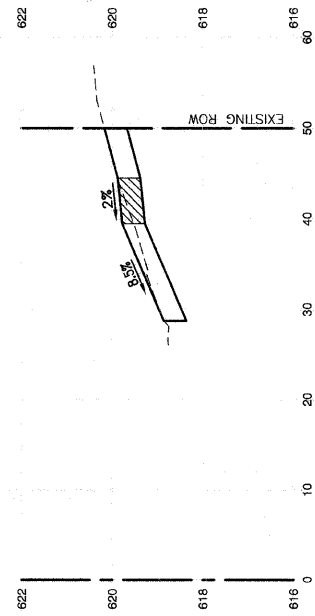
43+83



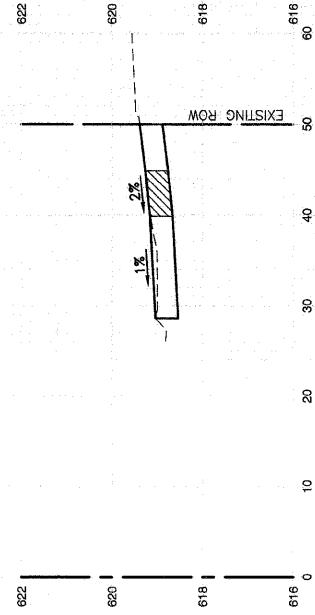
54+43.50



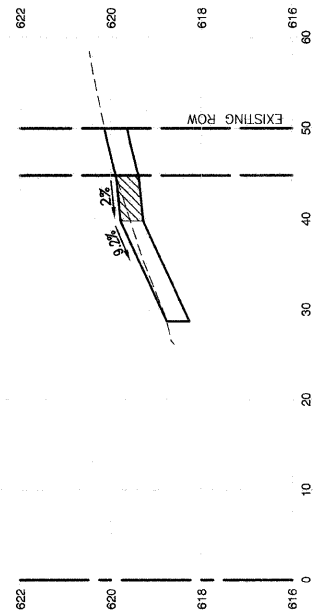
43+62.50



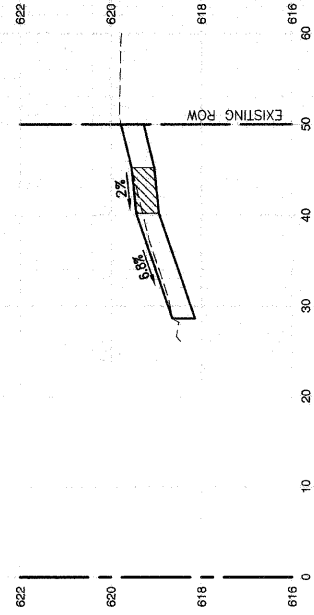
48+05



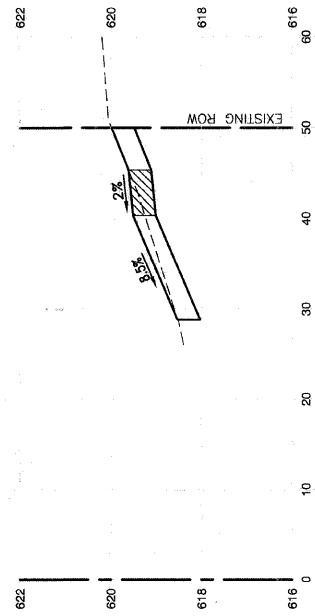
43+04.50



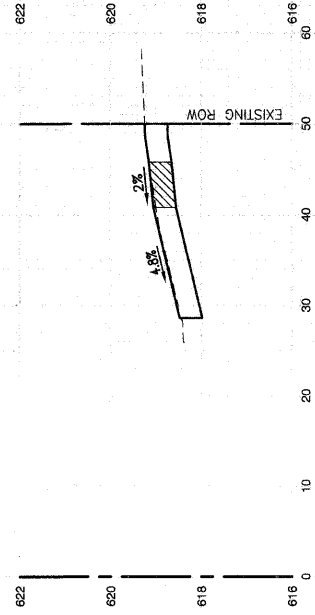
47+06.50



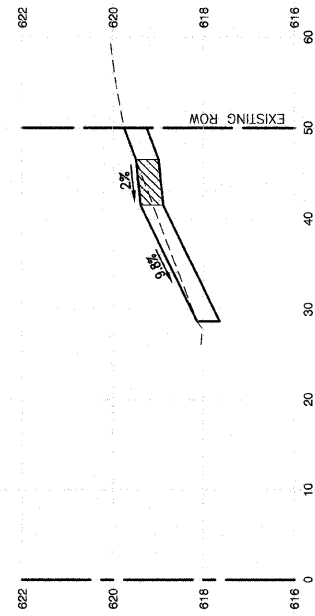
42+48



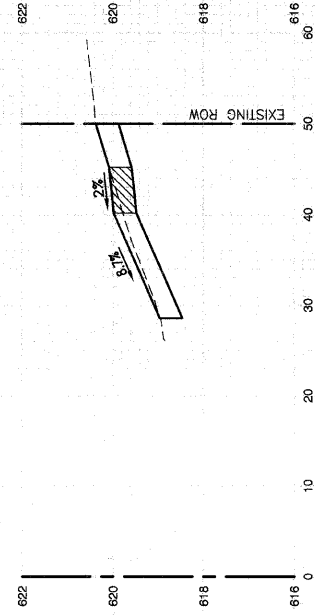
45+93.50



41+33



44+27



FILE NAME = 09291.XSEC-01 - X02

USER NAME =
 PLOT SCALE =
 PLOT DATE = 08-20-09

DESIGNED — RJW
 CHECKED — RJW
 DRAWN — PS
 CHECKED — AG

REVISED —
 REVISED —
 REVISED —
 REVISED —

STATE OF ILLINOIS
 DEPARTMENT OF TRANSPORTATION

SIDWALK IMPROVEMENTS
 CROSS SECTIONS AT DRIVEWAY LOCATIONS
 ROBERTS ROAD

SCALE: H 1"=10' V 1"=2'
 SHEET NO. 26 OF 35 SHEETS
 STA. TO STA.

F.A.U. RTE. 2757/1537	SECTION 09-00060-00-SW	COUNTY COOK	TOTAL SHEETS 35	SHEET NO. 26
CONTRACT NO. 63228				
FED. ROAD DIST. NO. 1 ILLINOIS FED. AID PROJECT M-9003(325)				