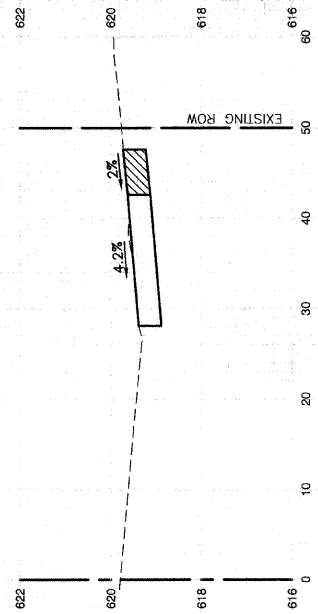
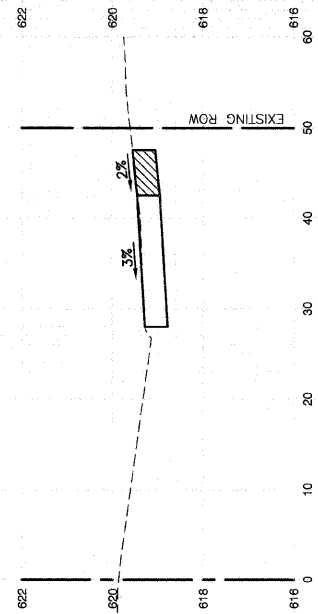


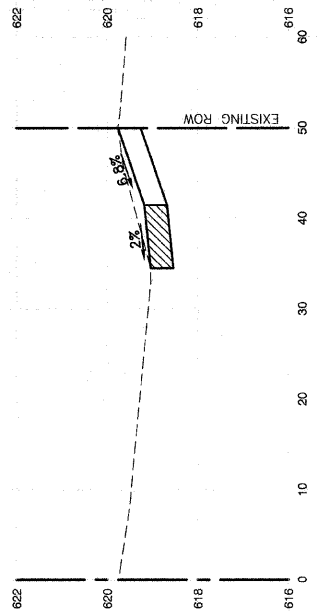
306+75



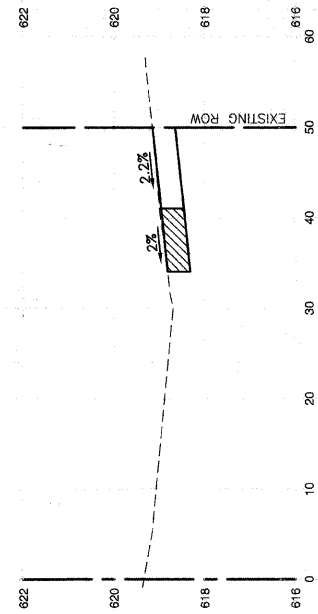
306+09.75



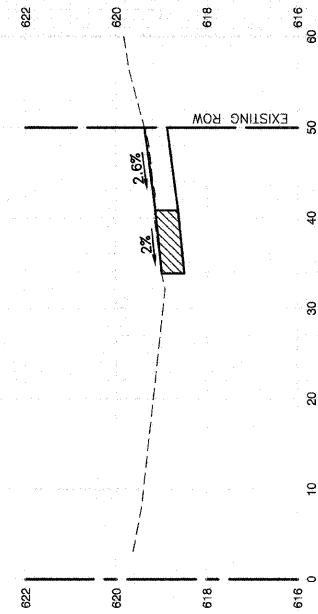
304+00



303+01.5



302+50



FILE NAME = 08291-XSEC-01 - X13

USER NAME =  
 PLOT SCALE =  
 PLOT DATE = 08-20-09

DESIGNED - RJW  
 CHECKED - RJW  
 DRAWN - PS  
 CHECKED - AG

REVISED -  
 REVISED -  
 REVISED -  
 REVISED -

STATE OF ILLINOIS  
 DEPARTMENT OF TRANSPORTATION

SIDEWALK IMPROVEMENTS  
 CROSS SECTIONS  
 79TH STREET

SCALE: H 1"=10' V 1"=2' SHEET NO. 33 OF 35 SHEETS STA. TO STA.

F.A.U. RTE. 275/1537	SECTION 09-00060-00-SW	COUNTY COOK	TOTAL SHEETS 35	SHEET NO. 33
FED. ROAD DIST. NO. 1 ILLINOIS		FED. AID PROJECT M-9003(325)		
CONTRACT NO. 63228				