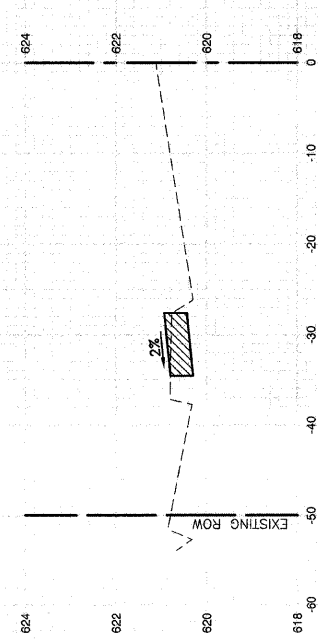
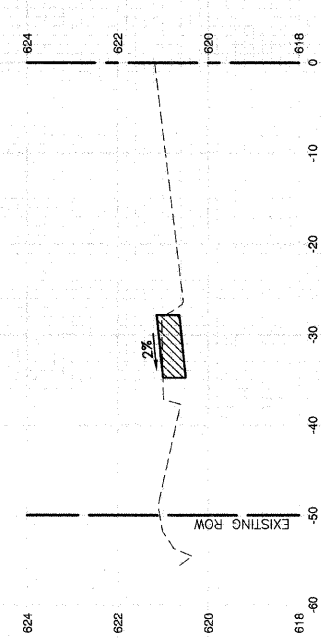


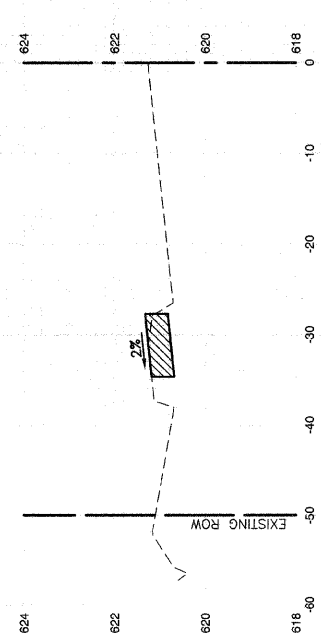
342+00



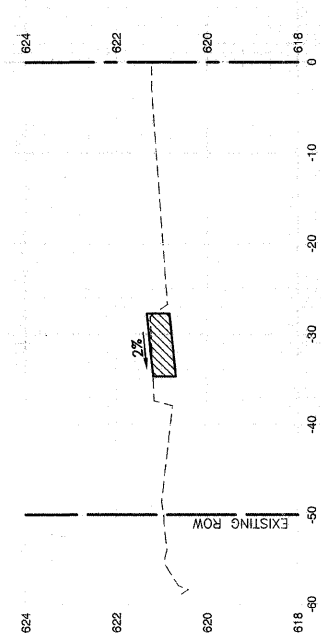
341+50



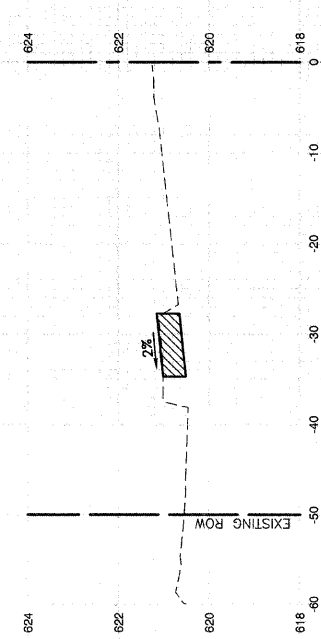
341+00



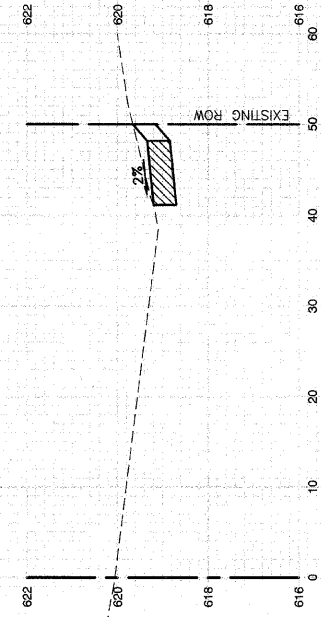
340+50



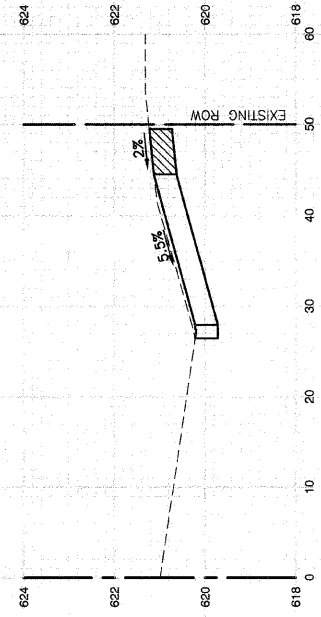
340+00



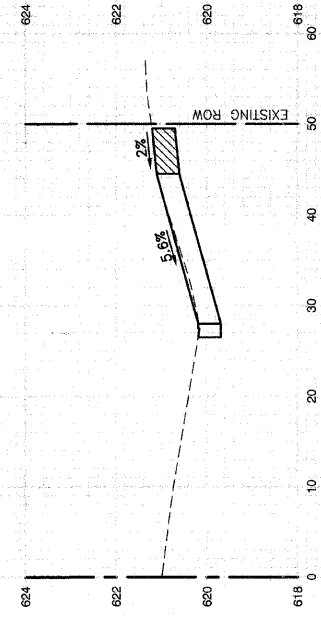
348+16.50



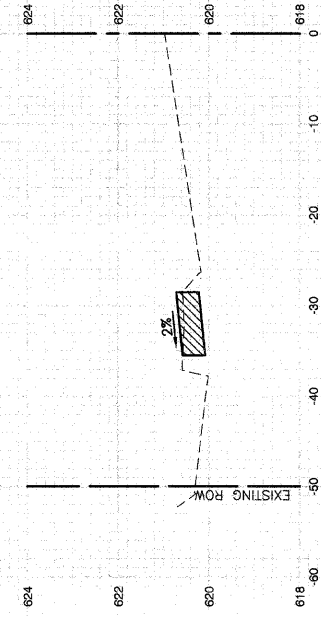
343+72.50



343+35



342+50



FILE NAME = 09291.XSEC-01 - X14

USER NAME =	DESIGNED -- RJW	REVISED --
	CHECKED -- RJW	REVISED --
PLOT SCALE =	DRAWN -- PS	REVISED --
PLOT DATE = 08-20-09	CHECKED -- AG	REVISED --

STATE OF ILLINOIS  
DEPARTMENT OF TRANSPORTATION

SIDWALK IMPROVEMENTS  
CROSS SECTIONS  
79TH STREET

SCALE: H 1"=10' V 1"=2' SHEET NO. 34 OF 35 SHEETS STA. TO STA.

F.A.U. RTE. 2757/1537	SECTION 09-00060-00-SW	COUNTY COOK	TOTAL SHEETS 35	SHEET NO. 34
CONTRACT NO. 63228				
FED. ROAD DIST. NO. 1 ILLINOIS FED. AID PROJECT M-9003(325)				