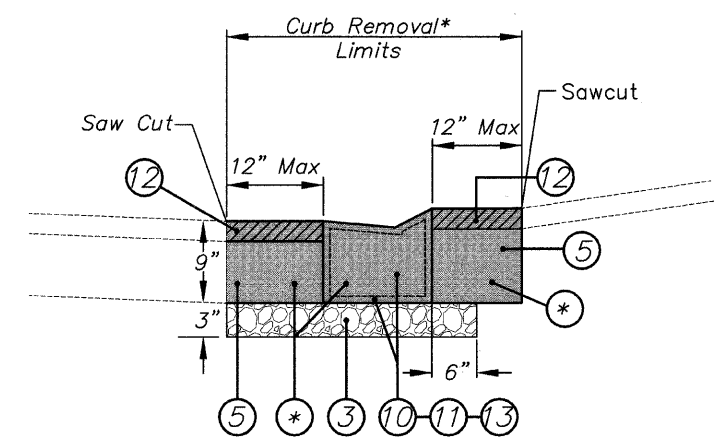
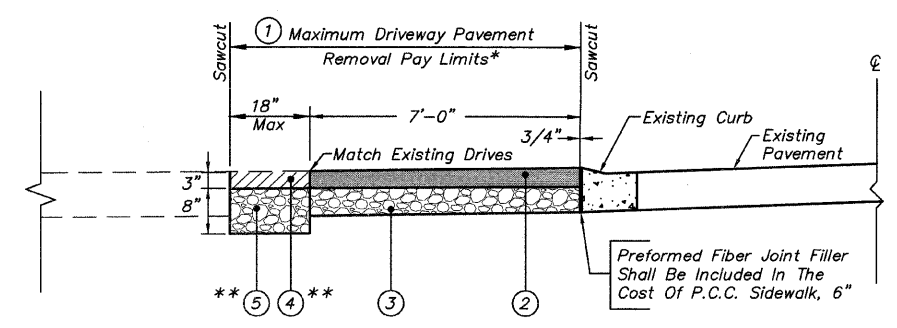


TYPICAL PROPOSED SECTION - SIDEWALK THROUGH TURF
Not to Scale

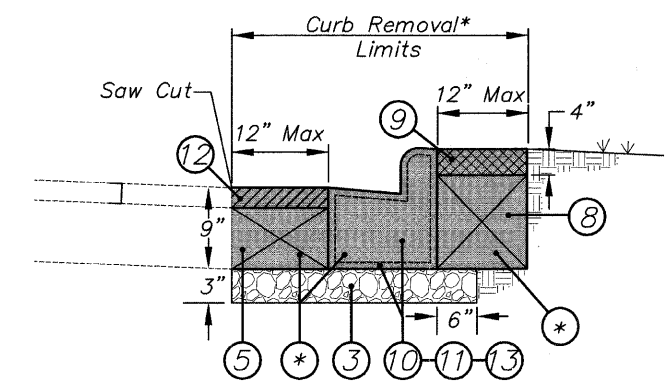


Typical Curb Removal/Replacement Adjacent to Driveway



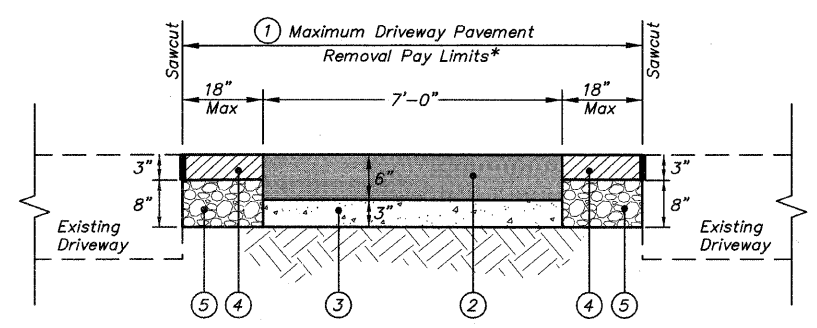
SIDEWALK ADJACENT TO CURB DETAIL
Not to Scale

** Detail Section Shown Is Through Driveway For Sidewalk Through Turf Replace (4) & (5) With (9)



Typical Curb Removal/Replacement Adjacent to Lawn

* Where Existing and Proposed Curb are not in same alignment Curb Removal shall be measured from 12 inches in front of new curb to 12" in back of old curb whichever is greater.



TYPICAL PROPOSED SECTION - SIDEWALK THROUGH DRIVEWAY
Not to Scale

* Driveway Pavement Removal Shall Include All Hot-Mix Asphalt (HMA) And Aggregate And Earth Materials To Remove And Dispose Of To The Top Of Proposed Subgrade

Legend

- (*) Curb Removal Limits Shall Include 12 Inches In Front And Back Of New Curb To Subgrade Elevation; Cost of Excavation/Disposal to be included in Price of Curb Removal
- (1) Proposed Driveway Pavement Removal
- (2) Proposed PCC Sidewalk, 6"
- (3) Proposed SubBase Granular Material, 3"
- (4) Proposed HMA Driveway Pavement
- (5) Proposed Aggregate Base Course, Ty B (Crushed)
- (6) Proposed Earth Excavation
- (7) Proposed PCC Sidewalk, 5"
- (8) Suitable Excavated Material Backfill
- (9) Proposed Landscaping:
 - Topsoil Furnish And Place, 4"
 - Seeding, Class 1
 - Mulch, Method 3
- (10) Existing Curb
- (11) Proposed Curb Removal
- (12) a) Hot Mix Asphalt Binder Course, IL-19.0, N50, 2 1/4"
b) Hot Mix Asphalt Surface Course, Mix C, N50, 1 1/2"
- (13) Proposed Combination Concrete Curb & Gutter, TypB-6.12

Hot Mix Asphalt Mixture Requirement		
Item	AC Type	Voids
Roadway & Driveway Pavement		
HMA Surface Course, Mix C, N50 (IL-9.5mm)	PG 64-22	4% @ 50 GYR
HMA Binder Course, IL-19.0, N50	PG 64-22	4% @ 50 GYR

The unit weight to calculate all HMA surface mixture quantities is 112 LB/SQ YD/IN

ILLINOIS DEPARTMENT OF TRANSPORTATION

TYPICAL SECTIONS

SCALE: NOT TO SCALE DRAWN BY: CZ

DATE: 06/11/09 CHECKED BY: RJD