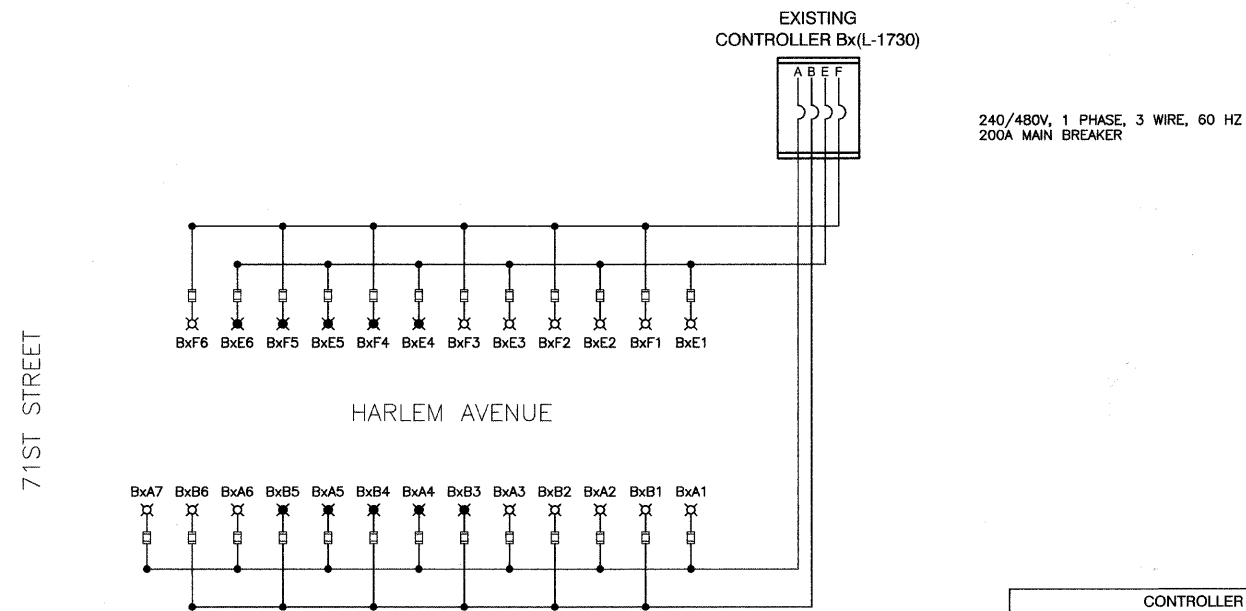
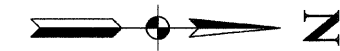


F. A. P. NO.	SECTION	COUNTY	TOTAL SHEETS	SHEET NO.
348	09-00059-00-CH	COOK	046	019
STA.		TO STA.		
FED. ROAD DIST. NO.	ILLINOIS	FED. AID PROJECT ARA-9003(340)		

CONTRACT #63269



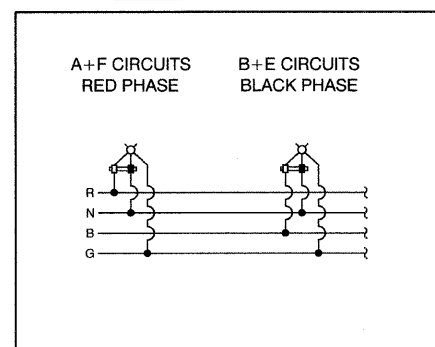
NOTES:
1. FOR EXISTING CONTROLLER DETAILS SEE RECORD DRAWINGS FOR CONTRACT # 36672

SINGLE LINE LEGEND

- ⊗ LUMINAIRE, 400W HPS, 240V, EXISTING STREET LIGHT
- ⊗ LUMINAIRE, 400W HPS, 240V, RELOCATED STREET LIGHT
- FUSE, 5.0 AMP
- FUSE HOLDER WITH SLUG
- } CIRCUIT BREAKER, 50A (PER RECORD DRAWINGS)
- CONNECTION

CONTROLLER Bx		
CIRCUIT	WATTS	AMPS
A	3164	14.00
B	2712	12.00
E	2712	12.00
F	2712	12.00
TOTAL LOAD	11,300	50.00

TYPICAL POLE WIRING



REVISIONS	
NAME	DATE

ILLINOIS DEPARTMENT OF TRANSPORTATION

FAP 348 (HARLEM AVENUE)
DRIVEWAY RECONFIGURATION
STREET LIGHTING
SINGLE LINE WIRING DIAGRAM

SCALE: VERT. NA
HORIZ. 1"=50'
DATE 08-14-09
DRAWN BY PS
CHECKED BY RJW / PAP