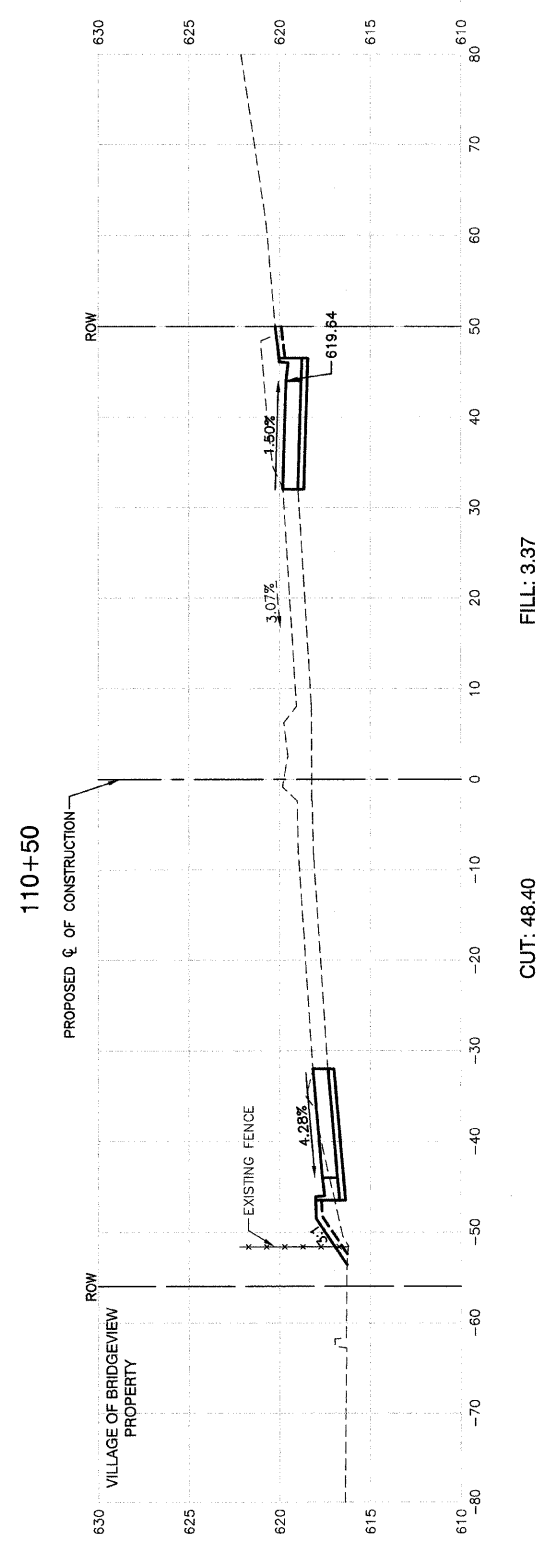


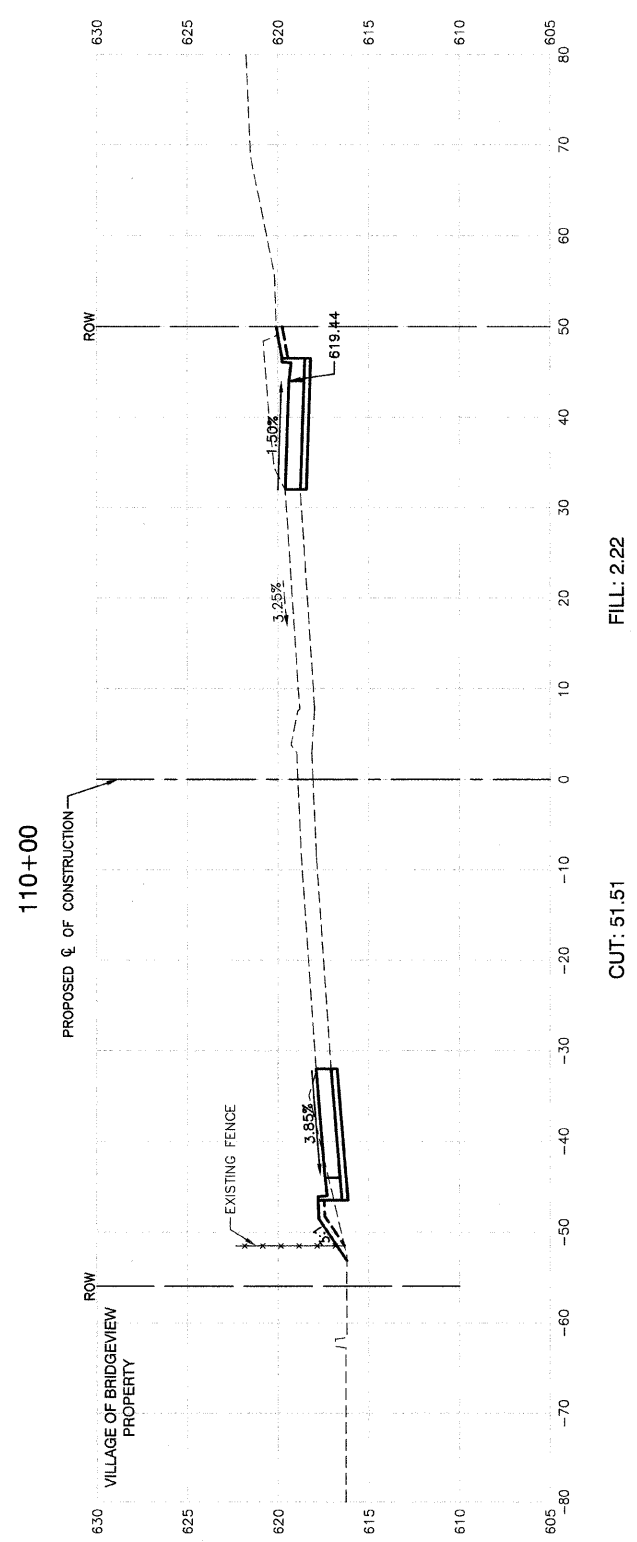
F. A. P. NO.	SECTION	COUNTY	TOTAL SHEETS	SHEET NO.
348	09-00059-00-CH	COOK	046	037
STA.		TO STA.		
FED. ROAD DIST. NO.	ILLINOIS	FED. AID PROJECT	ARA-9003(340)	

CONTRACT #63269



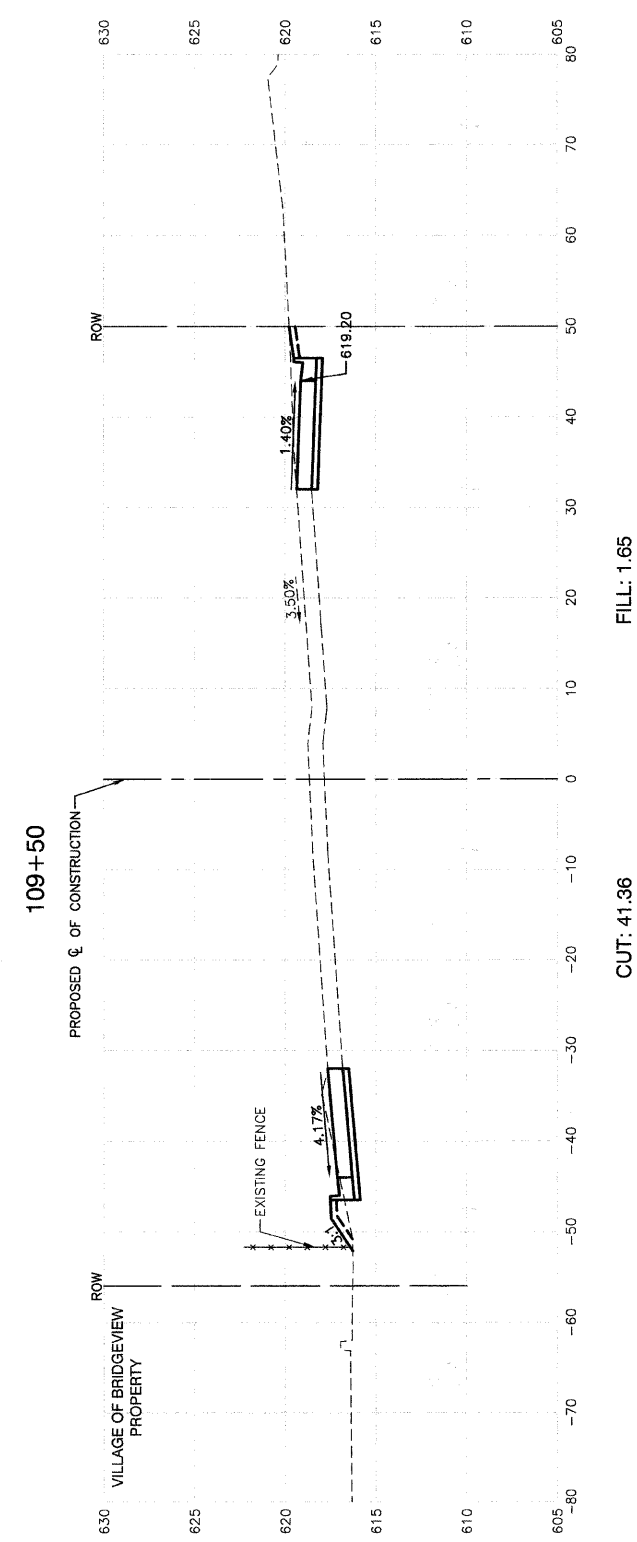
FILL: 3.37

CUT: 48.40



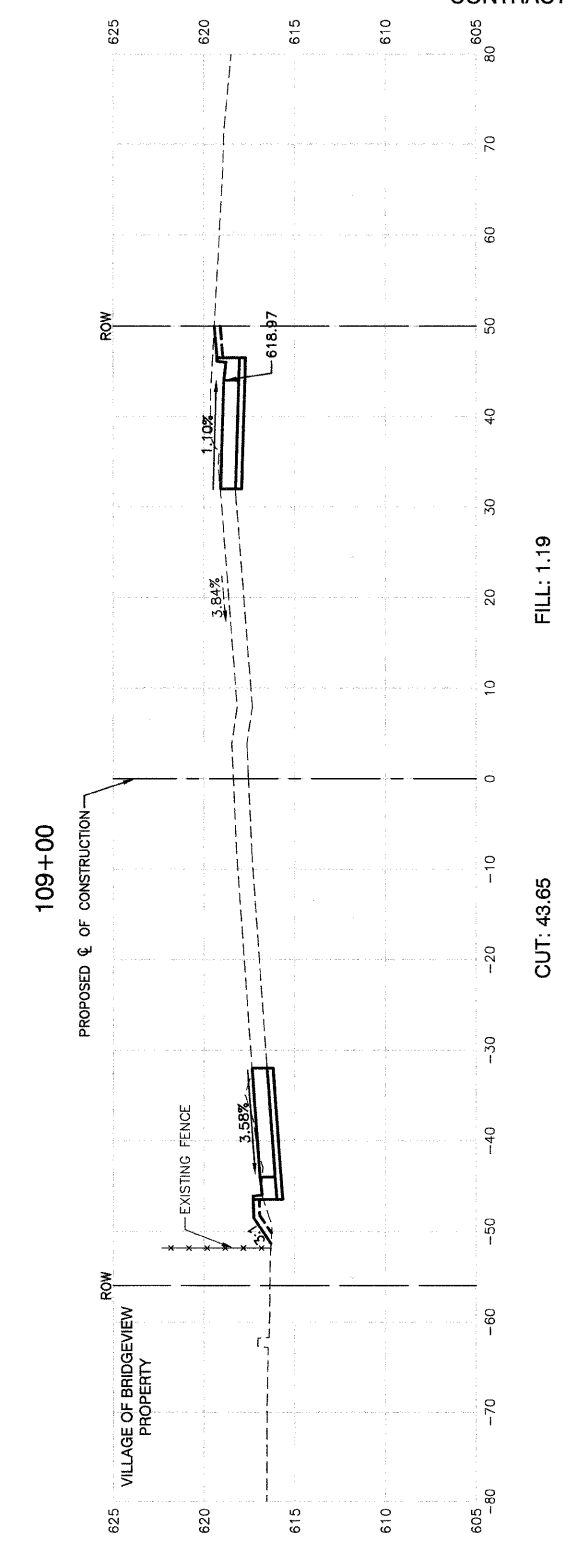
FILL: 2.22

CUT: 51.51



FILL: 1.65

CUT: 41.36



FILL: 1.19

CUT: 43.66

REVISIONS	
NAME	DATE

ILLINOIS DEPARTMENT OF TRANSPORTATION

FAP 348 (HARLEM AVENUE)
DRIVEWAY RECONFIGURATION
CROSS SECTIONS
STA. 109+00 TO STA. 110+50

SCALE: VERT. 1"=5'
HORIZ. 1"=10'

DRAWN BY PS
CHECKED BY RJW

DATE 08-14-09

ROBINSON ENGINEERING, LTD.
17000 SOUTH PARK AVENUE, SOUTH HOLLAND, ILLINOIS 60473
(708) 951-8700 FAX (708) 951-8888
ILLINOIS DESIGN FIRM REGISTRATION NO. 184601128 04517-XSEC-01 - X06