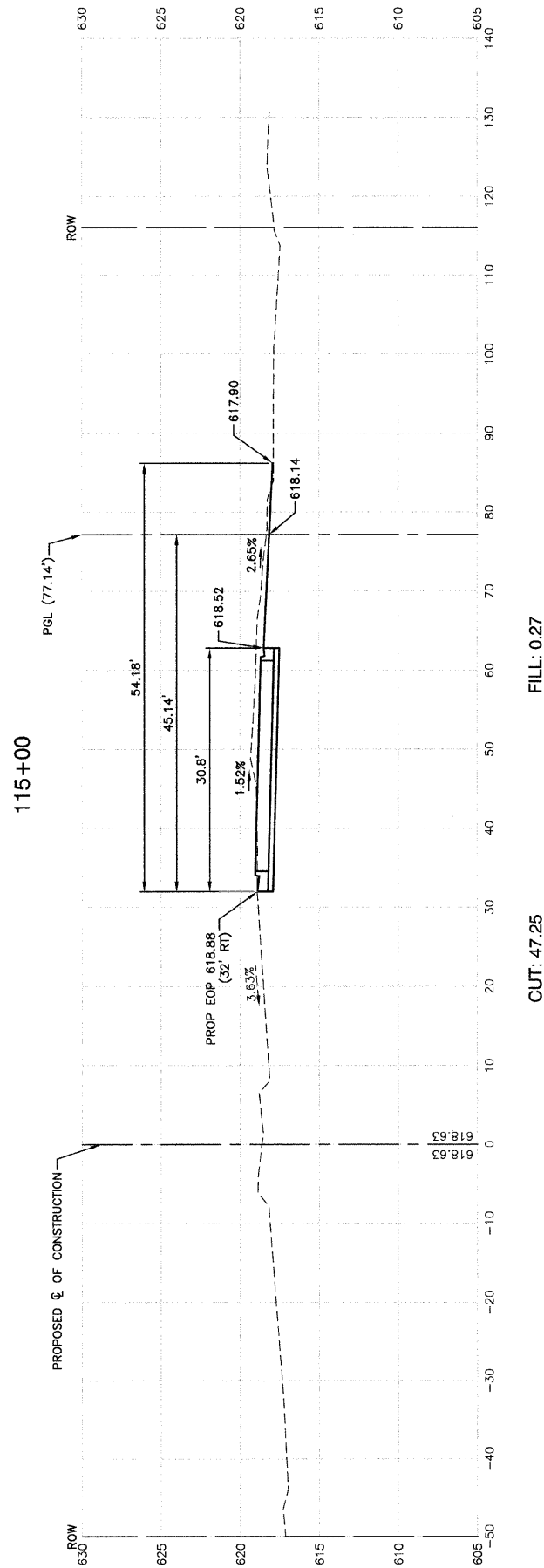


SECTION 24, TOWNSHIP 38, RANGE 12  
SECTION 19, TOWNSHIP 38, RANGE 13

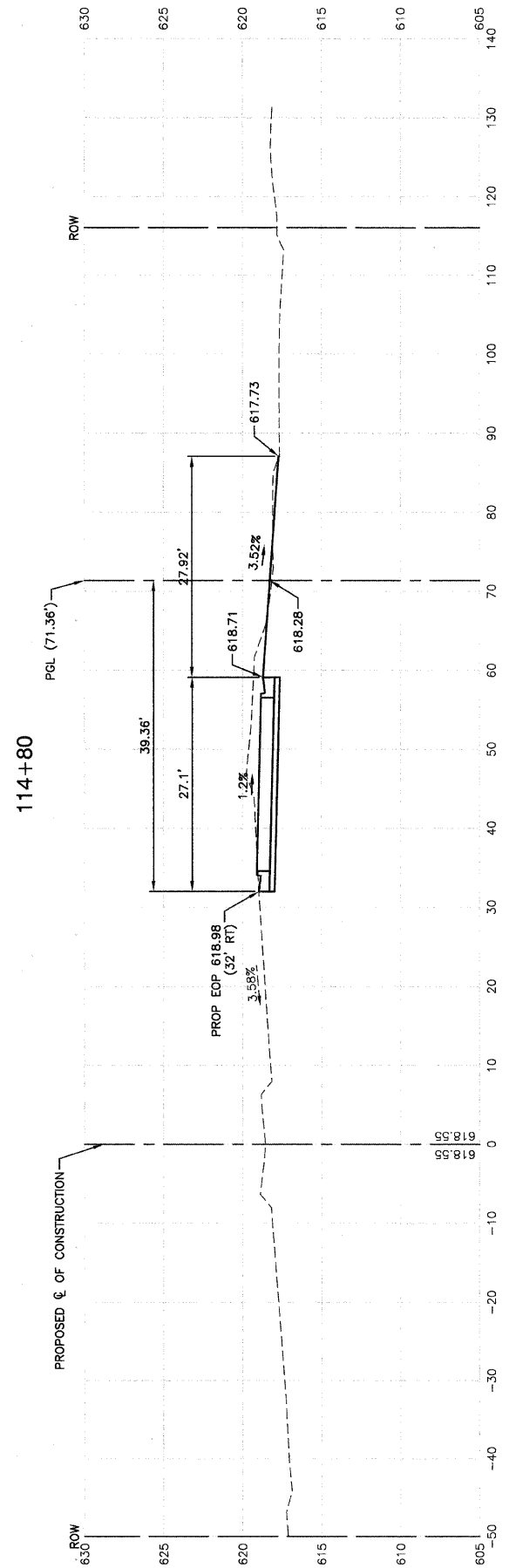
F. A. P. NO.	SECTION	COUNTY	TOTAL SHEETS	SHEET NO.
348	09-00059-00-CH	COOK	046	044
STA.		TO STA.		
FED. ROAD DIST. NO.	ILLINOIS	FED. AID PROJECT	ARA-9003(340)	

CONTRACT #63269



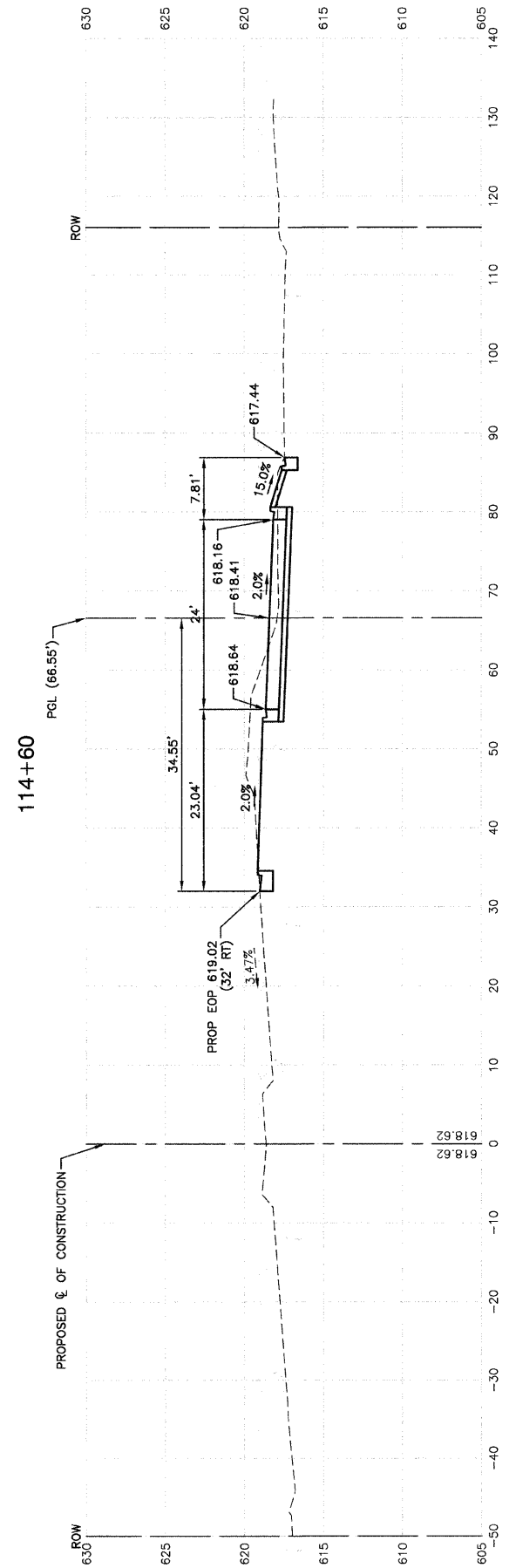
FILL: 0.27

CUT: 47.25



FILL: 0.81

CUT: 45.90



FILL: 0.27

CUT: 44.55

REVISIONS	
NAME	DATE

ILLINOIS DEPARTMENT OF TRANSPORTATION

FAP 348 (HARLEM AVENUE)  
DRIVEWAY RECONFIGURATION  
CROSS SECTIONS  
STA. 114+60 TO STA. 115+00

SCALE: VERT. 1"=5'  
HORIZ. 1"=10'  
DATE 08-14-09  
DRAWN BY PS  
CHECKED BY RJW

ROBINSON ENGINEERING, LTD.  
17000 SOUTH PARK AVENUE SOUTH HOLLAND, ILLINOIS 60473  
(708) 551-8700 FAX (708) 581-9208  
ILLINOIS DESIGN FIRM REGISTRATION NO. 184021128 04517-XSEC-01 - X13