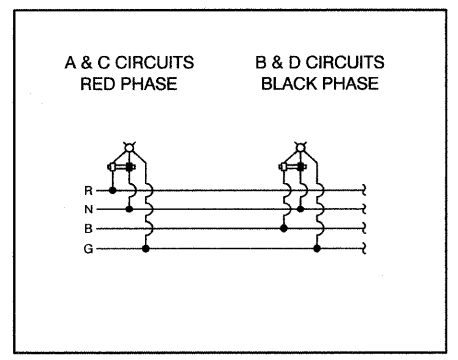


LOAD TABULATIONS CONTROLLER #1			
CIRCUIT	WATTS	AMPS @ 240V	
		RED PHASE	BLACK PHASE
A	3,262	14.50	
B	2,972		13.20
C	2,972	13.20	
D	2,972		13.20
E	0	0.00	
F	0		0.00
G	0	0.00	
H	0		0.00
SUBTOTAL	12,178	27.70	26.40
TOTAL AMPS @ 240 V		54.10	

TYPICAL POLE WIRING



LEGEND

- ⊗ LUMINAIRE, 250W HPS, 240V
- ⊗ LUMINAIRE, 310W HPS, 240V
- FUSE, 3.5 AMP
- FUSE, 4.0 AMP
- A1 LUMINAIRE CIRCUIT
- ⌋ CIRCUIT BREAKER
- CONNECTION



FILE NAME = 08295_02-DTLS-01 - P01	USER NAME =	DESIGNED -- PAP	REVISED --	STATE OF ILLINOIS DEPARTMENT OF TRANSPORTATION	115TH STREET RIDGELAND AVENUE TO CENTRAL AVENUE SINGLE LINE WIRING DIAGRAM		F.A.U. RTE. 1583	SECTION 08-00086-00-LT	COUNTY COOK	TOTAL SHEETS 11	SHEET NO. 6	
	PLOT SCALE = N/A	CHECKED -- EJT	REVISED --		SCALE: N/A	SHEET NO. 6	OF 11 SHEETS	STA.	TO STA.	CONTRACT NO. 63270		
	PLOT DATE = 08-10-09	DRAWN -- MJD	REVISED --		FED. ROAD DIST. NO. 1 ILLINOIS FED. AID PROJECT M-9003 (087)							
		CHECKED -- DWS	REVISED --									