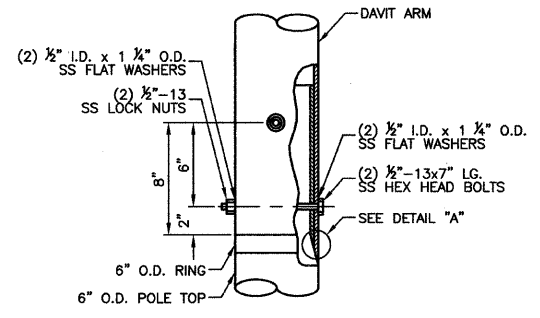
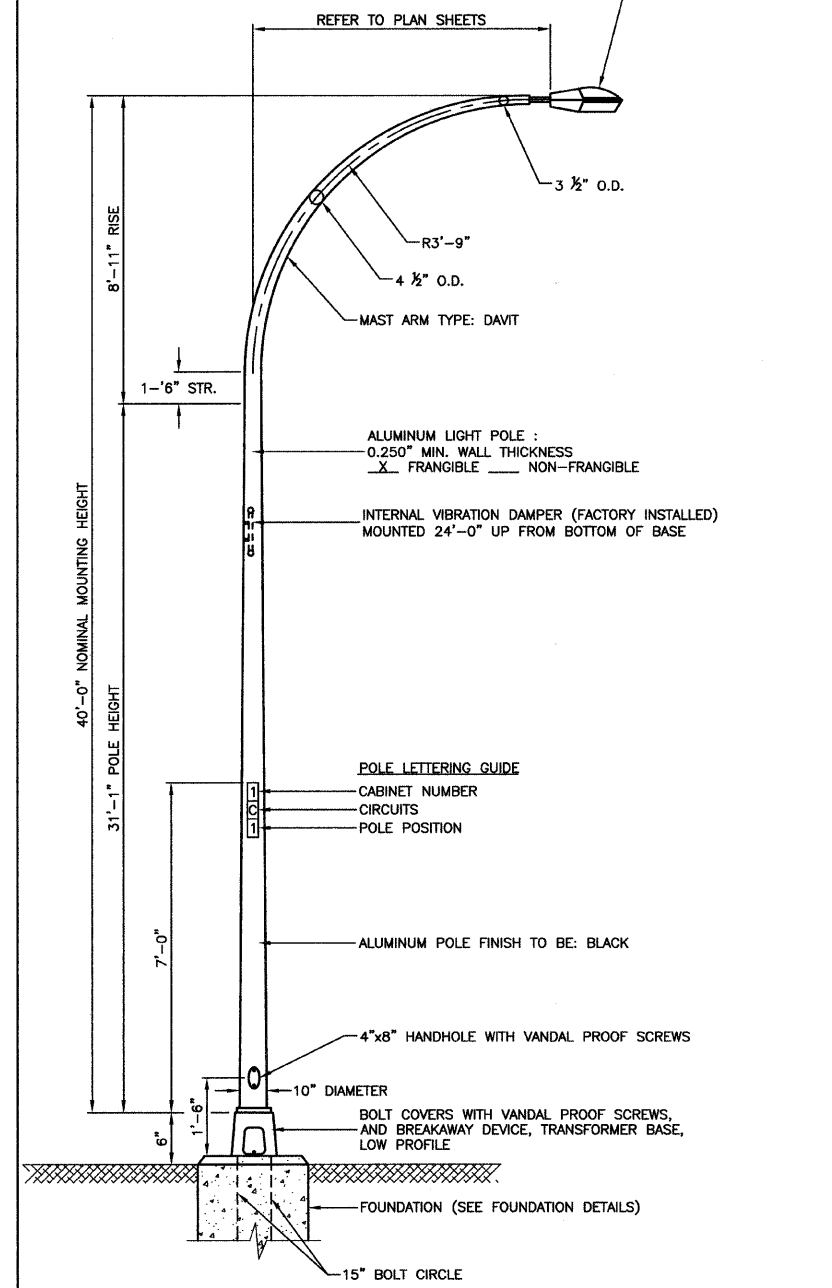
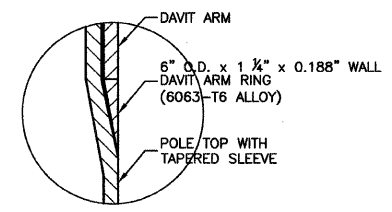


LUMINAIRE: FINISH TO BE BLACK
 250 WATT HIGH PRESSURE SODIUM LAMP
 240 VOLT BALLAST
 I.E.S. TYPE: MC III LIGHT DISTRIBUTION
 LENS TYPE: FLAT
 INITIAL LAMP LUMENS: 28,000
 LAMP LIFE: 24,000 HOURS

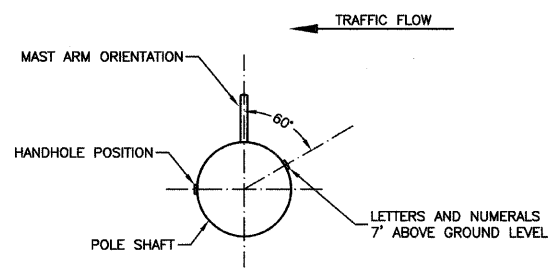
LUMINAIRE: FINISH TO BE BLACK
 310 WATT HIGH PRESSURE SODIUM LAMP
 240 VOLT BALLAST
 I.E.S. TYPE: MC III LIGHT DISTRIBUTION
 LENS TYPE: FLAT
 INITIAL LAMP LUMENS: 37,000
 LAMP LIFE: 24,000 HOURS



CONNECTION DETAIL

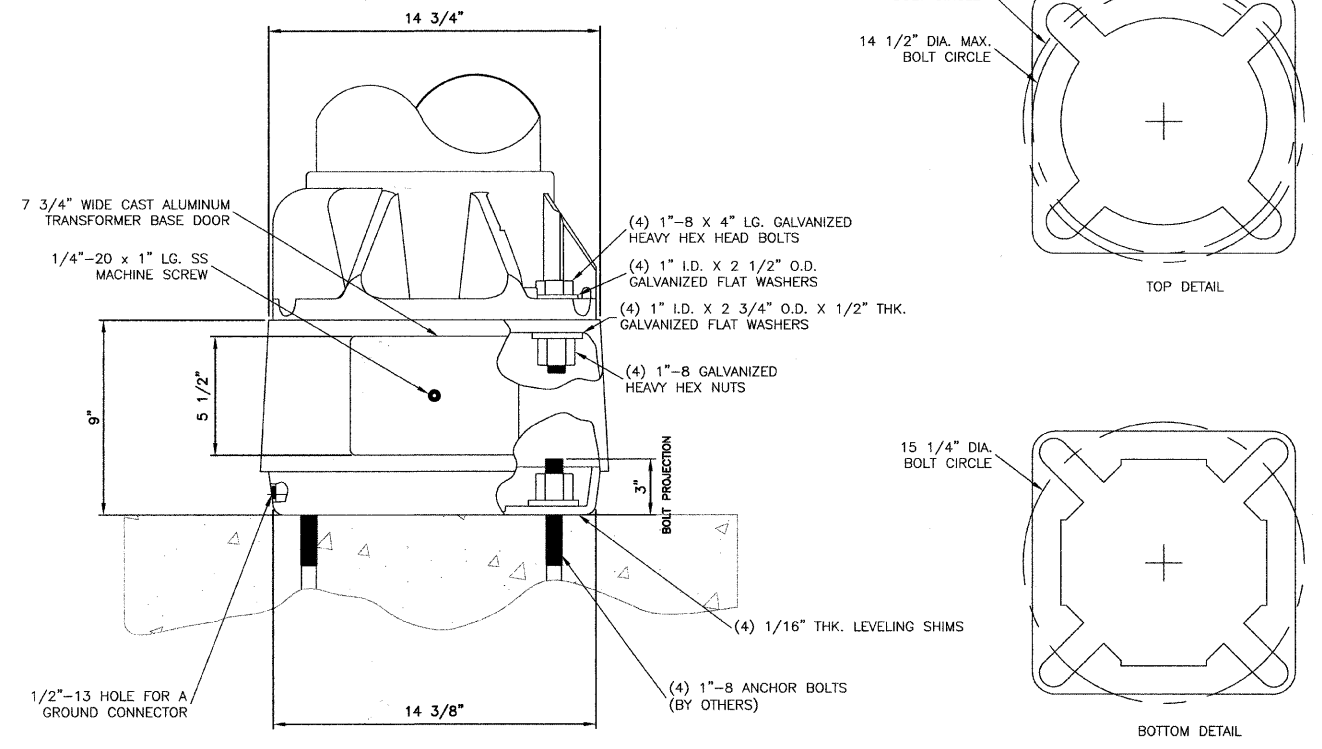


DETAIL "A"



POSITION OF HANDHOLE AND NUMERALS ON POLE

IMPORTANT NOTE:
 TRANSFORMER BASE AND LIGHTPOLE
 TO BE LEVELED AS ONE UNIT. USING
 LEVELING SHIMS IF REQUIRED.



TRANSFORMER BASE DETAIL

- NOTES:
1. THE LIGHTING UNITS SHALL MEET AASHTO DESIGN CRITERIA. DESIGN FOR 90 M.P.H. WIND WITH 30% GUST AND 75 POUND LUMINAIRE HAVING AN E.P.A. OF 1.6 SQ. FT. AND PROPER ICE LOADING.
 2. ALUMINUM ALLOY 6063-T6 SHALL BE USED.

TYPICAL POLE INSTALLATION (40' MH)

FILE NAME = 08295_02-DTLS-01 - P02	USER NAME =	DESIGNED — PAP	REVISED —	STATE OF ILLINOIS DEPARTMENT OF TRANSPORTATION	115TH STREET RIDGELAND AVENUE TO CENTRAL AVENUE STREET LIGHTING DETAILS	F.A.U. RTE.	SECTION	COUNTY	TOTAL SHEETS	SHEET NO.
	PLOT SCALE = N/A	CHECKED — EJT	REVISED —			1583	08-00086-00-LT	COOK	11	7
	PLOT DATE = 08-10-09	DRAWN — MJD	REVISED —			CONTRACT NO. 63270				
		CHECKED — DWS	REVISED —			FED. ROAD DIST. NO. 1 ILLINOIS FED. AID PROJECT M-9003 (087)				

