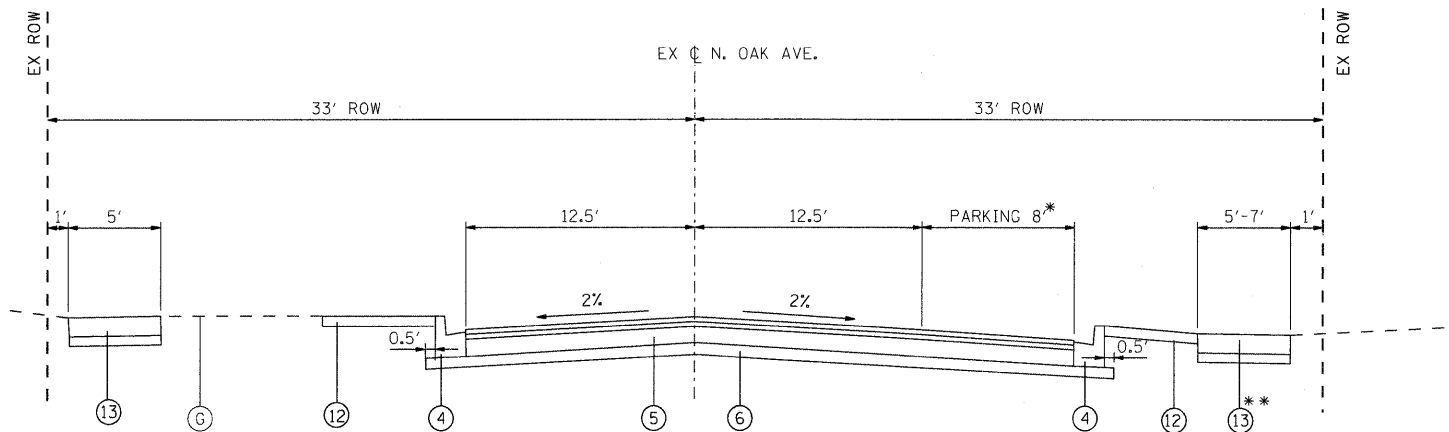
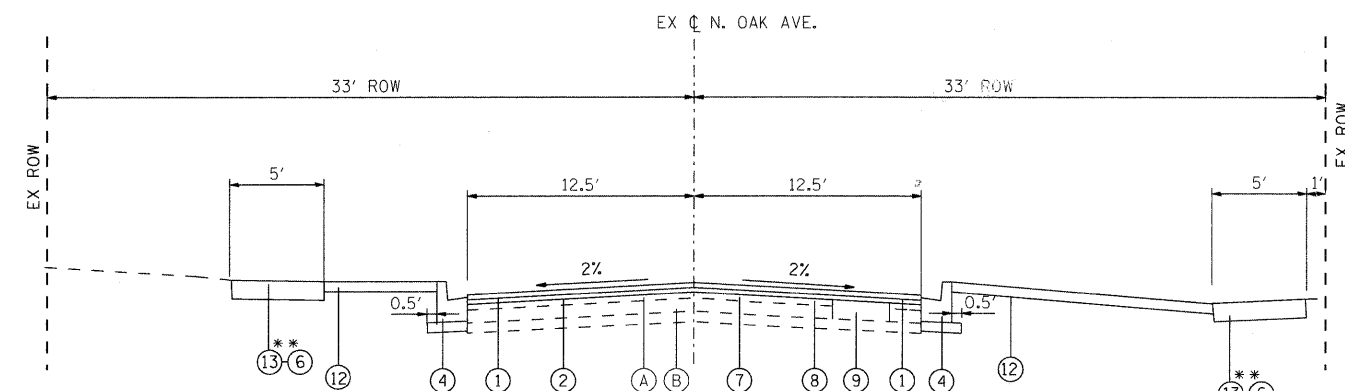


PROPOSED TYPICAL SECTION
NORTH OAK AVENUE (ONEIDA AVE TO NORTH AVE)
 STA 100+32 TO STA 108+75

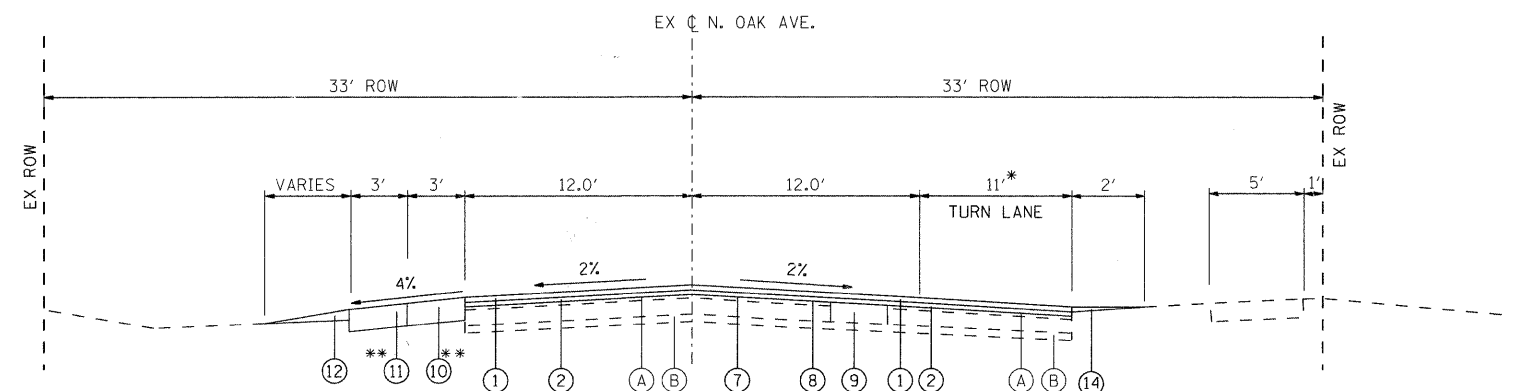


PROPOSED TYPICAL SECTION
NORTH OAK AVENUE (NORTH AVE TO MORSE AVE)
 STA 108+75 TO STA 115+33

* PARKING AREA
 STA 108+75 TO STA 112+57.5
 ** PROPOSED SIDEWALK
 STA 108+75 TO STA 114+73.26



PROPOSED TYPICAL SECTION
NORTH OAK AVENUE (MORSE AVE TO HICKORY AVE)
 STA 115+33 TO STA 126+00



PROPOSED TYPICAL SECTION
NORTH OAK AVENUE (HICKORY AVE TO US 20)
 STA 126+00 TO STA 140+20

** SHOULDER FROM STA. 127+00 TO STA. 139+56
 * TURN LANE ENDS AT STA. 135+12

EXISTING TYPICAL SECTION LEGEND

- (A) HOT-MIX ASPHALT PAVEMENT; DEPTH VARIES
- (B) SUB-BASE GRANULAR MATERIAL
- (C) AGGREGATE SHOULDERS
- (D) HOT-MIX ASPHALT SHOULDERS
- (E) COMBINATION CONCRETE CURB AND GUTTER
- (F) PCC SIDEWALK
- (G) PARKWAY
- (H) HOT-MIX ASPHALT SURFACE REMOVAL, 3-1/2"

PROPOSED TYPICAL SECTION LEGEND

- (1) HOT-MIX ASPHALT SURFACE COURSE, MIX "D", N70, 1-1/2"
- (2) HOT-MIX ASPHALT BINDER COURSE, IL 19.0, N70, 2-1/4"
- (3) COMBINATION CONCRETE CURB AND GUTTER REMOVAL AND REPLACEMENT (AS DIRECTED BY THE RESIDENT ENGINEER)
- (4) COMBINATION CONCRETE CURB AND GUTTER, TYPE B-6.12
- (5) HMA FULL DEPTH PAVEMENT, 10"
- (6) SUB-BASE GRANULAR MATERIAL, TYPE B, 4"
- (7) BITUMINOUS MATERIALS (PRIME COAT)
- (8) AGGREGATE (PRIME COAT)
- (9) CLASS D PATCHES, 8-INCH (AS DIRECTED BY THE RESIDENT ENGINEER)
- (10) HOT-MIX ASPHALT SHOULDERS, 6"
- (11) AGGREGATE SHOULDERS, TYPE B, 6"
- (12) SODDING, SALT TOLERANT (SPECIAL)
- (13) PORTLAND CEMENT CONCRETE SIDEWALK, 5"
- (14) AGGREGATE WEDGE SHOULDER, TYPE B

COMPANY NAME: SEC GROUP, INC.
 PROJECT CONTACT: J. MELHUISH
 CLIENT: VILLAGE OF BARTLETT
 DATE PLOTTED: 8/31/2009 10:52:32 PM
 PLOT DATE: 8/31/2009
 PLOT DRIVER: c:\p1\sec\p1\sec-tp-oak-02.dgn
 PEN TABLE: standard-trans.tbl



USER NAME = jmelhuish	DESIGNED - J. MELHUISH	REVISED -
FILE NAME = 090196-tp-oak-02.dgn	DRAWN - S. PERMAL	REVISED -
PLOT SCALE = N.T.S.	CHECKED - T. HAMILTON	REVISED -
PLOT DATE = 8/31/2009	DATE - 8/3/09	REVISED -

STATE OF ILLINOIS
DEPARTMENT OF TRANSPORTATION

TYPICAL SECTIONS	
NORTH OAK AVENUE	
SCALE: N.T.S.	SHEET NO. 3 OF 3 SHEETS
STA.	TO STA.

F.A.U. RTE.	SECTION	COUNTY	TOTAL SHEETS	SHEET NO.
2537	09-00084-00-RS	COOK	53	6
CONTRACT NO.			63274	
FED. ROAD DIST. NO. ILLINOIS FED. AID PROJECT ARA-9003 (345)				