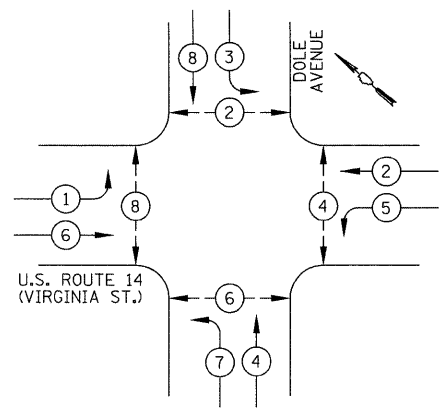
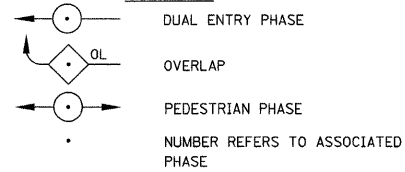


TEMPORARY CONTROLLER SEQUENCE

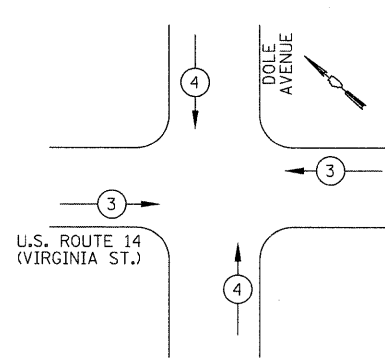


LEGEND



TEMPORARY PHASE DESIGNATION DIAGRAM

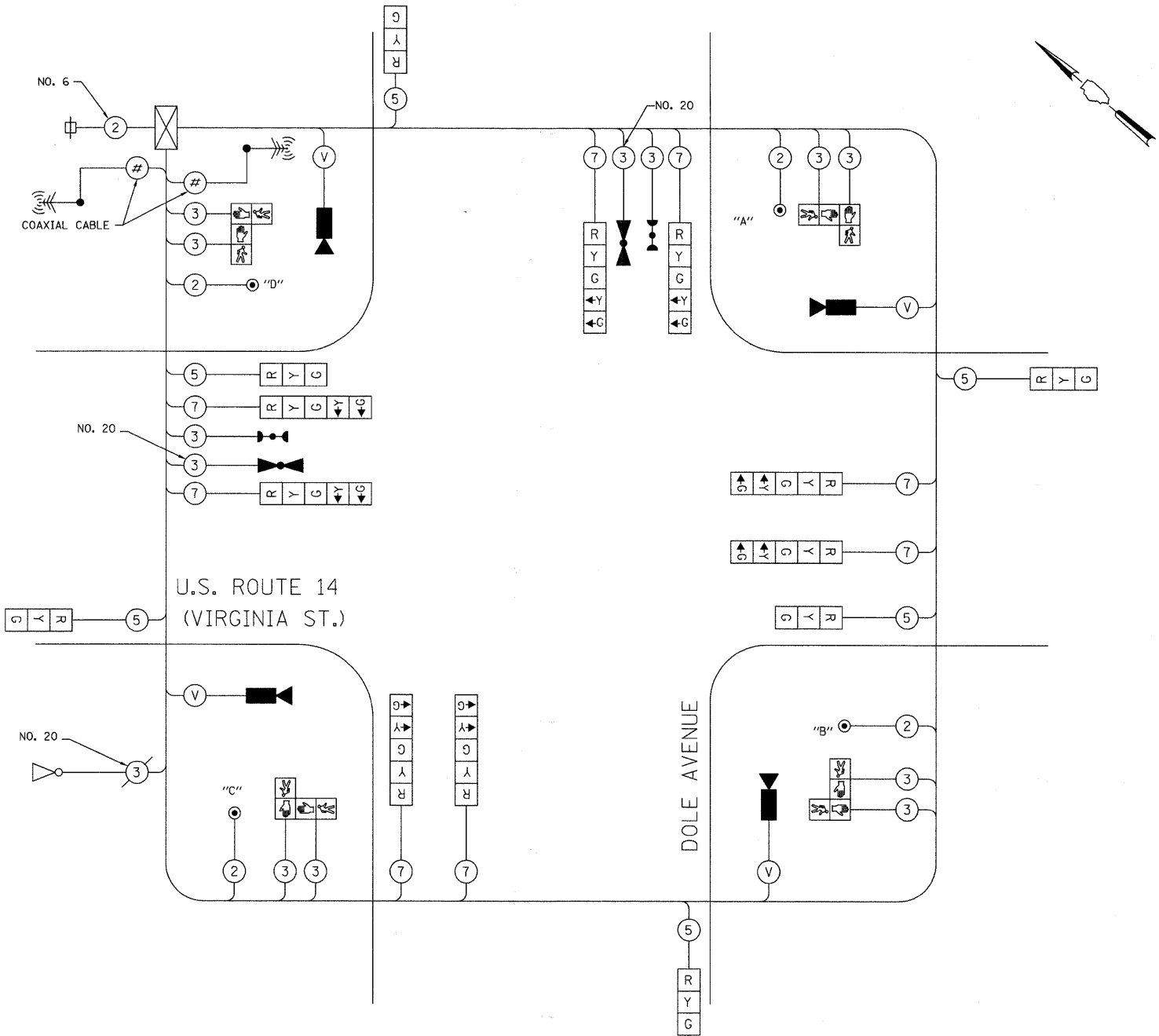
TEMPORARY EMERGENCY VEHICLE PREEMPTION SEQUENCE



PROPOSED TEMPORARY EMERGENCY VEHICLE PREEMPTORS		
EMERGENCY VEHICLE PREEMPTOR	3	4
MOVEMENT	← →	↑ ↓

TEMPORARY CABLE PLAN LEGEND

- R TEMPORARY TRAFFIC SIGNAL SECTION OR PEDESTRIAN SIGNAL SECTION 12" (300mm)
- # TEMPORARY CONTROLLER CABINET
- ⊕ SERVICE INSTALLATION
- 2 INDICATES NUMBER OF CONDUCTORS IN CABLE. ALL CONDUCTORS TO BE NUMBER 14 AWG WIRE UNLESS OTHERWISE NOTED
- ▶ CONFIRMATION BEACON
- ▶ EMERGENCY VEHICLE LIGHT DETECTOR
- VEHICLE DETECTOR, INDUCTION LOOP
- PEDESTRIAN PUSHBUTTON DETECTOR
- ▶ 12" (300mm) PEDESTRIAN SIGNAL SECTION
- ▶ VIDEO VEHICLE DETECTOR
- ⊕ PROPOSED ANTENNA
- # COAXIAL CABLE
- V VENDOR CABLE



TEMPORARY CABLE PLAN

NOT TO SCALE

NOTE:
 PUSH-BUTTON "A" SHALL PLACE A CALL TO PHASES 2 AND 4
 PUSH-BUTTON "B" SHALL PLACE A CALL TO PHASES 4 AND 6
 PUSH-BUTTON "C" SHALL PLACE A CALL TO PHASES 6 AND 8
 PUSH-BUTTON "D" SHALL PLACE A CALL TO PHASES 8 AND 2

NOTE:
 THE TRAFFIC SIGNAL CONTROLLER EQUIPMENT FOR THIS PROJECT SHALL BE "ECONOLITE" TO MATCH THE EXISTING ADJACENT SYSTEM.

I.D.O.T. TRAFFIC SIGNAL INSTALLATION ELECTRICAL SERVICE REQUIREMENTS					TOTAL WATTAGE
TYPE	NO. LAMPS	WATTAGE INCAND.	LED	% OPERATION	
SIGNAL (RED)	14		17	0.50	119
(YELLOW)	14		25	0.25	88
(GREEN)	14		15	0.25	53
ARROW	16		12	0.10	19
PED. SIGNAL	8		25	1.00	200
CONTROLLER	1		100	1.00	100
VIDEO SYSTEMS	1		150	1.00	150
FLASHER				0.50	
TOTAL =					729

ENERGY COSTS TO: CITY OF CRYSTAL LAKE
 100 WEST MUNICIPAL COMPLEX, P.O. BOX 597
 CRYSTAL LAKE, IL 60039
 CONTACT: LISA COOK
 PHONE: (815) 477-5204
 COMPANY: COM ED

FILE NAME =	USER NAME =	DESIGNED - BRD	REVISED
		DRAWN - OJT	REVISED
		CHECKED - JJE	REVISED
		DATE 8-31-09	REVISED

STATE OF ILLINOIS
 DEPARTMENT OF TRANSPORTATION

TEMPORARY CABLE PLAN, TEMPORARY PHASE DESIGNATION DIAGRAM,
 AND TEMPORARY EMERGENCY VEHICLE PREEMPTION SEQUENCE
 U.S. ROUTE 14 (VIRGINIA ST.) AND DOLE AVENUE

SCALE: NONE SHEET NO. 4 OF 24 SHEETS

F.A.P. RTE.	SECTION	COUNTY	TOTAL SHEETS	SHEET NO.
305	09-00112-00-TL	McHENRY	24	4
CONTRACT NO. 63275				
FED. ROAD DIST. NO. 7 ILLINOIS		FED. AID PROJECT ARA-9003(419)		