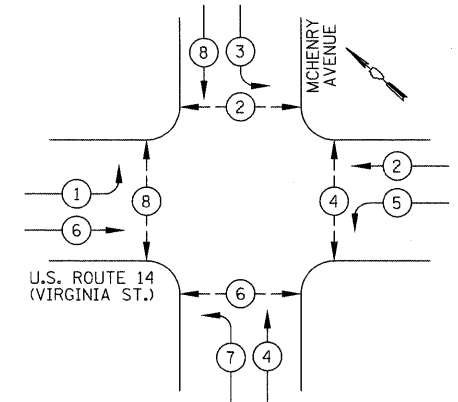
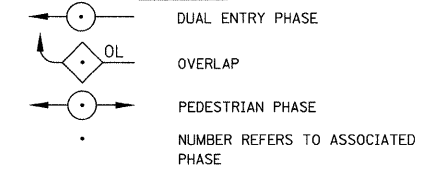


TEMPORARY CONTROLLER SEQUENCE

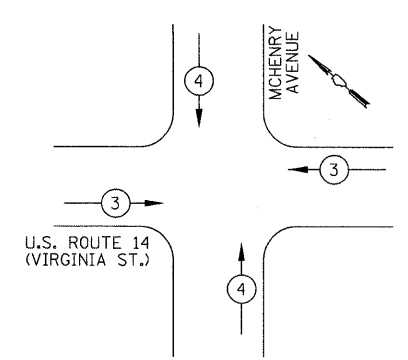


LEGEND



TEMPORARY PHASE DESIGNATION DIAGRAM

TEMPORARY EMERGENCY VEHICLE PREEMPTION SEQUENCE

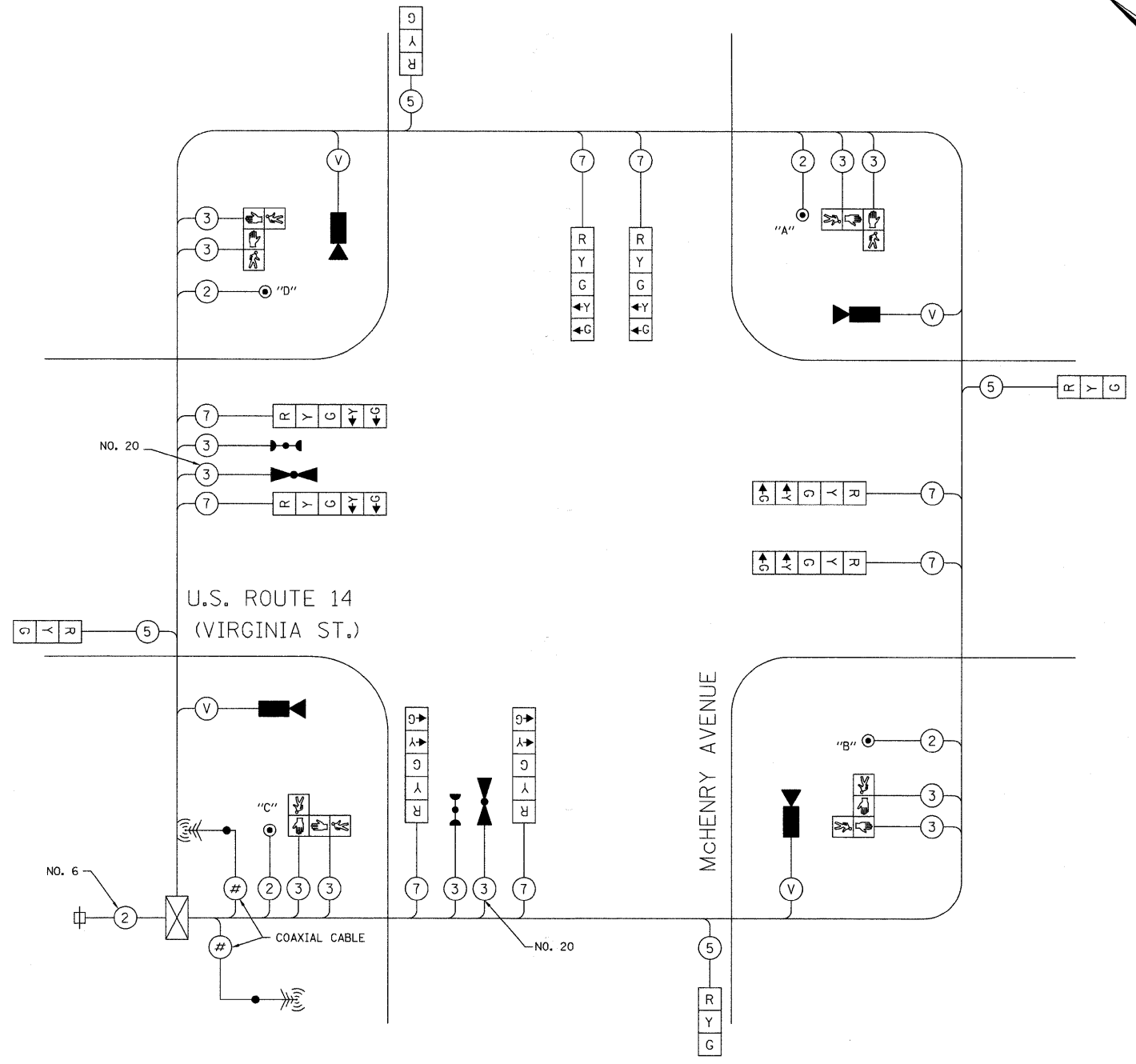


PROPOSED TEMPORARY EMERGENCY VEHICLE PREEMPTORS		
EMERGENCY VEHICLE PREEMPTOR	3	4
MOVEMENT	← →	↑ ↓

TEMPORARY CABLE PLAN LEGEND

- R TEMPORARY TRAFFIC SIGNAL SECTION OR PEDESTRIAN SIGNAL SECTION 12" (300mm)
- X TEMPORARY CONTROLLER CABINET
- SERVICE INSTALLATION
- 2 INDICATES NUMBER OF CONDUCTORS IN CABLE. ALL CONDUCTORS TO BE NUMBER 14 AWG WIRE UNLESS OTHERWISE NOTED
- CONFIRMATION BEACON
- EMERGENCY VEHICLE LIGHT DETECTOR
- VEHICLE DETECTOR, INDUCTION LOOP
- PEDESTRIAN PUSHBUTTON DETECTOR
- 12" (300mm) PEDESTRIAN SIGNAL SECTION
- VIDEO VEHICLE DETECTOR
- PROPOSED ANTENNA
- # COAXIAL CABLE
- V VENDOR CABLE

NOTE:  
THE TRAFFIC SIGNAL CONTROLLER EQUIPMENT FOR THIS PROJECT SHALL BE "ECONOLITE" TO MATCH THE EXISTING ADJACENT SYSTEM.



TEMPORARY CABLE PLAN

NOT TO SCALE

NOTE:  
PUSH-BUTTON "A" SHALL PLACE A CALL TO PHASES 2 AND 4  
PUSH-BUTTON "B" SHALL PLACE A CALL TO PHASES 4 AND 6  
PUSH-BUTTON "C" SHALL PLACE A CALL TO PHASES 6 AND 8  
PUSH-BUTTON "D" SHALL PLACE A CALL TO PHASES 8 AND 2

I.D.O.T. TRAFFIC SIGNAL INSTALLATION ELECTRICAL SERVICE REQUIREMENTS					TOTAL WATTAGE
TYPE	NO. LAMPS	WATTAGE INCAND.	LED	% OPERATION	
SIGNAL (RED)	12		17	0.50	102
(YELLOW)	12		25	0.25	75
(GREEN)	12		15	0.25	45
ARROW	16		12	0.10	19
PED. SIGNAL	8		25	1.00	200
CONTROLLER	1		100	1.00	100
VIDEO SYSTEMS	1		150	1.00	150
FLASHER				0.50	
TOTAL =					691

ENERGY COSTS TO: CITY OF CRYSTAL LAKE  
100 WEST MUNICIPAL COMPLEX, P.O. BOX 597  
CRYSTAL LAKE, IL 60039  
CONTACT: LISA COOK  
PHONE: (815) 477-5204  
COMPANY: COM ED