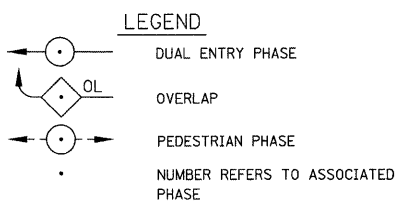
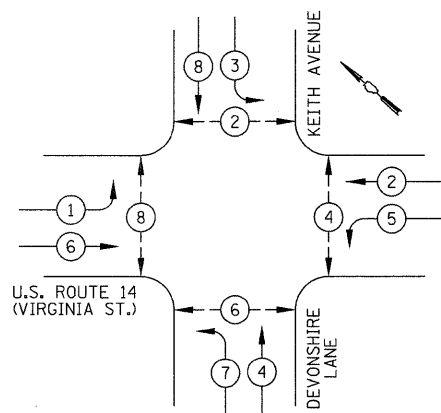
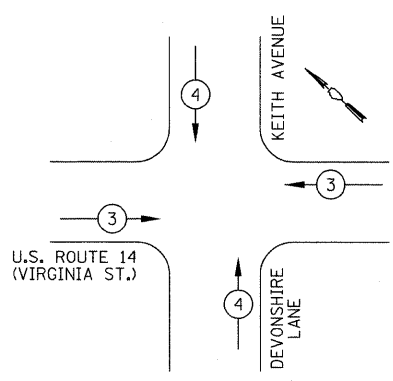


TEMPORARY CONTROLLER SEQUENCE



TEMPORARY EMERGENCY VEHICLE PREEMPTION SEQUENCE



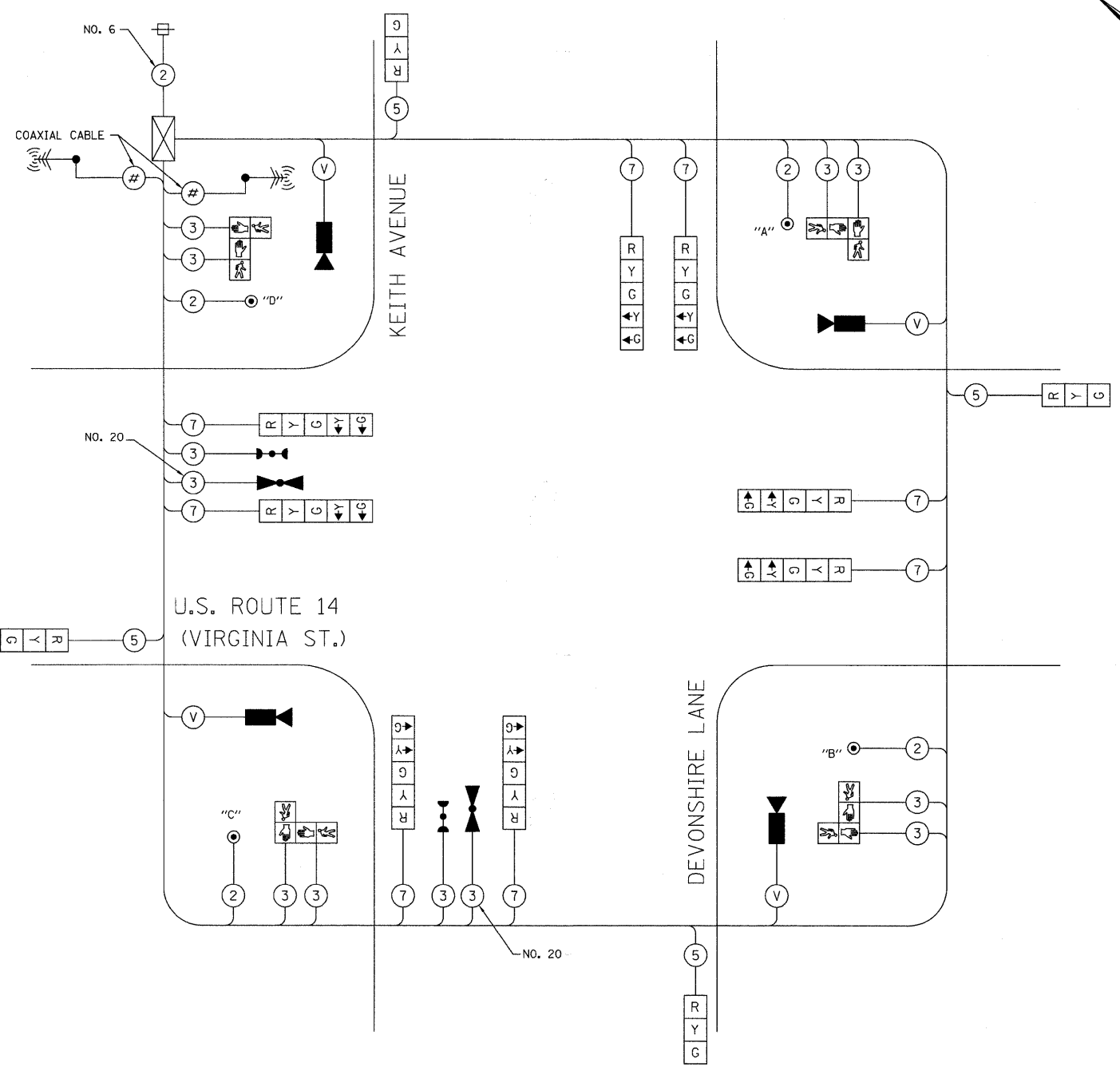
PROPOSED TEMPORARY EMERGENCY VEHICLE PREEMPTORS		
EMERGENCY VEHICLE PREEMPTOR	3	4
MOVEMENT	← →	↑ ↓

TEMPORARY PHASE DESIGNATION DIAGRAM

TEMPORARY CABLE PLAN LEGEND

- TEMPORARY TRAFFIC SIGNAL SECTION OR PEDESTRIAN SIGNAL SECTION 12" (300mm)
- TEMPORARY CONTROLLER CABINET
- SERVICE INSTALLATION
- INDICATES NUMBER OF CONDUCTORS IN CABLE. ALL CONDUCTORS TO BE NUMBER 14 AWG WIRE UNLESS OTHERWISE NOTED
- CONFIRMATION BEACON
- EMERGENCY VEHICLE LIGHT DETECTOR
- VEHICLE DETECTOR, INDUCTION LOOP
- PEDESTRIAN PUSHBUTTON DETECTOR
- 12" (300mm) PEDESTRIAN SIGNAL SECTION
- VIDEO VEHICLE DETECTOR
- PROPOSED ANTENNA
- COAXIAL CABLE
- VENDOR CABLE

NOTE:  
THE TRAFFIC SIGNAL CONTROLLER EQUIPMENT FOR THIS PROJECT SHALL BE "ECONOLITE" TO MATCH THE EXISTING ADJACENT SYSTEM.



TEMPORARY CABLE PLAN

NOT TO SCALE

NOTE:  
PUSH-BUTTON "A" SHALL PLACE A CALL TO PHASES 2 AND 4  
PUSH-BUTTON "B" SHALL PLACE A CALL TO PHASES 4 AND 6  
PUSH-BUTTON "C" SHALL PLACE A CALL TO PHASES 6 AND 8  
PUSH-BUTTON "D" SHALL PLACE A CALL TO PHASES 8 AND 2

I.D.O.T. TRAFFIC SIGNAL INSTALLATION ELECTRICAL SERVICE REQUIREMENTS					TOTAL WATTAGE
TYPE	NO. LAMPS	WATTAGE		% OPERATION	
SIGNAL (RED)	12	INCAND.	17	0.50	102
(YELLOW)	12		25	0.25	75
(GREEN)	12		15	0.25	45
ARROW	16		12	0.10	19
PED. SIGNAL	8		25	1.00	200
CONTROLLER	1		100	1.00	100
VIDEO SYSTEMS	1		150	1.00	150
FLASHER				0.50	
				TOTAL =	691

ENERGY COSTS TO: CITY OF CRYSTAL LAKE  
100 WEST MUNICIPAL COMPLEX, P.O. BOX 597  
CRYSTAL LAKE, IL 60039

ENERGY SUPPLY: CONTACT: LISA COOK  
PHONE: (815) 477-5204  
COMPANY: COM ED

FILE NAME =	USER NAME =	DESIGNED - BRD	REVISED
		DRAWN - OJT	REVISED
		CHECKED - JJE	REVISED
		DATE 8-31-09	REVISED -

STATE OF ILLINOIS  
DEPARTMENT OF TRANSPORTATION

TEMPORARY CABLE PLAN, TEMPORARY PHASE DESIGNATION DIAGRAM,  
AND TEMPORARY EMERGENCY VEHICLE PREEMPTION SEQUENCE  
U.S. ROUTE 14 (VIRGINIA ST.) AND DEVONSHIRE LANE/KEITH AVENUE

SCALE: NONE SHEET NO. 12 OF 24 SHEETS

F.A.P. RTE.	SECTION	COUNTY	TOTAL SHEETS	SHEET NO.
305	09-00112-00-TL	McHENRY	24	12
FED. ROAD DIST. NO. 7 ILLINOIS			FED. AID PROJECT ARA-9003(419)	