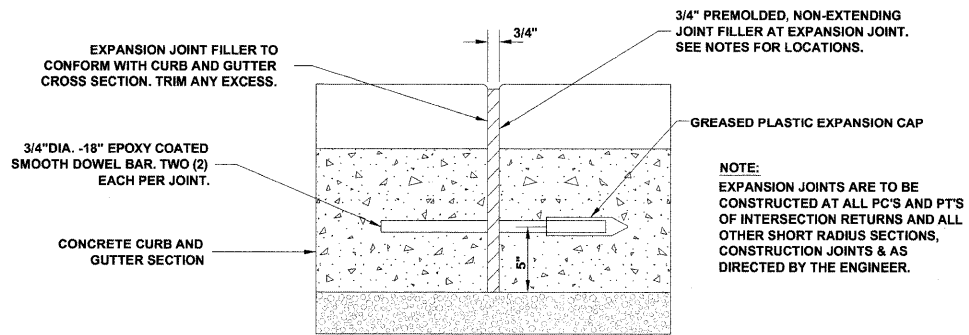
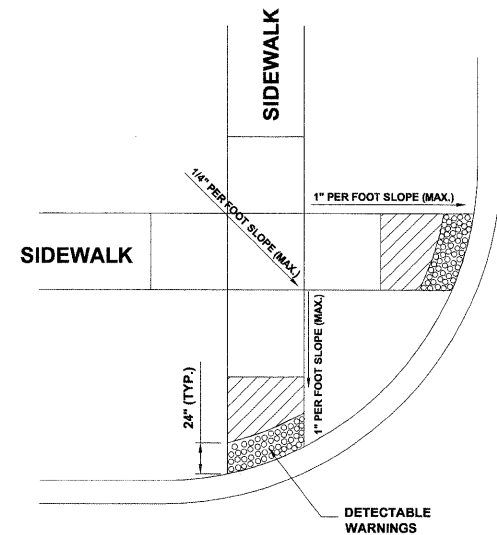


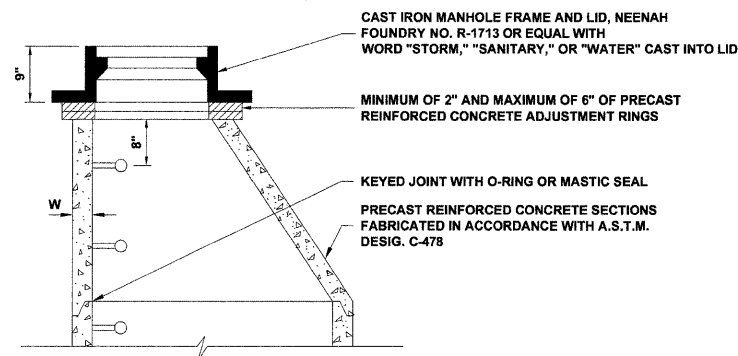
**COMBINATION CONCRETE CURB & GUTTER
TYPE B-6.12 (MODIFIED)**



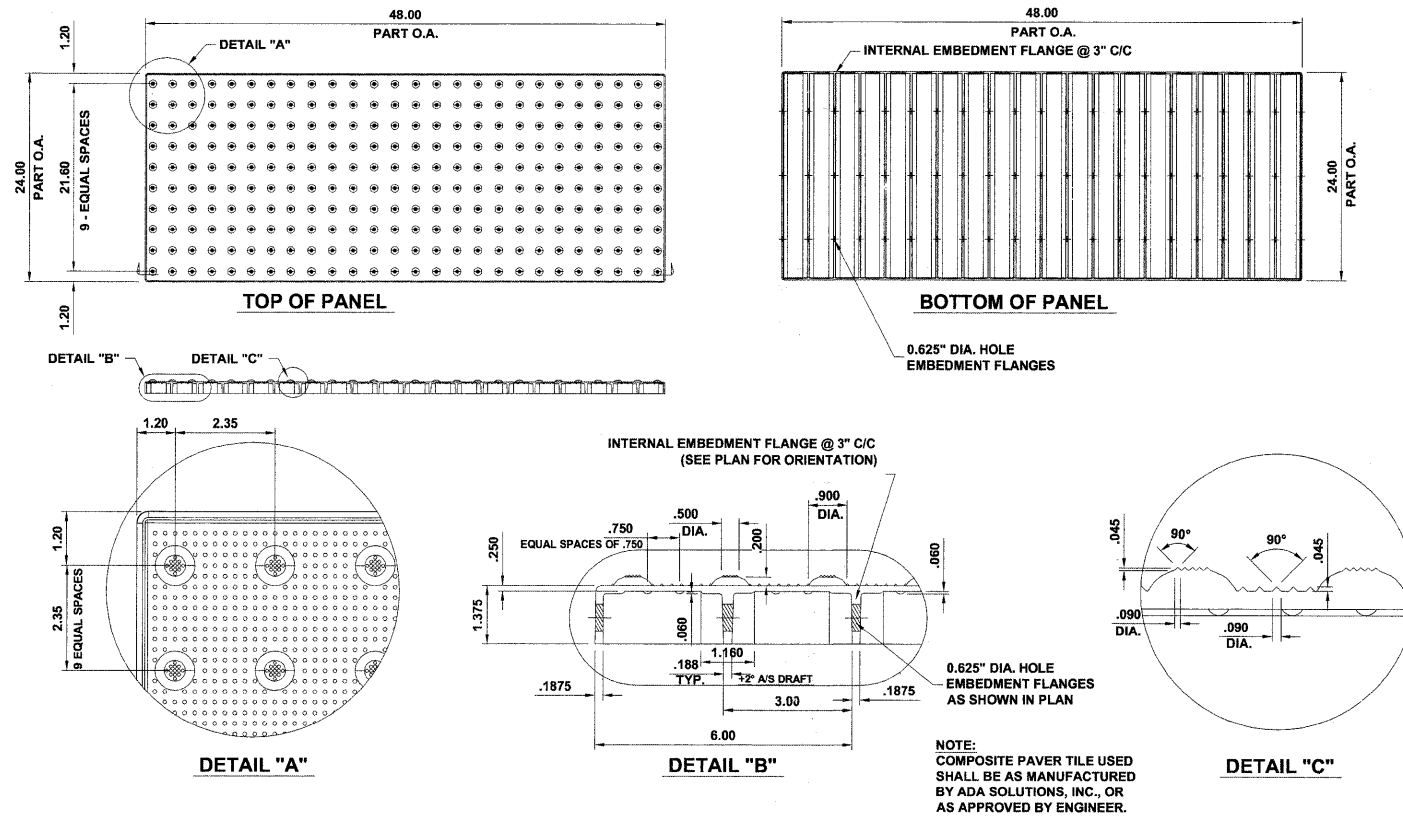
**TYPICAL CURB AND GUTTER
EXPANSION JOINT**



A.D.A. RAMP



STRUCTURE RECONSTRUCTION



CAST-IN-PLACE DETECTABLE WARNING

Drawing file: W:\Projects\600090565 - Division Street LAP Application\Detail-DivisionSt.dwg Aug 14, 2009 - 9:19am

USER NAME	DESIGNED TG	REVISED
	DRAWN TG/LEV	REVISED
PLOT SCALE	CHECKED JG	REVISED
PLOT DATE	DATE 08/12/09	REVISED

ROUTE NO.	SECTION	COUNTY	TOTAL SHEETS	SHEET NO.
1026	09-00113-00-RS	COOK	14	8
CONTRACT NO. 63290				
FED. ROAD DIST. NO. 1 ILLINOIS FED. AID PROJECT ARA-9003(327)				
E.H.E. PROJECT NO. 600-09-15901				