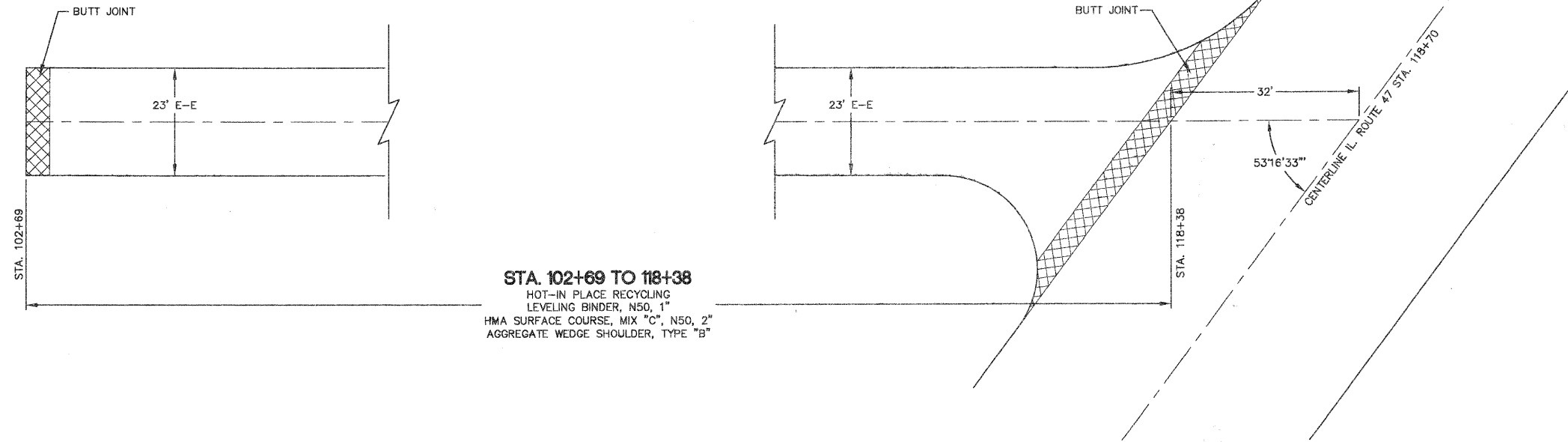


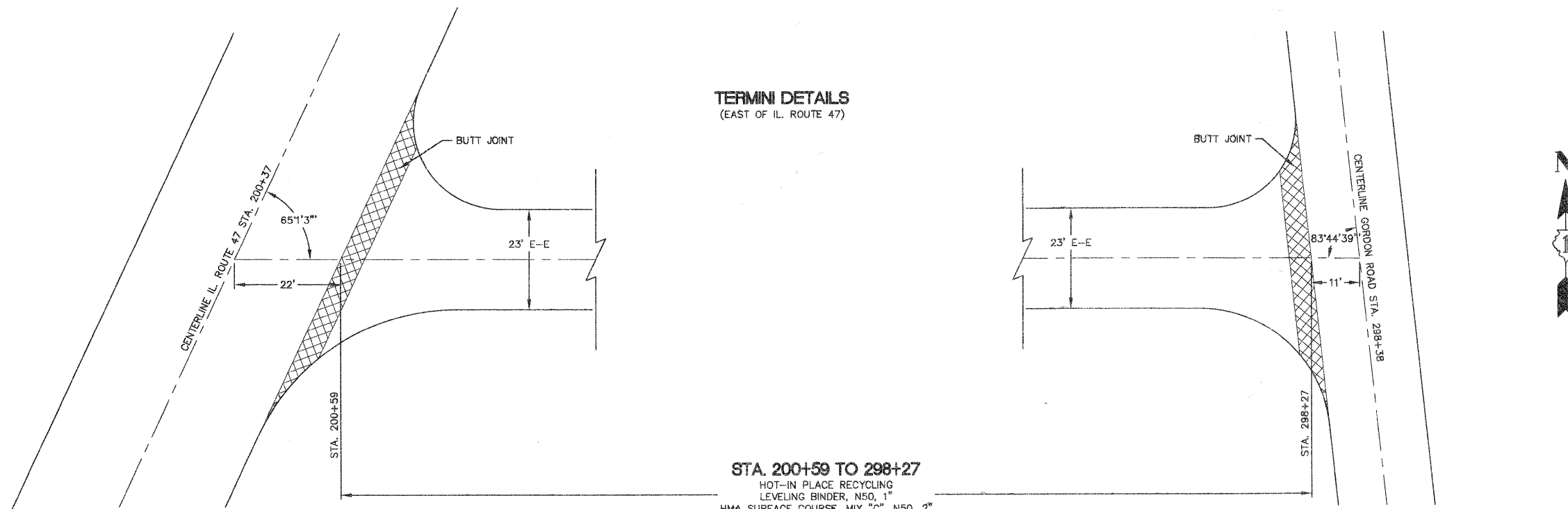
F.A.P. RFE.	SECTION	COUNTY	TOTAL SHEETS	SHEET NO.
23064/23068	09-00022-00-RS	KANE	12	7
CONTRACT NO. 63298				

TERMINI DETAILS
(WEST OF IL. ROUTE 47)



STA. 102+69 TO 118+38
HOT-IN PLACE RECYCLING
LEVELING BINDER, N50, 1"
HMA SURFACE COURSE, MIX "C", N50, 2"
AGGREGATE WEDGE SHOULDER, TYPE "B"

TERMINI DETAILS
(EAST OF IL. ROUTE 47)



STA. 200+59 TO 298+27
HOT-IN PLACE RECYCLING
LEVELING BINDER, N50, 1"
HMA SURFACE COURSE, MIX "C", N50, 2"
AGGREGATE WEDGE SHOULDER, TYPE "B"

Plotted: August 17, 2009 @ 7:20 AM By: Kira Pung - Tab: 07 Termini 22x34

COPYRIGHT © 2009 ENGINEERING ENTERPRISES, INC.

Engineering Enterprises, Inc.
CONSULTING ENGINEERS
52 Wheeler Road
Sugar Grove, Illinois 60554
630.466.6700 / www.eeiweb.com

VILLAGE OF SUGAR GROVE
KANE COUNTY, ILLINOIS

NO.	DATE	REVISIONS

PRAIRIE STREET
LAPP IMPROVEMENTS

TERMINI DETAILS

DATE:	AUGUST 2009
PROJECT NO:	SG0909
FILE:	SG0909-CVR
SHEET	7 OF 12

Path: H:\SG0909\SG0909\DWG\FINAL\ENG\SG0909-CVR