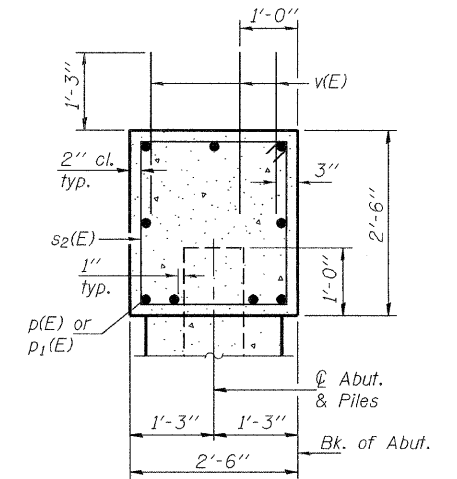
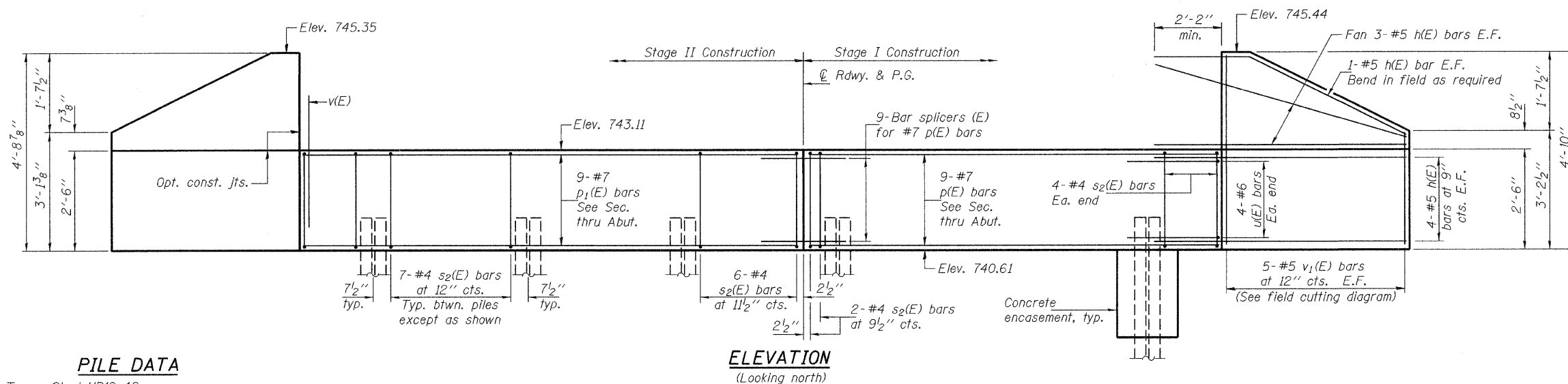


STATE OF ILLINOIS
DEPARTMENT OF TRANSPORTATION

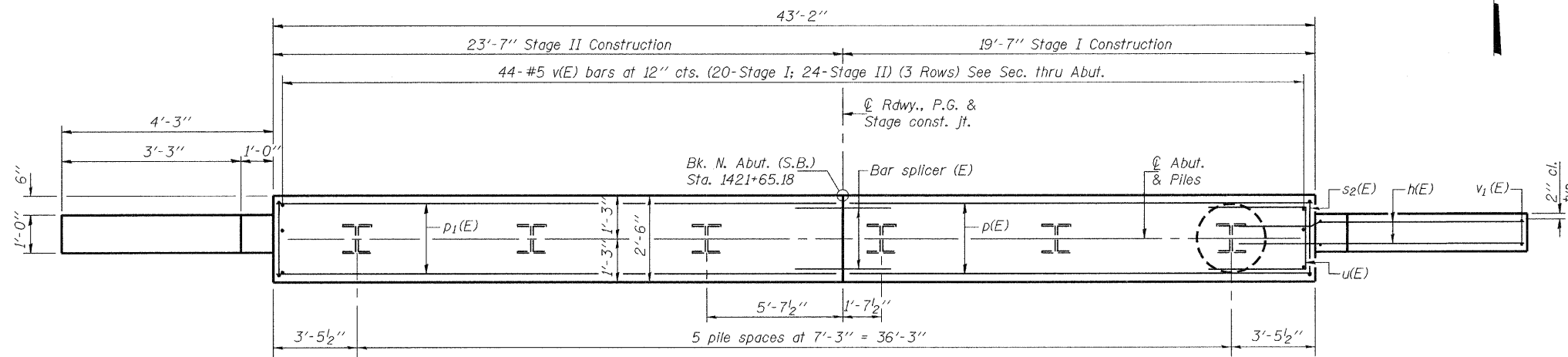


SEC. THRU ABUT.

PILE DATA

Type: Steel HP10x42
Nominal Required Bearing: 236 Kips
Factored Resistance Available: 118 Kips
Est. Length: 49'
No. Production Piles: 6
No. Test Piles: 0

ELEVATION
(Looking north)

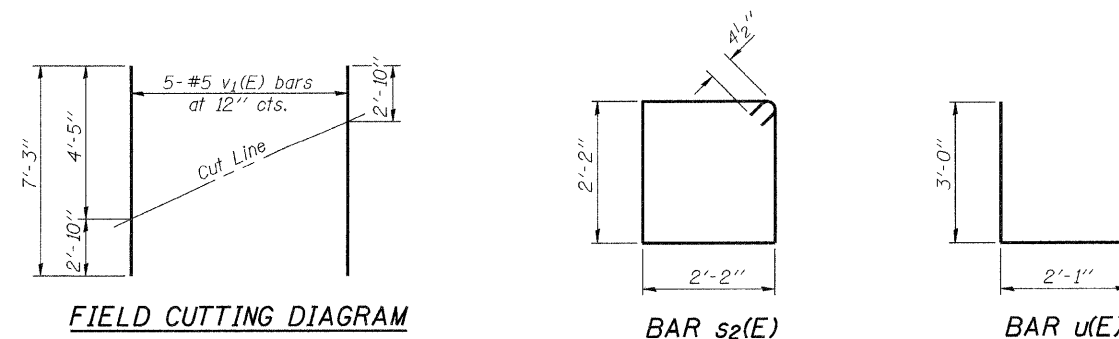


PLAN

BILL OF MATERIAL

Bar	No.	Size	Length	Shape	
h(E)	32	#5	6'-8"	—	
p(E)	9	#7	19'-3"	—	
p1(E)	9	#7	23'-3"	—	
s2(E)	44	#4	9'-5"	□	
u(E)	8	#6	8'-1"	—	
v(E)	132	#5	2'-10"	—	
v1(E)	10	#5	7'-3"	—	
Structure Excavation				Cu. Yd.	42.5
Concrete Structures				Cu. Yd.	11.3
Reinforcement Bars, Epoxy Coated				Pound	1840
Furnishing Steel Piles HP10x42				Foot	294
Driving Piles				Foot	294
Concrete Encasement				Cu. Yd.	2.1

For details of bar splicers, see sheet 26 of 30.
For details of piles and concrete encasement, see sheet 27 of 30.



FIELD CUTTING DIAGRAM

Order v1(E) full length. Cut as shown and use remainder of bars in opposite face.

BAR s2(E)

BAR u(E)

DESIGNED	Nicholas R. Barnett
CHECKED	Michael D. Rolape
DRAWN	h.f. duong
CHECKED	NRB/MDR/GRA

September 29, 2009
EXAMINED *Thomas J. Demagala*
PASSED *Ralph E. Anderson*
ENGINEER OF BRIDGE DESIGN
ENGINEER OF BRIDGES AND STRUCTURES

NORTH ABUTMENT (S.B.)
STRUCTURE NO. 037-0015 (S.B.)
STRUCTURE NO. 037-0016 (N.B.)

SHEET NO. 16 30 SHEETS	F.A.I. RTE.	SECTION	COUNTY	TOTAL SHEETS	SHEET NO.
	74	37-4HB	HENRY	148	52
CONTRACT NO. 64264					
FED. ROAD DIST. NO. _ ILLINOIS FED. AID PROJECT					