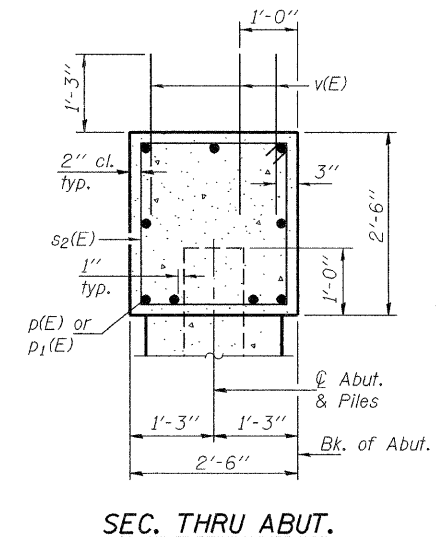
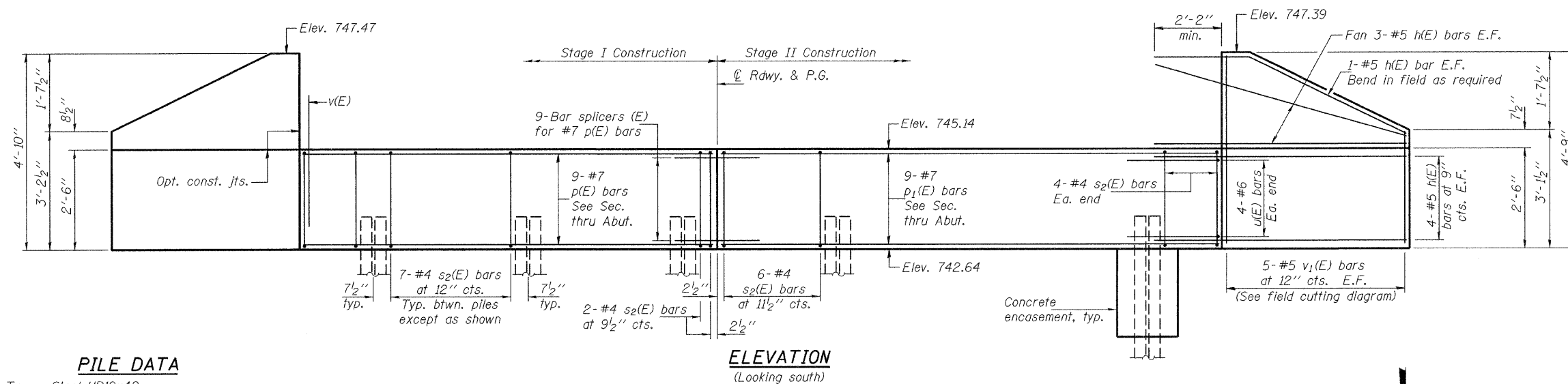
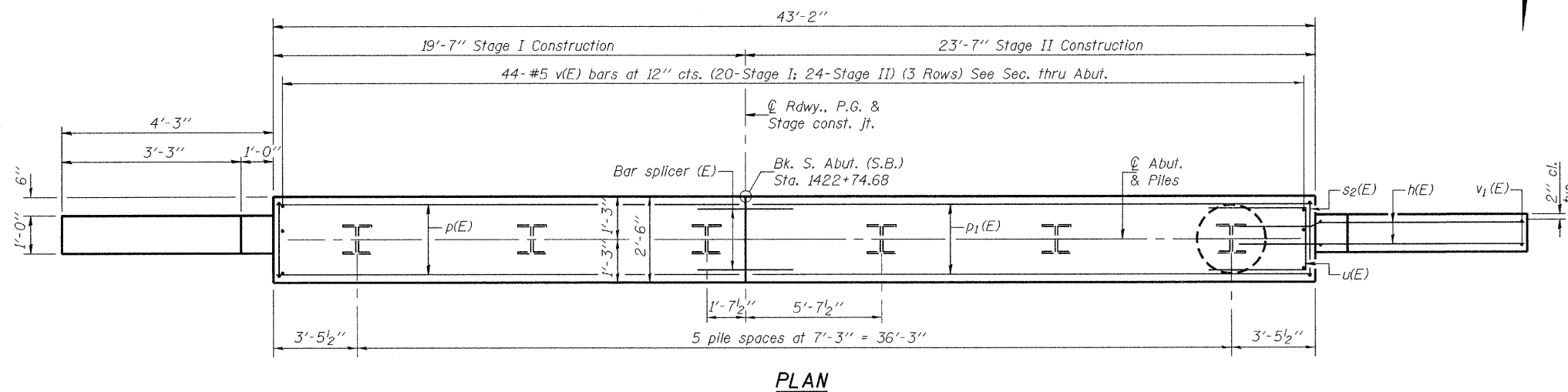


STATE OF ILLINOIS
DEPARTMENT OF TRANSPORTATION



PILE DATA
 Type: Steel HP10x42
 Nominal Required Bearing: 236 Kips
 Factored Resistance Available: 118 Kips
 Est. Length: 51'
 No. Production Piles: 6
 No. Test Piles: 0

ELEVATION
(Looking south)

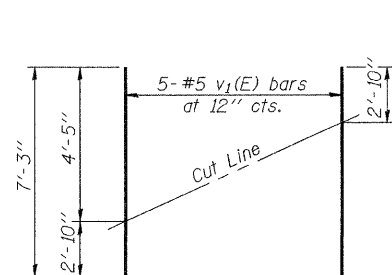


PLAN

BILL OF MATERIAL

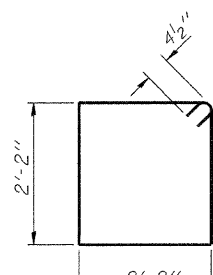
Bar	No.	Size	Length	Shape	
h(E)	32	#5	6'-8"	—	
p(E)	9	#7	19'-3"	—	
p1(E)	9	#7	23'-3"	—	
s2(E)	44	#4	9'-5"	□	
u(E)	8	#6	8'-1"	—	
v(E)	132	#5	2'-10"	—	
v1(E)	10	#5	7'-3"	—	
Structure Excavation				Cu. Yd.	42.5
Concrete Structures				Cu. Yd.	11.3
Reinforcement Bars, Epoxy Coated				Pound	1840
Furnishing Steel Piles HP10x42				Foot	306
Driving Piles				Foot	306
Concrete Encasement				Cu. Yd.	2.1

For details of bar splicers, see sheet 26 of 30.
 For details of piles and concrete encasement, see sheet 27 of 30.

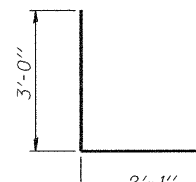


FIELD CUTTING DIAGRAM

Order v1(E) Full length. Cut as shown and use remainder of bars in opposite face.



BAR s2(E)



BAR u(E)

DESIGNED Nicholas R. Barnett
 CHECKED Michael D. Rolape
 DRAWN h.t. duong
 CHECKED NRB/MDR/GRA

September 29, 2009
 EXAMINED Thomas J. Domagala
 PASSED Ralph E. Anderson

**SOUTH ABUTMENT (S.B.)
 STRUCTURE NO. 037-0015 (S.B.)
 STRUCTURE NO. 037-0016 (N.B.)**

SHEET NO. 17 30 SHEETS	F.A.I. RTE.	SECTION	COUNTY	TOTAL SHEETS	SHEET NO.
	74	37-4HB	HENRY	148	53
CONTRACT NO. 64264					
FED. ROAD DIST. NO. _ ILLINOIS FED. AID PROJECT					