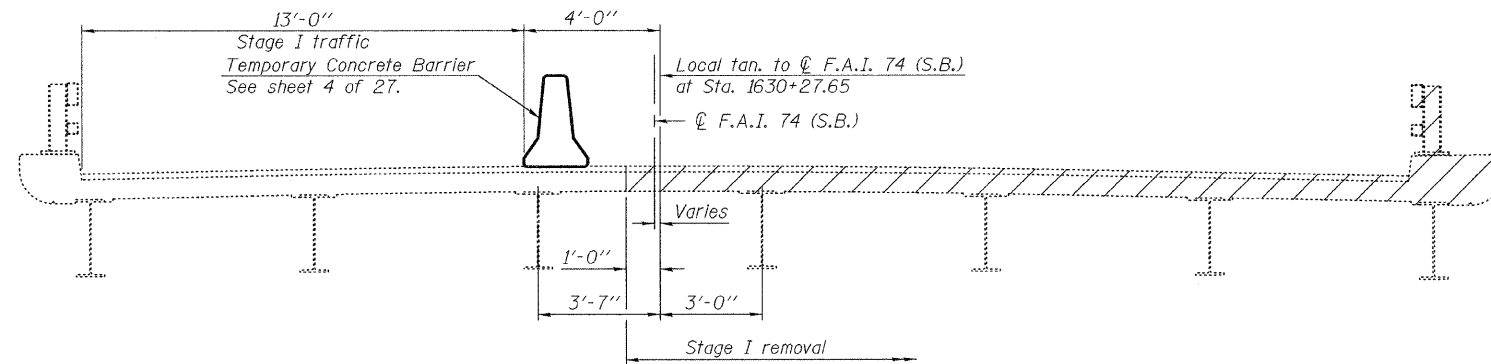
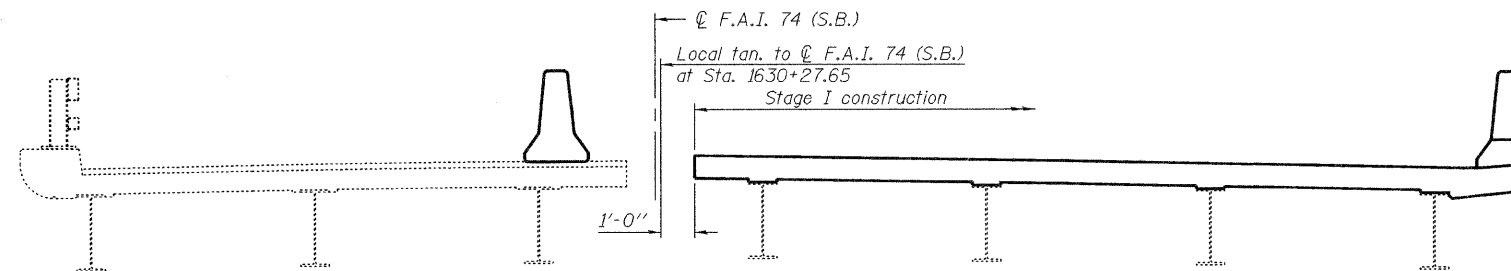


STATE OF ILLINOIS  
DEPARTMENT OF TRANSPORTATION

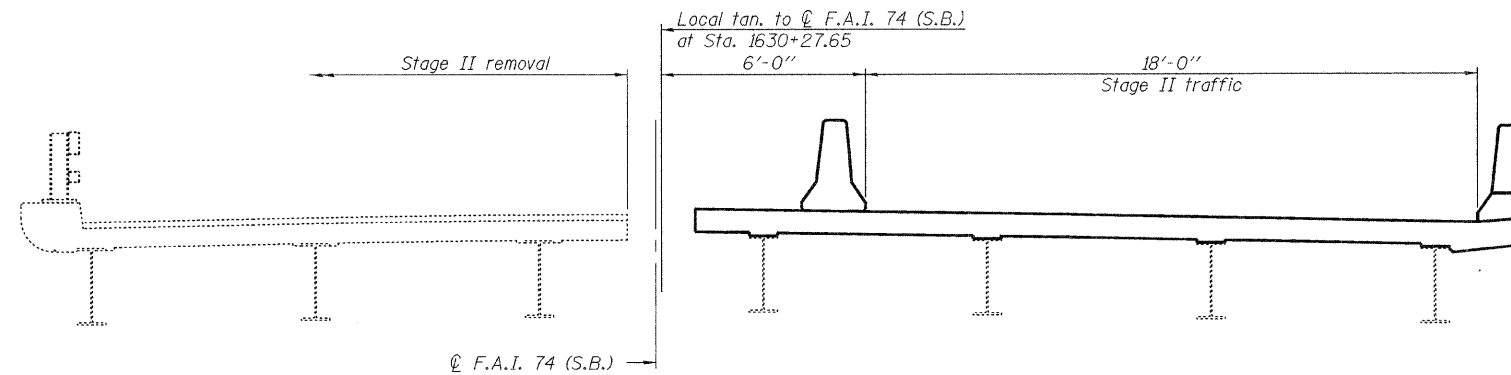
Notes:  
All staging cross sections are taken looking South.  
For quantity of Temporary Concrete Barrier, see roadway plans.  
Hatched area indicates Removal of Existing Concrete Deck.  
Cost of removal of existing steel railing and bituminous overlay is included in Removal of Existing Concrete Deck.



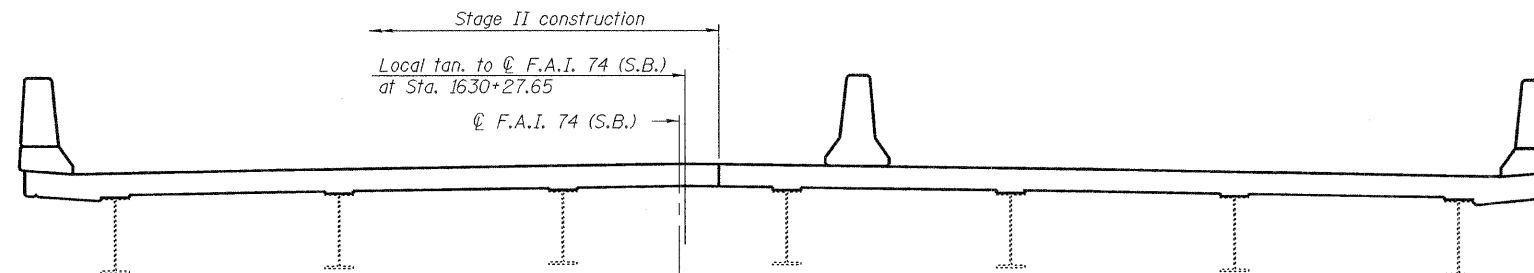
**STAGE I REMOVAL**



**STAGE I CONSTRUCTION**



**STAGE II REMOVAL**



**STAGE II CONSTRUCTION**

**STAGE CONSTRUCTION DETAILS  
STRUCTURE NO. 037-0017 (S.B.)**

DESIGNED *Nicholas R. Barnett*  
CHECKED *Michael D. Rolape*  
DRAWN *Michael B. Mossman*  
CHECKED *N.R.B./M.D.R./G.R.A.*

September 29, 2009  
EXAMINED *Thomas J. Demagalki*  
PASSED *Ralph E. Anderson*  
ENGINEER OF BRIDGE DESIGN  
ENGINEER OF BRIDGES AND STRUCTURES

SHEET NO. 3 27 SHEETS	F.A.I. RTE.	SECTION	COUNTY	TOTAL SHEETS	SHEET NO.
	74	37-4HB-1	HENRY	148	69
CONTRACT NO. 64264					
ILLINOIS FED. AID PROJECT					