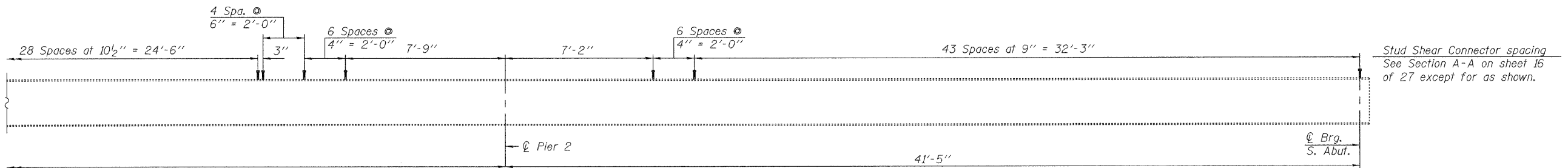
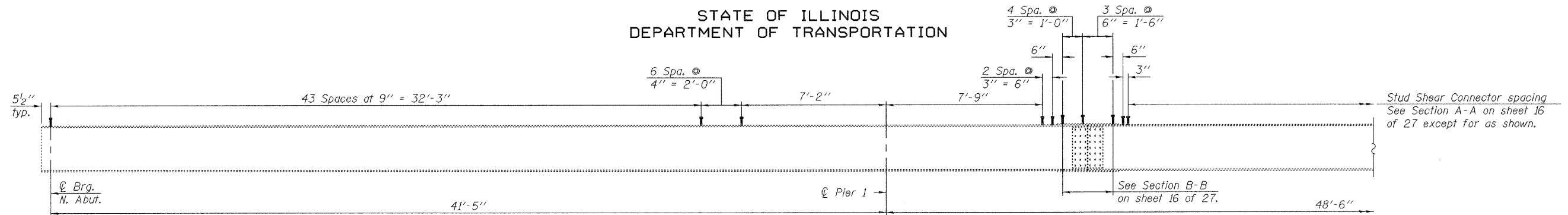
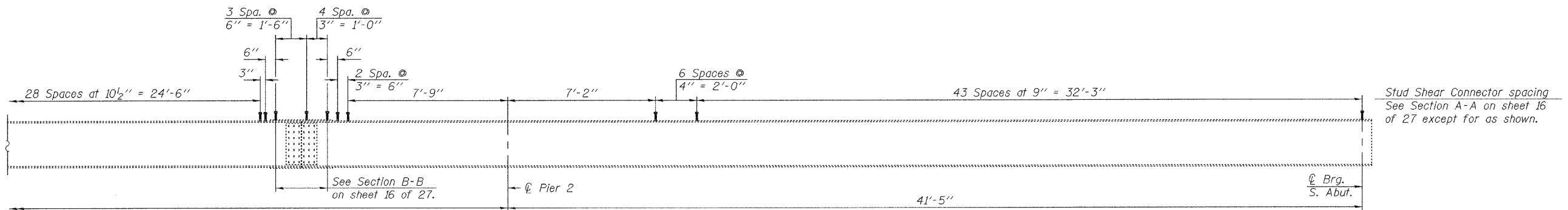
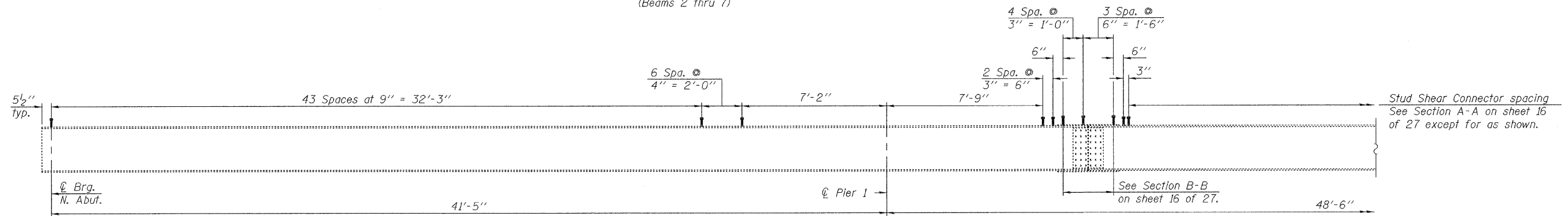


STATE OF ILLINOIS
DEPARTMENT OF TRANSPORTATION



ELEVATION
(Beams 2 thru 7)



ELEVATION
(Beam 1)

DESIGNED <i>Nicholas R. Barnett</i>	September 29, 2009
CHECKED <i>Michael D. Rolape</i>	EXAMINED <i>Thomas J. Demagalaki</i> ENGINEER OF BRIDGE DESIGN
DRAWN <i>Michael B. Mossman</i>	PASSED <i>Ralph E. Anderson</i> ENGINEER OF BRIDGES AND STRUCTURES
CHECKED <i>N.R.B./M.D.R./G.R.A.</i>	

STRUCTURAL STEEL DETAILS
STRUCTURE NO. 037-0017 (S.B.)

SHEET NO. 17 27 SHEETS	F.A.I. RTE.	SECTION	COUNTY	TOTAL SHEETS	SHEET NO.
	74	37-4HB-1	HENRY	148	83
			CONTRACT NO. 64264		
ILLINOIS FED. AID PROJECT					