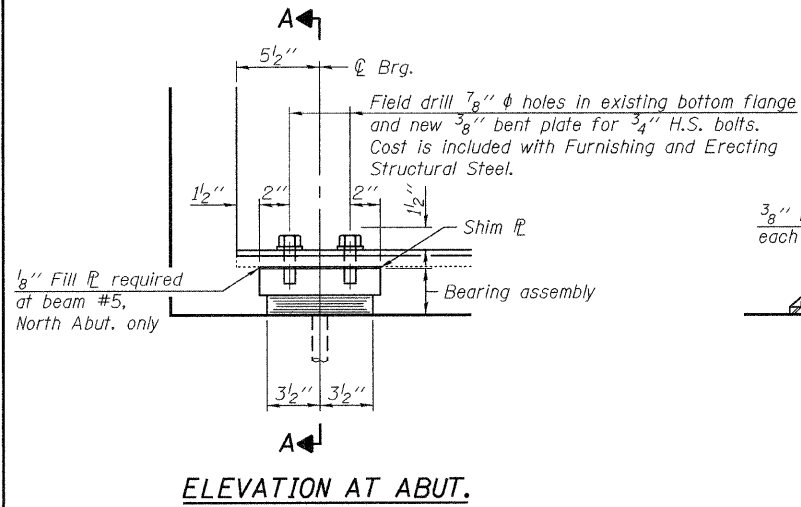
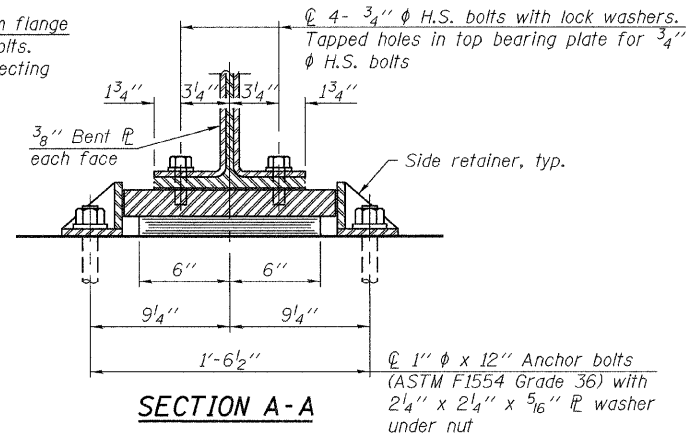


STATE OF ILLINOIS
DEPARTMENT OF TRANSPORTATION



ELEVATION AT ABUT.

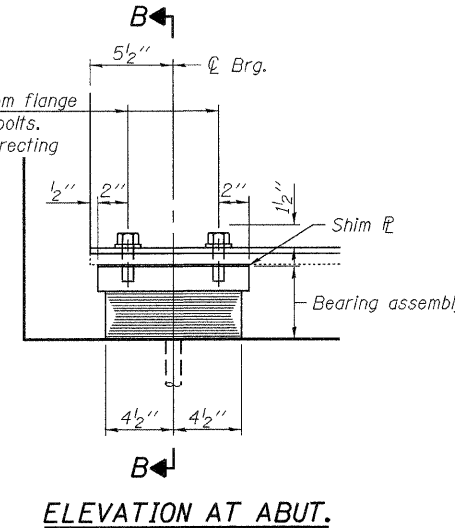
TYPE I ELASTOMERIC EXP. BRG.
AT NORTH ABUTMENT



SECTION A-A

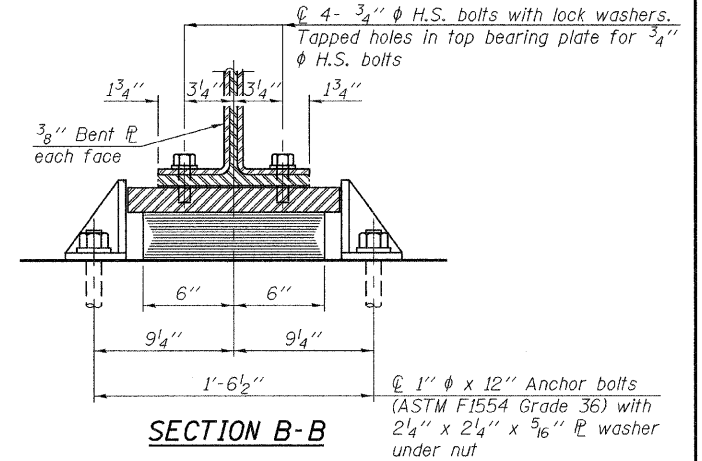
4 - 1" ϕ x 12" Anchor bolts
(ASTM F1554 Grade 36) with
2 1/4" x 2 1/4" x 5/16" PL washer
under nut

Field drill 7/8" ϕ holes in existing bottom flange
and new 3/8" bent plate for 3/4" H.S. bolts.
Cost is included with Furnishing and Erecting
Structural Steel.



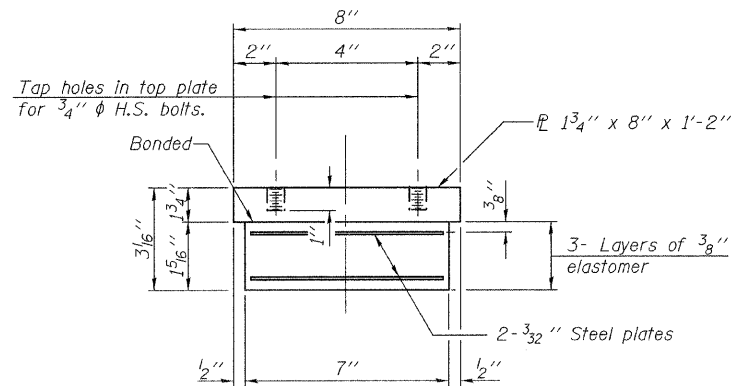
ELEVATION AT ABUT.

TYPE I ELASTOMERIC EXP. BRG.
AT SOUTH ABUTMENT



SECTION B-B

4 - 1" ϕ x 12" Anchor bolts
(ASTM F1554 Grade 36) with
2 1/4" x 2 1/4" x 5/16" PL washer
under nut



NORTH ABUTMENT
BEARING ASSEMBLY

Notes:

Anchor bolts shall be ASTM F1554 all-thread (or an Engineer-approved alternate material) of the grade(s) and diameter(s) specified. ASTM A307 Grade C anchor bolts may be used in lieu of ASTM F1554 Grade 36 (Fy=36ksi). The corresponding specified grade of AASHTO M314 anchor bolts may be used in lieu of ASTM F1554.

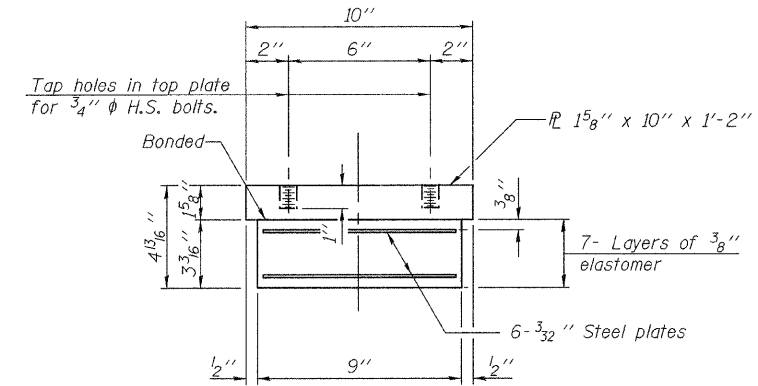
Anchor bolts for side retainers may be cast in place or installed in holes drilled before or after members are in place.

Drilled and set anchor bolts shall be installed according to Article 521.06 of the Standard Specifications.

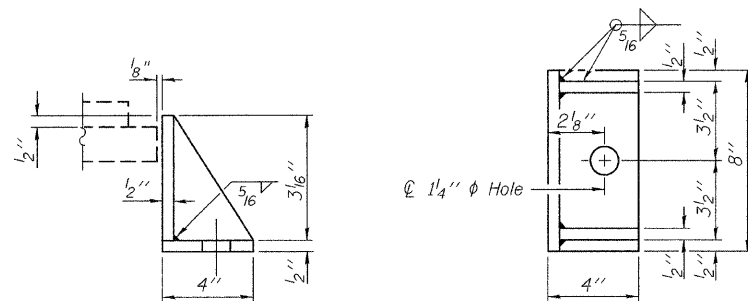
Side retainers and other steel members required for the bearing assembly shall be included in the cost of Elastomeric Bearing Assembly, Type I.

Two 1/8" adjusting shims shall be provided for each bearing in addition to all other plates or shims and placed as shown on bearing details.

Shim plates shall not be placed under Bearing Assembly.

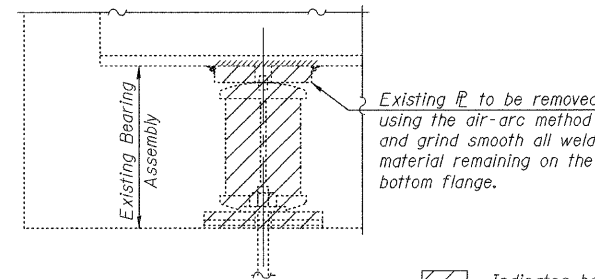


SOUTH ABUTMENT
BEARING ASSEMBLY



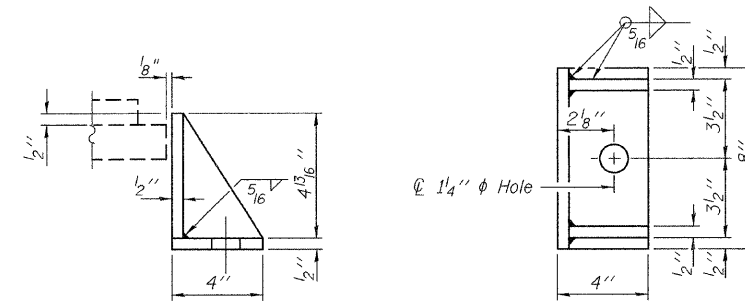
NORTH ABUTMENT
SIDE RETAINER

Equivalent rolled angle with stiffeners
will be allowed in lieu of welded plates.



EXISTING BEARING REMOVAL DETAIL

Cost included with Jacking
and Cribbing.



SOUTH ABUTMENT
SIDE RETAINER

Equivalent rolled angle with stiffeners
will be allowed in lieu of welded plates.

Indicates bearing removal.

DESIGNED	Nicholas R. Barnett
CHECKED	Michael D. Rolape
DRAWN	Michael B. Mossman
CHECKED	N.R.B./M.D.R./G.R.A.

EXAMINED	September 29, 2009
PASSED	Thomas J. Damagalki ENGINEER OF BRIDGE DESIGN
	Ralph E. Anderson ENGINEER OF BRIDGES AND STRUCTURES

BILL OF MATERIAL

Item	Unit	Total
Elastomeric Bearing Assembly Type I	Each	14
Anchor Bolts	Each	28

BEARING DETAILS
STRUCTURE NO. 037-0017 (S.B.)

SHEET NO. 19 27 SHEETS	F.A.I. RTE.	SECTION	COUNTY	TOTAL SHEETS	SHEET NO.
	74	37-4HB-1	HENRY	148	85
			CONTRACT NO. 64264		
ILLINOIS FED. AID PROJECT					