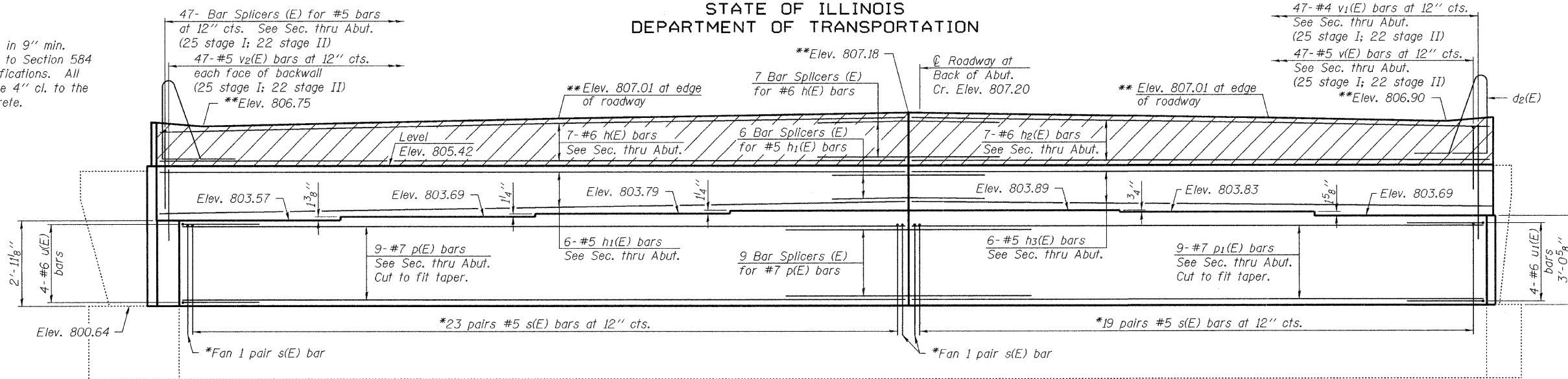


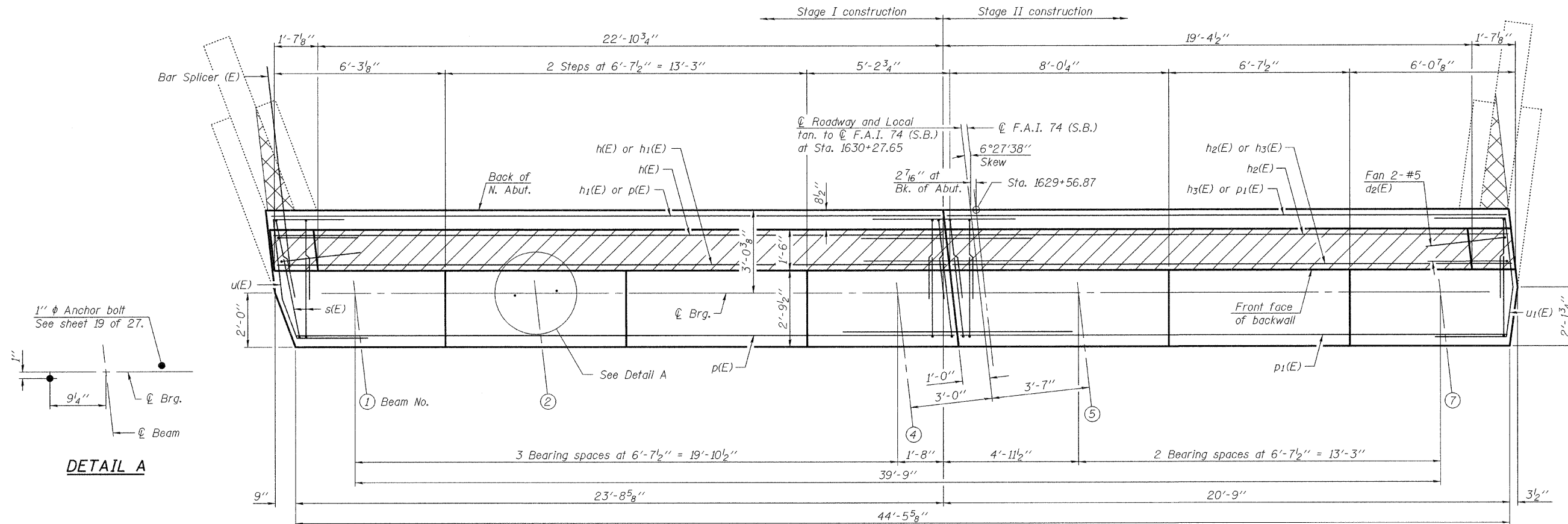
STATE OF ILLINOIS
DEPARTMENT OF TRANSPORTATION

* Epoxy grout s(E) bars in 9" min. drilled holes according to Section 584 of the Standard Specifications. All grouted bars shall have 4" cl. to the edge of existing concrete.



ELEVATION

** Elevations are taken at front face of backwall.



PLAN

Notes:
Hatched area to be poured after superstructure false work has been removed. Quantity of concrete included with Concrete Superstructure. Cross-hatched area indicates location of 1" PJF at top of remaining wingwalls. See wingwall elevations on sheet 23 of 27. Space reinforcement in cap to miss anchor bolts. Pour steps monolithically with cap. p(E) and p₁(E) bars may need to be cut to maintain minimum clearance.

| | | |
|----------|----------------------|-------------------------------------|
| DESIGNED | Nicholas R. Barnett | September 29, 2009 |
| CHECKED | Michael D. Rotape | EXAMINED <i>Thomas J. Demagalki</i> |
| DRAWN | Michael B. Mossman | PASSED <i>Ralph E. Anderson</i> |
| CHECKED | N.R.B./M.D.R./G.R.A. | ENGINEER OF BRIDGES AND STRUCTURES |

NORTH ABUTMENT
STRUCTURE NO. 037-0017 (S.B.)

| | | | | | |
|---------------------------|--------------------|---------------------|-----------------|---------------------|-----------------|
| SHEET NO. 22 27 SHEETS | F.A.I. RTE. 74 | SECTION 37-4HB-1 | COUNTY HENRY | TOTAL SHEETS 148 | SHEET NO. 88 |
| | CONTRACT NO. 64264 | | | | |
| ILLINOIS FED. AID PROJECT | | | | | |