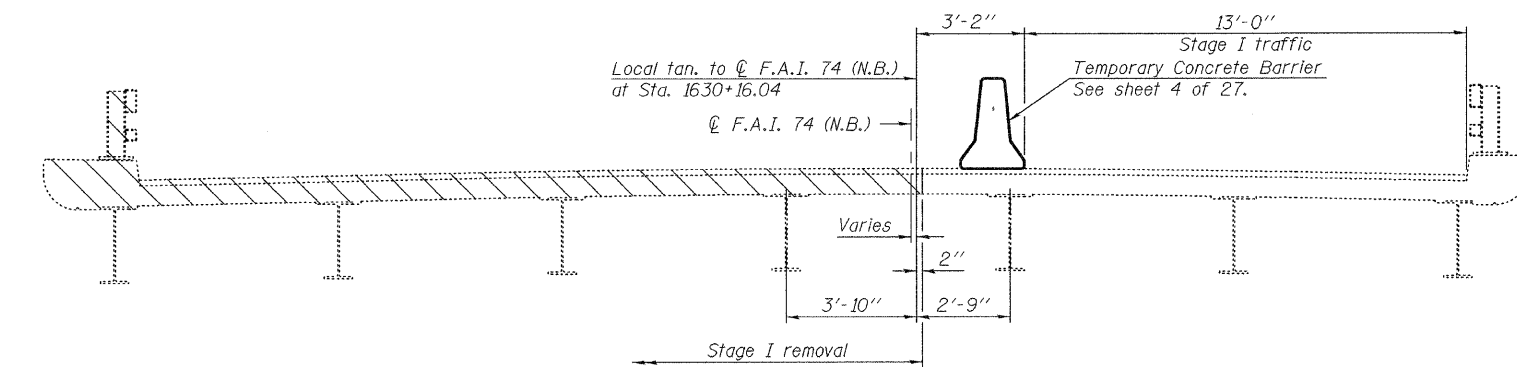
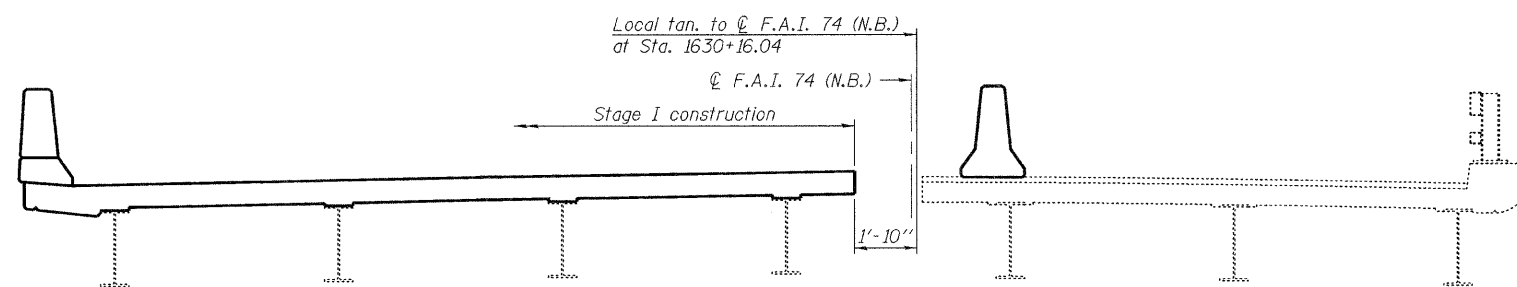


STATE OF ILLINOIS
DEPARTMENT OF TRANSPORTATION

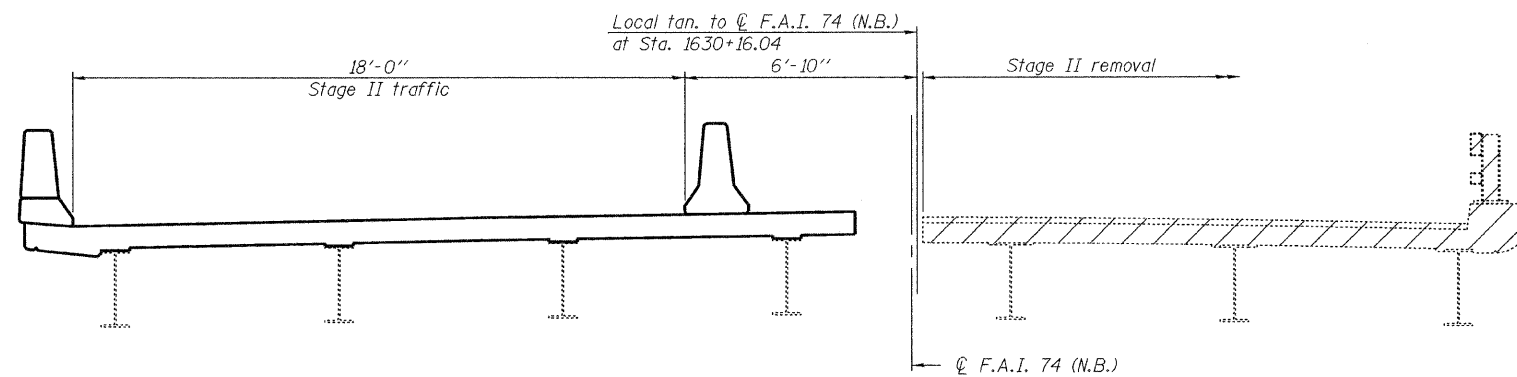
Notes:
All staging cross sections are taken looking South.
For quantity of Temporary Concrete Barrier, see roadway plans.
Hatched area indicates Removal of Existing Concrete Deck.
Cost of removal of existing steel railing and bituminous overlay is included in Removal of Existing Concrete Deck.



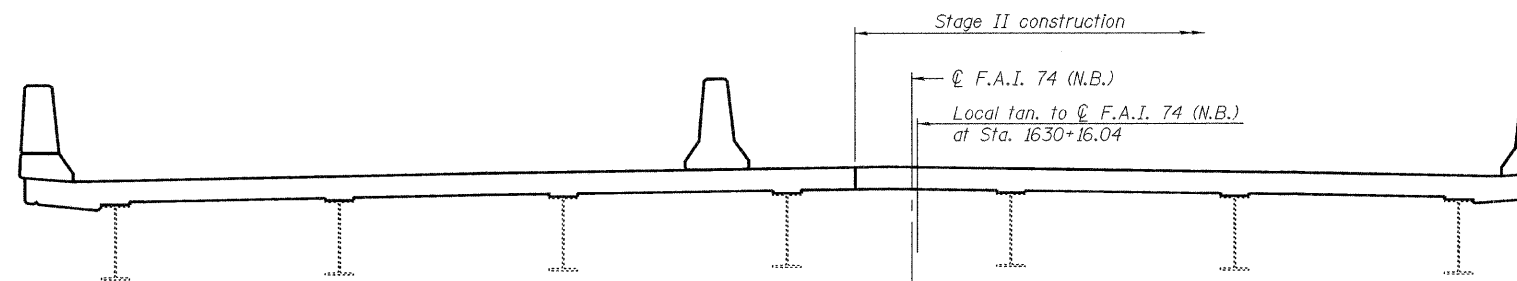
STAGE I REMOVAL



STAGE I CONSTRUCTION



STAGE II REMOVAL



STAGE II CONSTRUCTION

**STAGE CONSTRUCTION DETAILS
STRUCTURE NO. 037-0018 (N.B.)**

DESIGNED Michael D. Rolape	September 29, 2009
CHECKED Nicholas R. Barnett	EXAMINED <i>Thomas J. Demagaliki</i> ENGINEER OF BRIDGE DESIGN
DRAWN Michael B. Mossman	PASSED <i>Ralph E. Anderson</i> ENGINEER OF BRIDGES AND STRUCTURES
CHECKED M.D.R./N.R.B./G.R.A.	

SHEET NO. 3 27 SHEETS	F.A.I. RTE. 74	SECTION 37-4HB-1	COUNTY HENRY	TOTAL SHEETS 148	SHEET NO. 96
	CONTRACT NO. 64264			ILLINOIS FED. AID PROJECT	