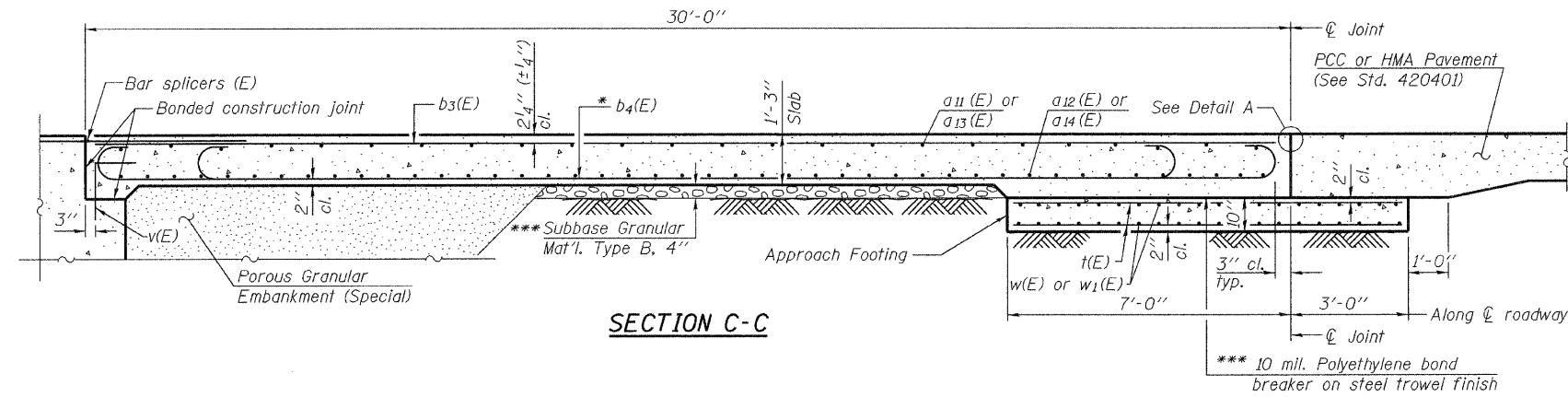


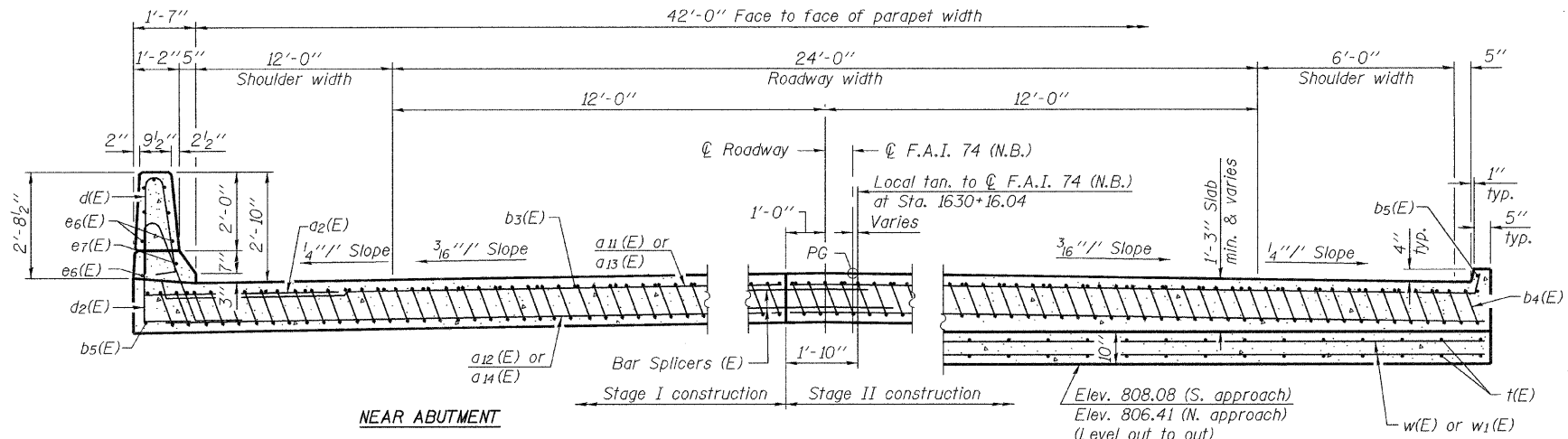
STATE OF ILLINOIS
DEPARTMENT OF TRANSPORTATION

Notes:

See sheet 13 of 27 for Detail A and View B-B.
Approach slab and parapet concrete shall be paid for as Concrete Superstructure.
Approach footing concrete shall be paid for as Concrete Structures.
Reinforcement shall be paid for as Reinforcement Bars, Epoxy Coated.
For v(E) bar details, see sheet 23 of 27.
The approach footing maximum applied service bearing pressure (Qmax) = 2.0 ksf.
For bar splicer details, see sheet 26 of 27.
Cost of excavation for approach footing included with Concrete Structures.
For Porous Granular Embankment (Special) and drainage treatment details, see sheet 2 of 27.
For additional parapet details, see sheet 12 of 27.



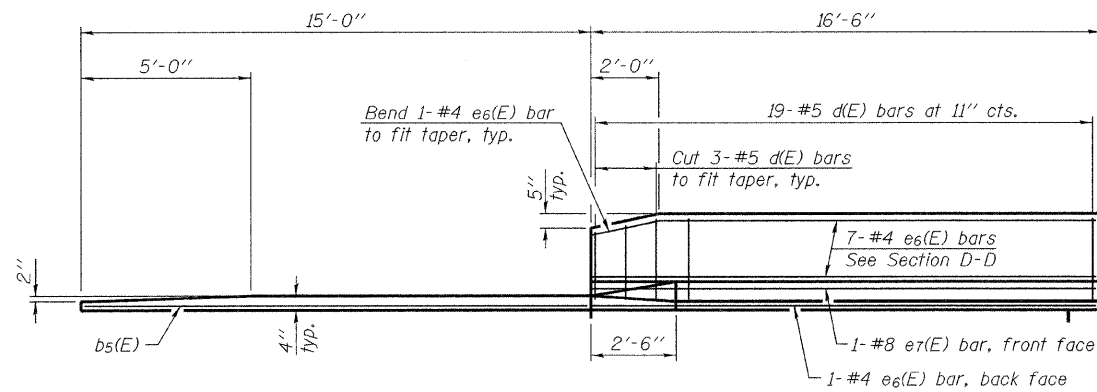
SECTION C-C



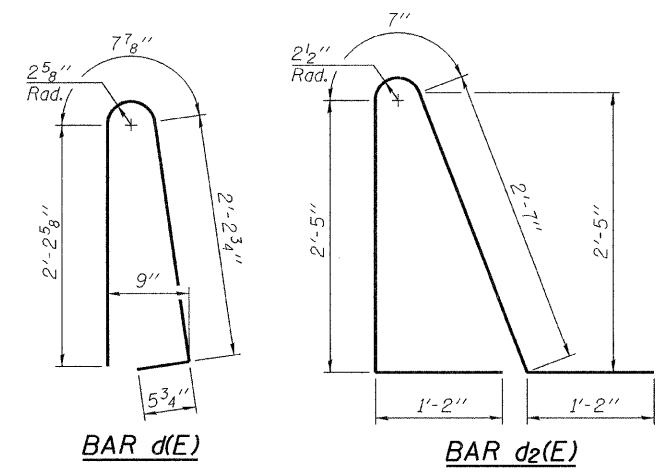
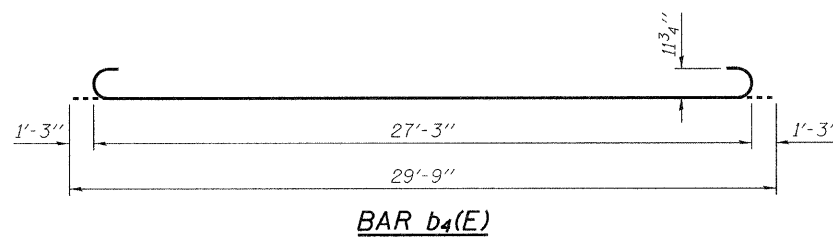
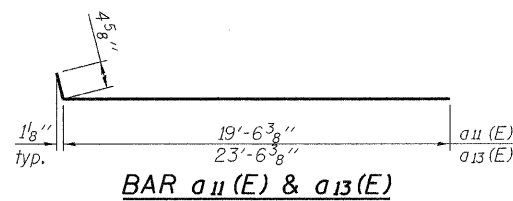
SECTION D-D

(See Plan for dimensions not shown)

AT APPROACH FOOTING



VIEW E-E



* Tilt #9 b4(E) bars as required to maintain clearance.
*** Cost included with Concrete Superstructure.

TWO APPROACHES
BILL OF MATERIAL

Bar	No.	Size	Length	Shape
a2(E)	48	#6	6'-0"	—
a11(E)	50	#4	19'-11"	—
a12(E)	92	#5	23'-8"	—
a13(E)	50	#4	23'-11"	—
a14(E)	92	#5	19'-8"	—
b3(E)	74	#4	29'-8"	—
b4(E)	210	#9	29'-9"	—
b5(E)	8	#4	14'-8"	—
d(E)	76	#5	5'-7"	⤴
d2(E)	68	#5	7'-11"	⤴
e6(E)	32	#4	16'-3"	—
e7(E)	4	#8	16'-3"	—
t(E)	184	#4	9'-8"	—
w(E)	80	#5	23'-7"	—
w1(E)	80	#5	19'-7"	—
Concrete Superstructure		Cu. Yd.	138.3	
Concrete Structures		Cu. Yd.	27.0	
Reinforcement Bars, Epoxy Coated		Pound	35,160	

DESIGNED Michael D. Rolape
CHECKED Nicholas R. Barnett
DRAWN Michael B. Mossman
CHECKED M.D.R./N.R.B./G.R.A.

September 29, 2009
EXAMINED Thomas J. Demagali
PASSED Ralph E. Anderson

(Sheet 2 of 2)
BRIDGE APPROACH SLAB DETAILS
STRUCTURE NO. 037-0018 (N.B.)

SHEET NO. 14 27 SHEETS	F.A.I. RTE.	SECTION	COUNTY	TOTAL SHEETS	SHEET NO.
	74	37-4HB-1	HENRY	148	101
CONTRACT NO. 64264					
ILLINOIS FED. AID PROJECT					