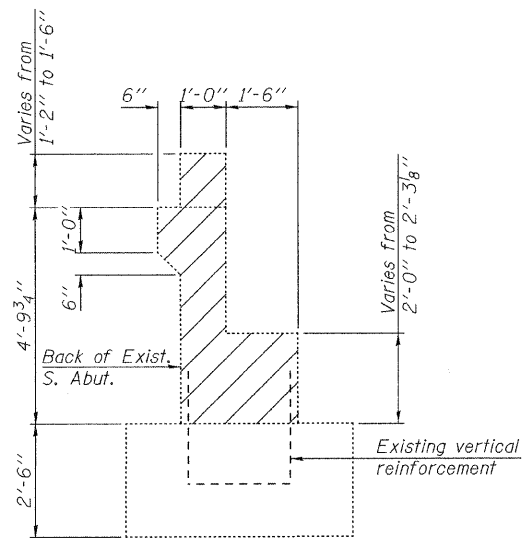


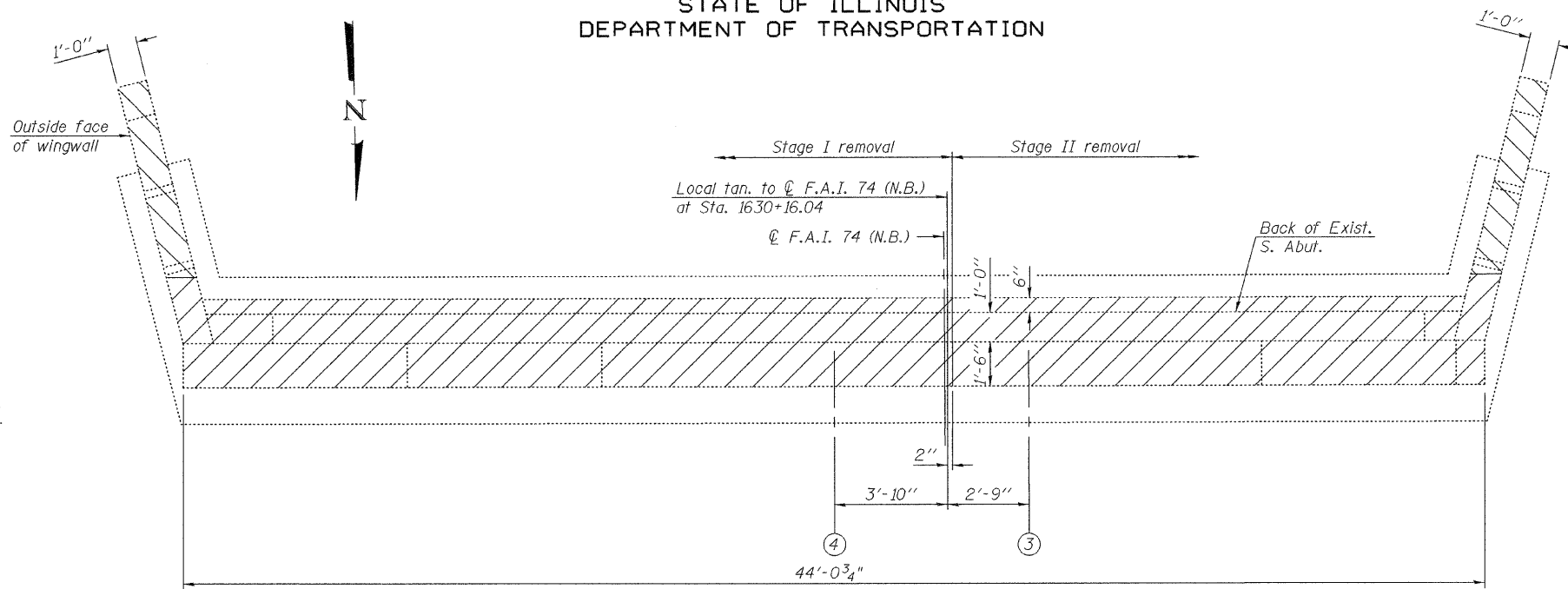
STATE OF ILLINOIS  
DEPARTMENT OF TRANSPORTATION

**JACKING AND CRIBBING  
AT SOUTH ABUTMENT**

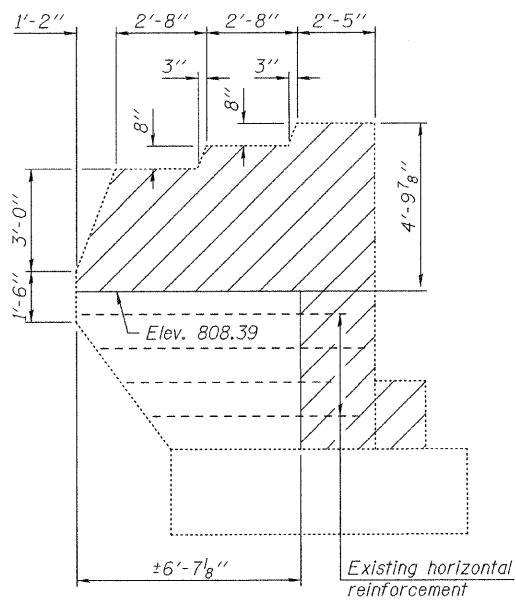
- 1.) The Contractor shall submit for approval by the Engineer plans for jacking and cribbing prior to commencing any work at the bearings.
- 2.) Jacking and removing existing bearings shall be done after the deck removal is completed and before the concrete removal at the abutments.
- 3.) Jacking shall be limited to a maximum of  $\frac{3}{4}$ " lift to remove the existing bearing assembly, utilizing a jack or series of jacks. The max. dead load reaction at each beam with the deck removed is 1.8 k at abutments. The minimum jack capacity for each beam is 4 k at abutments.
- 4.) Reconstruct abutment as detailed on sheets 24 and 25 of 27.
- 5.) The new bearings, fill plates and shim plates shall be in place and the beams shall be lowered before the new concrete deck is poured.



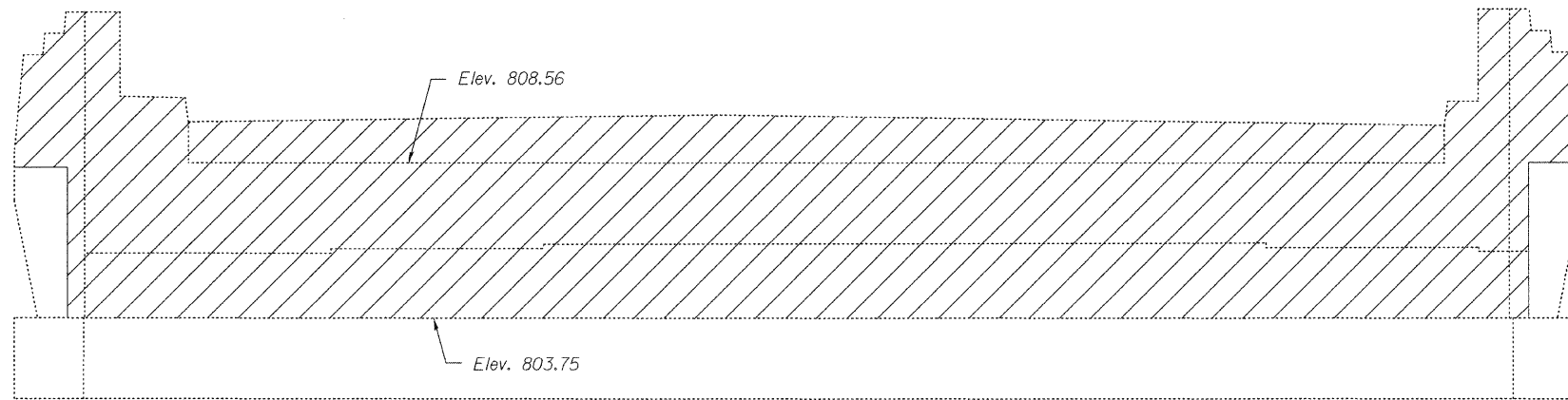
**SECTION THRU  
ABUTMENT**



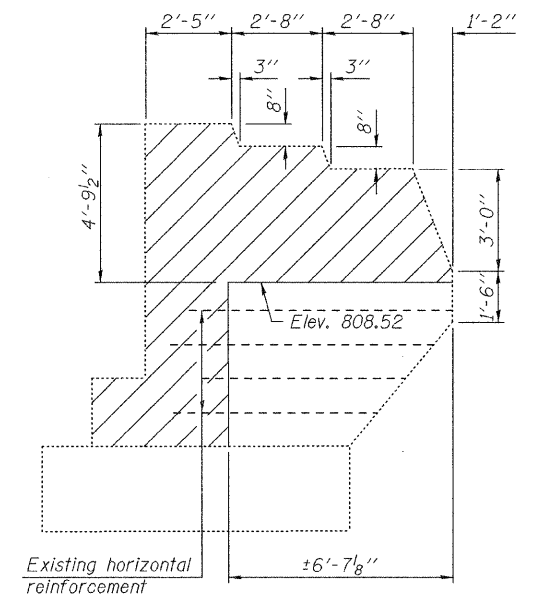
**PLAN**



**EAST WINGWALL  
ELEVATION  
(Outside face)**



**ELEVATION**



**WEST WINGWALL  
ELEVATION  
(Outside face)**

Notes:  
Existing horizontal and vertical reinforcement extending into new construction shall be cleaned, straightened, and incorporated into the new construction. Cost included with Concrete Removal.  
Existing reinforcement not extending into new construction shall be cut off and covered with a 2" layer of cement grout. Cost shall be included with the cost of Concrete Removal.  
Hatched areas indicate the limits of concrete removal.

**BILL OF MATERIAL**

Item	Unit	Total
Concrete Removal	Cu. Yd.	19
Jacking and Cribbing	Each	7

**SOUTH ABUTMENT CONCRETE REMOVAL  
STRUCTURE NO. 037-0018 (N.B.)**

DESIGNED	Michael D. Rolape
CHECKED	Nicholas R. Barnett
DRAWN	Michael B. Mossman
CHECKED	M.D.R./N.R.B./G.R.A.

September 29, 2009  
EXAMINED *Thomas J. Damagalki*  
PASSED *Ralph E. Anderson*  
ENGINEER OF BRIDGE DESIGN  
ENGINEER OF BRIDGES AND STRUCTURES

SHEET NO. 21 27 SHEETS	F.A.I. RTE.	SECTION	COUNTY	TOTAL SHEETS	SHEET NO.
	74	37-4HB-1	HENRY	148	114
				CONTRACT NO. 64264	
ILLINOIS FED. AID PROJECT					