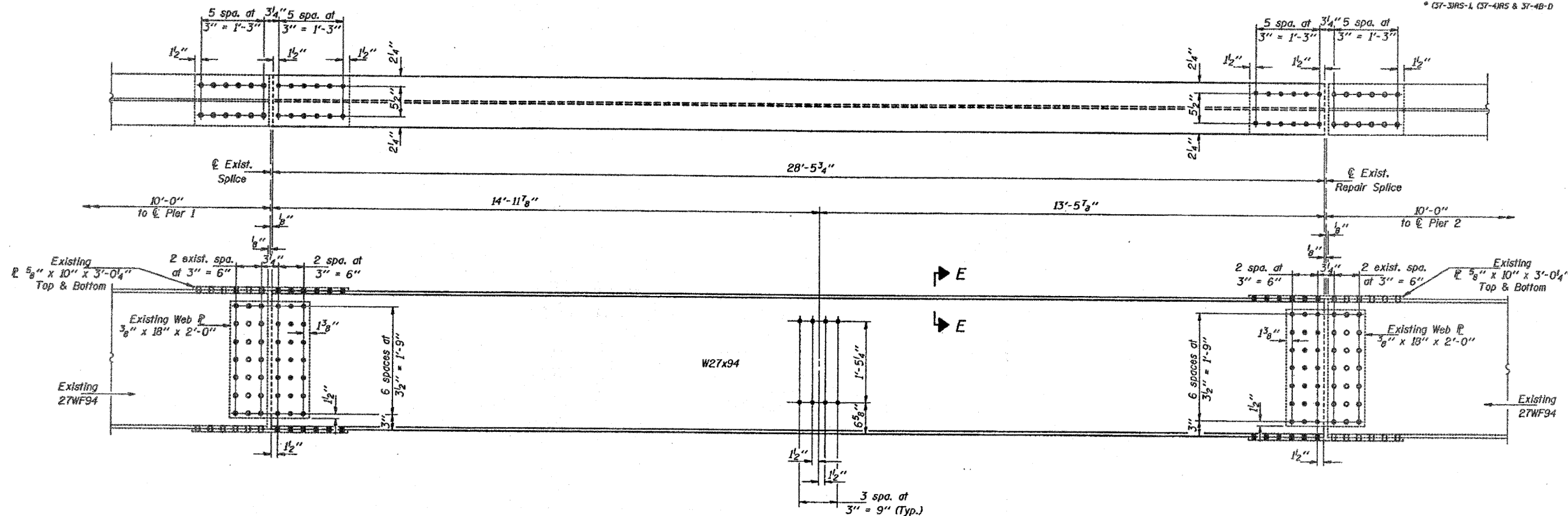


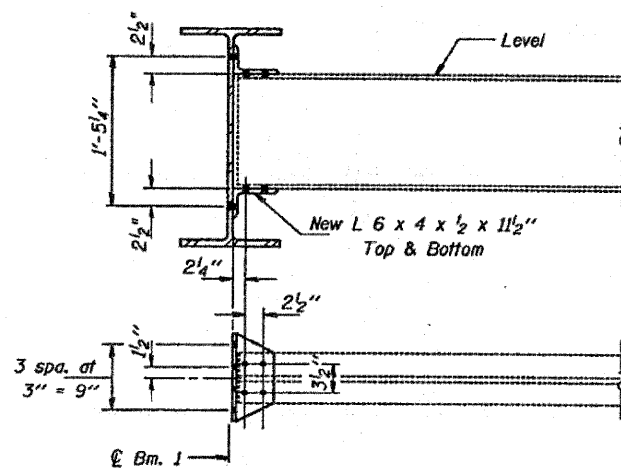
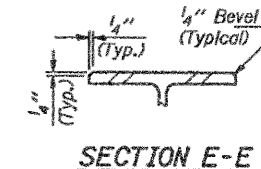
STATE OF ILLINOIS  
DEPARTMENT OF TRANSPORTATION

ROUTE NO.	DISTRICT	COUNTY	SECTION	SHEET NO.
F.A.I. 74	0	HENRY	149	1120
FED. AID DIST. NO. 7		ILLINOIS		FED. AID PROJECT

\* 37-31RS-1, 37-41RS & 37-4B-D



**ELEVATION BEAM 1**  
(Looking East)



**EXISTING DIAPHRAGM (12WF36)**

**EXISTING BRIDGE PLANS  
FOR REFERENCE ONLY**

Notes: Natural camber of new beam shall be placed upward for fabrication.  
Flange splice holes shall be subpunched or subdrilled  $\frac{1}{16}$ " and reamed in the field to  $\frac{1}{8}$ " for  $\frac{7}{8}$ " H.S. Bolts after new steel is fitted into position.  
Web splice holes shall be subpunched or subdrilled  $\frac{1}{16}$ " and reamed in the field to  $\frac{1}{8}$ " for  $\frac{3}{4}$ " H.S. Bolts after new steel is fitted into position.  
 $\frac{1}{16}$ " Holes for new  $\frac{3}{4}$ " H.S. Bolts shall be used for all diaphragm connections. Two hardened washers shall be required at diaphragm connections.  
Existing splice  $\frac{1}{2}$ "s to be matched, marked, removed and reused, using new H.S. Bolts.

DESIGNED	A.Y.V.	DATE	DECEMBER 03, 19 97
CHECKED	D-herbert	REVISIONS	
DRAWN	D-herbert	APPROVED	<i>Joseph E. Adams</i> ENGINEER OF STRUCTURAL SERVICES
CHECKED	A.Y.V. R.T.B.	PASSED	<i>Joseph E. Adams</i> ENGINEER OF BRIDGES AND STRUCTURES

**BRIDGE REPAIRS**  
F.A.I. RT. 74 SEC 37-4HB-2  
HENRY COUNTY  
STA. 1468+34.24  
S.N. 037-0017

FILE NAME =	USER NAME = perkinsdr	DESIGNED -	REVISED -	STATE OF ILLINOIS DEPARTMENT OF TRANSPORTATION	EXISTING BRIDGE PLANS (FOR REFERENCE ONLY)	F.A.I. RTE.	SECTION	COUNTY	TOTAL SHEETS	SHEET NO.
cd:\pw_work\pw\DOT\PERKINS\DR\des35777\020298-sht-deta1.sldgn	020298-sht-deta1.sldgn	DRAWN -	REVISED -			74	37-4HB,4HB-1,4HB-2ID	HENRY	148	133
PLOT SCALE = 56.0000 / IN.		CHECKED -	REVISED -			CONTRACT NO. 64264				
PLOT DATE = Wed Aug 05 07:35:12 2009		DATE -	REVISED -			ILLINOIS FED. AID PROJECT				