

ELEVATION

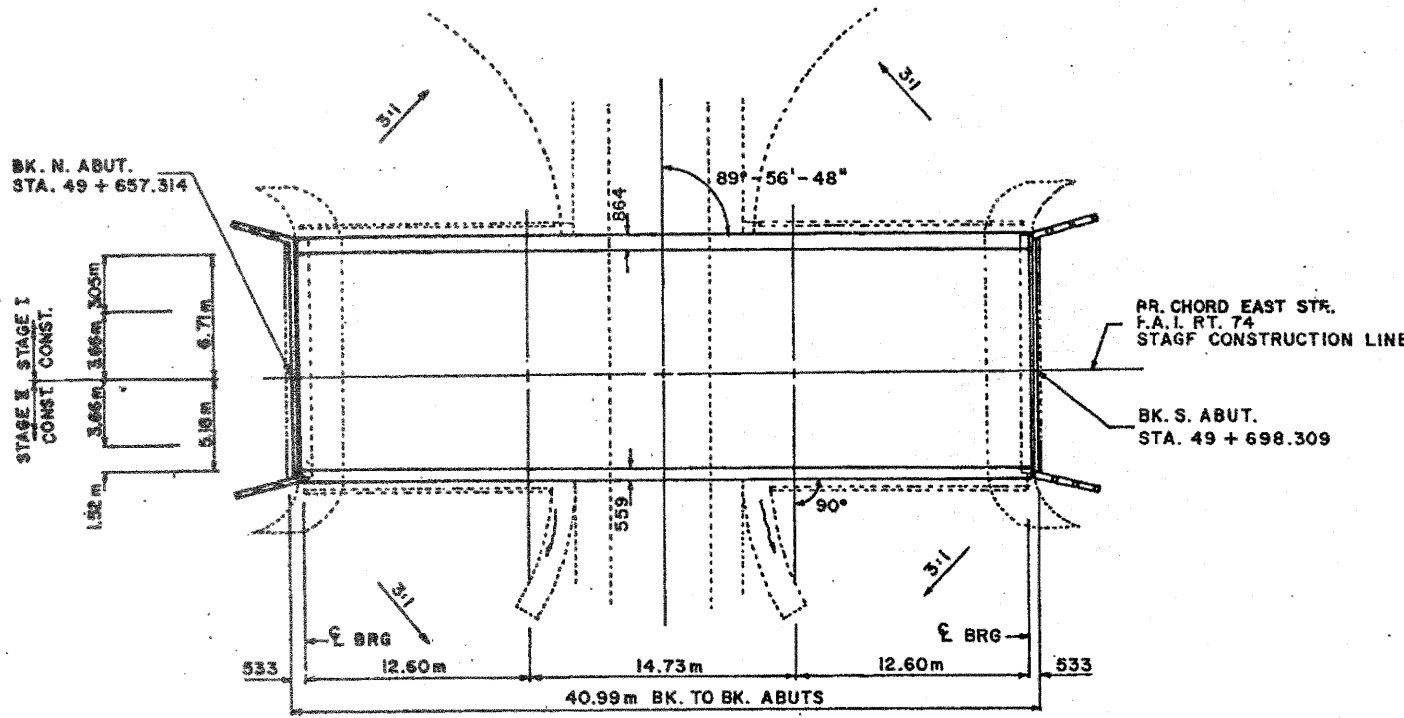
**EXISTING BRIDGE PLANS
FOR REFERENCE ONLY**

GENERAL NOTES

Reinforcements bars shall conform to the requirements of AASHTO M-31M, M-42M, OR M-53M GRADE 400.

Plan dimensions and details relative to existing structure have been taken from existing plans and are subject to nominal construction variations. It shall be the Contractor's responsibility to verify such dimensions and details in the field and make necessary approved adjustments prior to construction or ordering of materials. Such variations shall not be cause for additional compensation for a change in the scope of the work, however, the Contractor will be paid for the quantity actually furnished at the unit price bid for the work.

Any reinforcement bars that are damaged during concrete removal operations shall be replaced using an approved bar splicer or anchorage system. Cost shall be included in unit price for "Concrete Removal".



PLAN

TOTAL BILL OF MATERIALS

ITEM	UNIT	QUANTITY
CONCRETE REMOVAL	CU M	6.03
CONCRETE SUPER STRUCTURES	CU M	1.35
REINFORCEMENT BARS, EPOXY COATED	KG	140.0
BITUMINOUS CONC REMOVAL (DECK)	SQ M	458
POLY. BIT CONC SURF CSE, MIX D, CL I, TYPE 1	M TON	56
WATERPROOFING MEMBRANE SYSTEM	SQ M	458
SILICONE JOINT SEALER	METER	27.5
DECK SLAB REPAIR (PARTIAL)	SQ M	20
DECK SLAB REPAIR (FULL DEPTH, TYPE 1)	SQ M	5
DECK SLAB REPAIR (FULL DEPTH, TYPE 2)	SQ M	37
FLOOR DRAINS	EACH	12
STEEL BRIDGE RAIL	METER	82

**GENERAL PLAN
I-74 OVER T.R. 379B
F.A.I. ROUTE 74 - SECTION 37-4HB-1
HENRY COUNTY
STATION 49 + 677.812
STRUCTURE NO. 037 - 0018 (E. STRUCT.)**

DISTRICT NO. 2 DIXON
DESIGNED D. PAUSER
DRAWN D. LINK
CHECKED
DATE 10/97
SCALE

REVISED 11-20-97

FILE NAME =	USER NAME = perkinsd	DESIGNED -	REVISED -
ca:\pw_work\NPWIDOT\PERKINS\DR\des36777\02298-sht-details.dgn		DRAWN -	REVISED -
		CHECKED -	REVISED -
		DATE -	REVISED -

**STATE OF ILLINOIS
DEPARTMENT OF TRANSPORTATION**

**EXISTING BRIDGE PLANS
(FOR REFERENCE ONLY)**

F.A.I. RTE.	SECTION	COUNTY	TOTAL SHEETS	SHEET NO.
74	37-4HB,4HB-1,4HB-2/D	HENRY	148	134
CONTRACT NO. 64264				

SCALE: SHEET NO. SHEETS STA. TO STA.

ILLINOIS FED. AID PROJECT