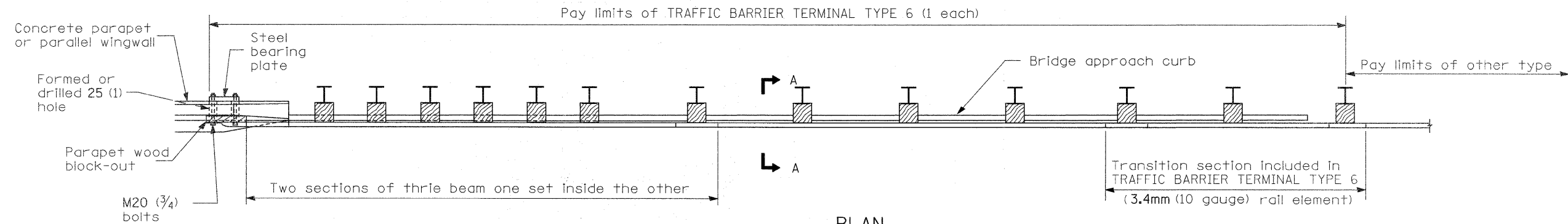
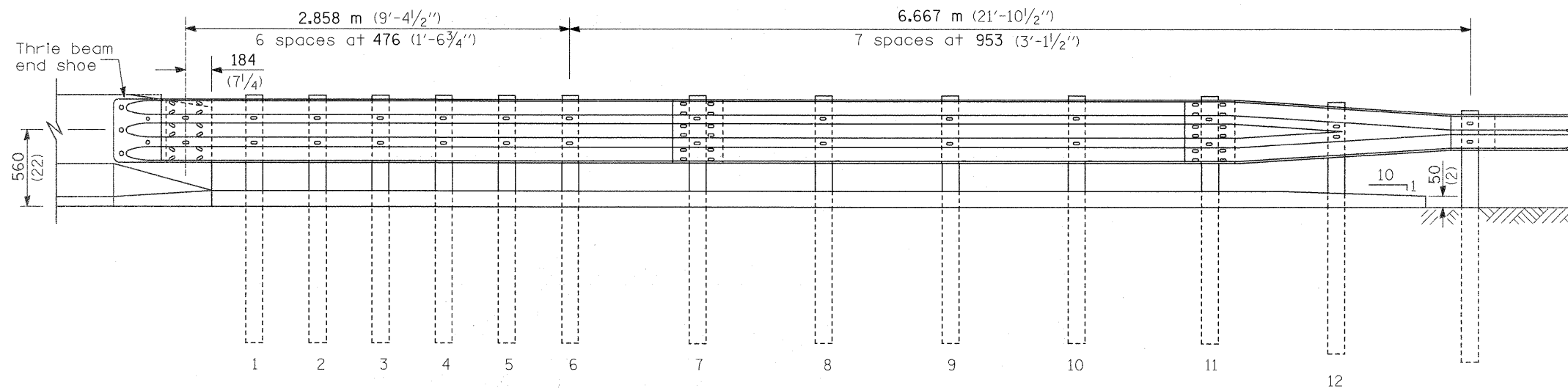


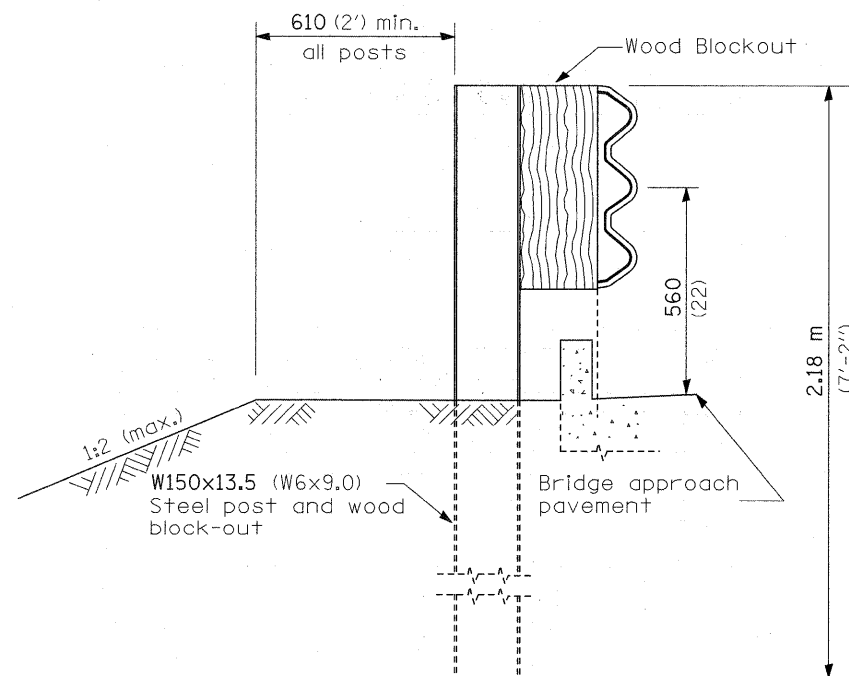
# PARAPET OR WINGWALL



PLAN



ELEVATION



SECTION A-A

## GENERAL NOTES

See Standard 630001 for details of guardrail not shown.

Thrie beam rail shall be bolted to block-out at all posts.

See Standard 420401 for details of bridge approach pavement.

All slope ratios are expressed as units of vertical displacement to units of horizontal displacement (V:H).

All dimensions are in millimeters (inches) unless otherwise shown.

FILE NAME =	USER NAME = cushmanbw	DESIGNED -	REVISED -	<b>STATE OF ILLINOIS DEPARTMENT OF TRANSPORTATION</b>	<b>TRAFFIC BARRIER TERMINAL, TYPE 6 (SPECIAL) DETAIL</b>	F.A.I. RTE.	SECTION	COUNTY	TOTAL SHEETS	SHEET NO.	
ci\pwork\PMIDOT\CUSHMANBW\dms36777\200298-sht-detail.dgn	200298-sht-detail.dgn	DRAWN -	REVISED -			74	37-(4HB,4HB-1,4HB-2)D	HENRY	148	138	
PLOT SCALE = 50.0000' / IN.		CHECKED -	REVISED -			CONTRACT NO. 64264					
PLOT DATE = Wed Aug 05 13:33:00 2009		DATE -	REVISED -			SCALE:	SHEET NO. 1 OF 3 SHEETS	STA.	TO STA.	ILLINOIS FED. AID PROJECT	