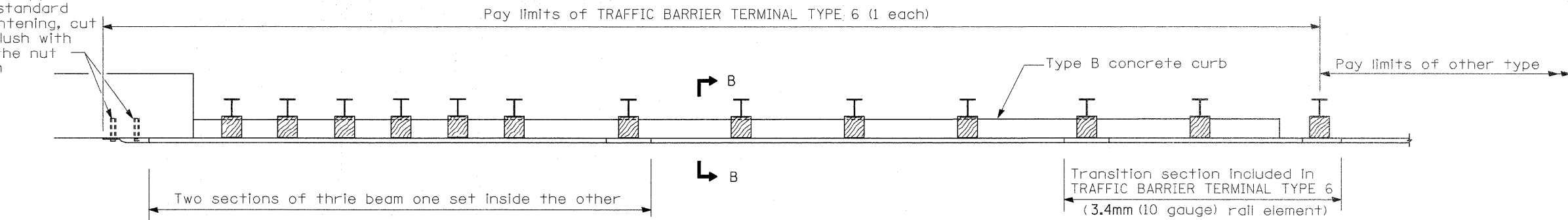
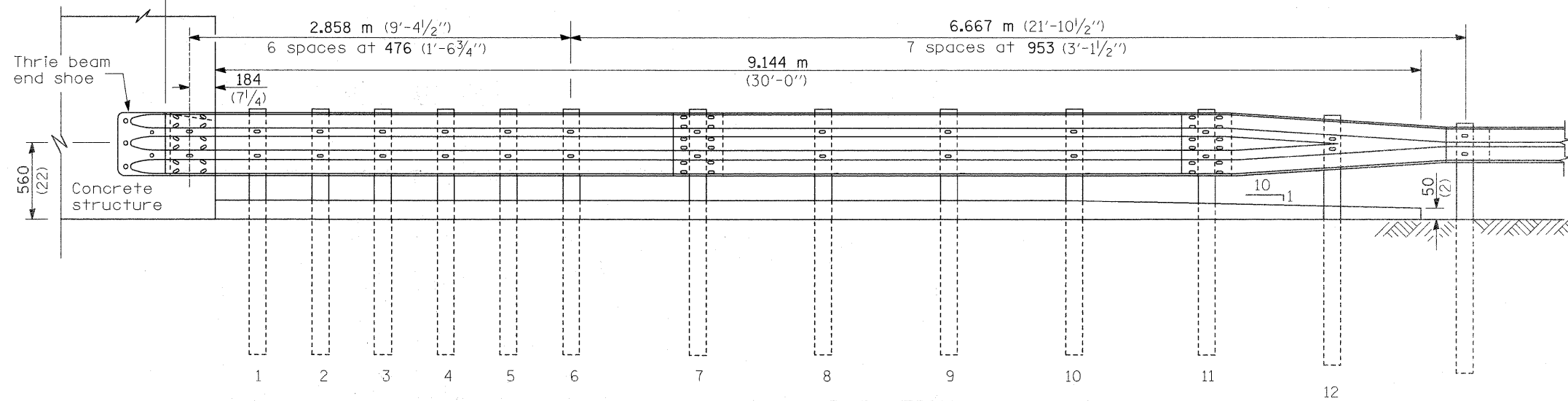


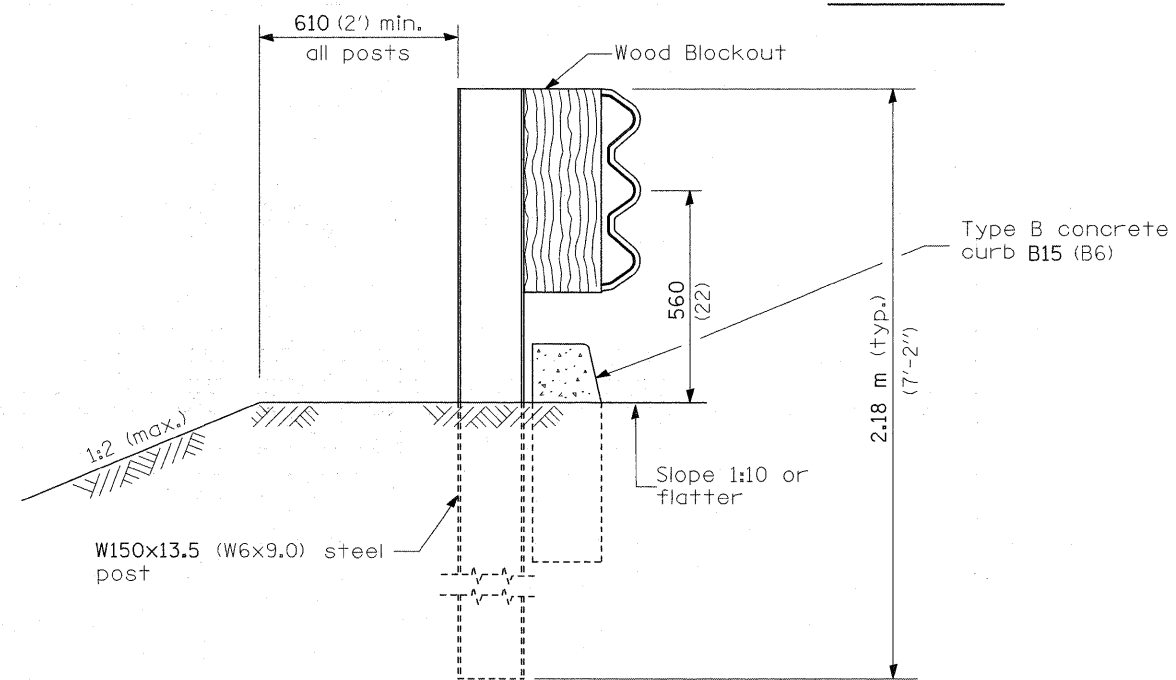
5 Epoxy grouted M20 (3/4) anchor bolts with standard washers. After tightening, cut the anchor bolts flush with nuts, and damage the nut to prevent it from loosening.



PLAN



ELEVATION



SECTION B-B

FILE NAME =	USER NAME = cushmanbw	DESIGNED -	REVISED -	STATE OF ILLINOIS DEPARTMENT OF TRANSPORTATION	TRAFFIC BARRIER TERMINAL, TYPE 6 (SPECIAL) DETAIL	F.A.I. RTE.	SECTION	COUNTY	TOTAL SHEETS	SHEET NO.
01\pwork\VPWIDOT\CUSHMANBW\dms36777\200298-sht-details.dgn		DRAWN -	REVISED -			74	37-(4HB,4HB-1,4HB-2)D	HENRY	148	139
PLOT SCALE = 50.0000 ' / IN.		CHECKED -	REVISED -			SCALE: SHEET NO. 2 OF 3 SHEETS STA. TO STA.		CONTRACT NO. 64264		
PLOT DATE = Wed Aug 05 13:33:00 2009		DATE -	REVISED -			ILLINOIS FED. AID PROJECT				