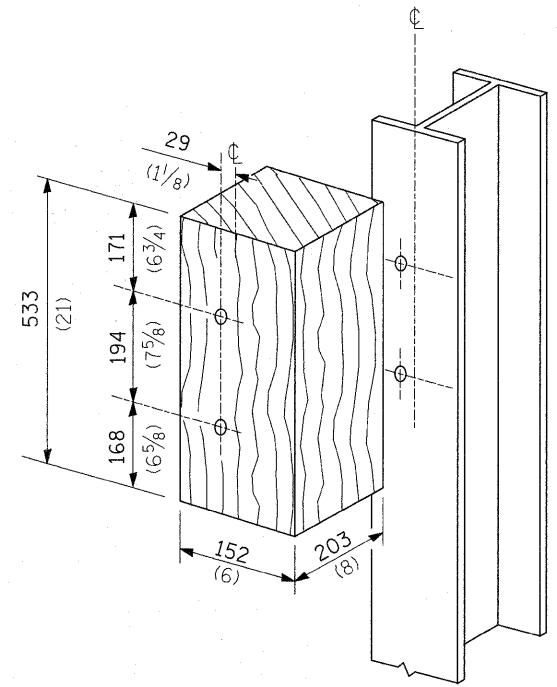
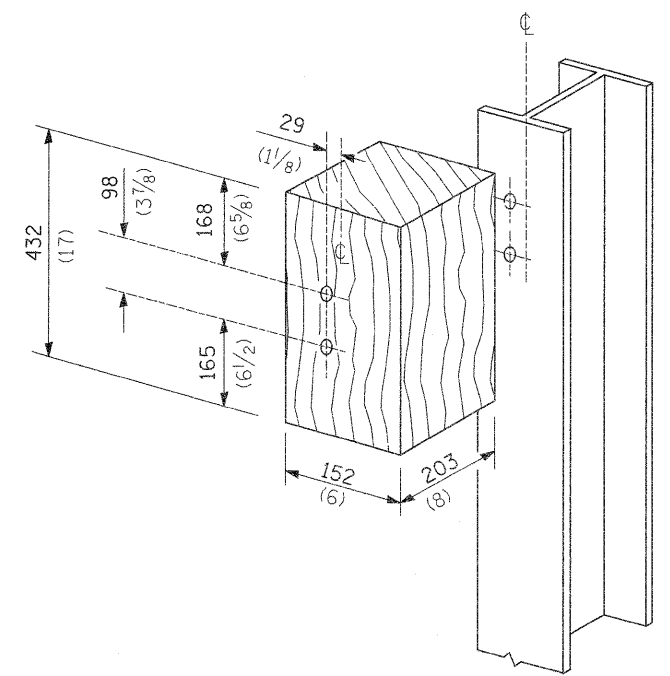


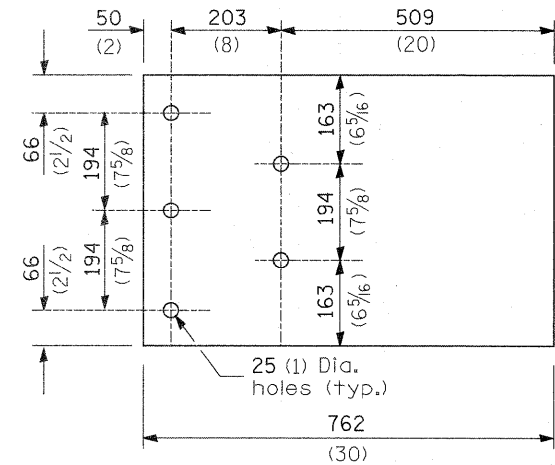
THRIE BEAM END SHOE DETAIL



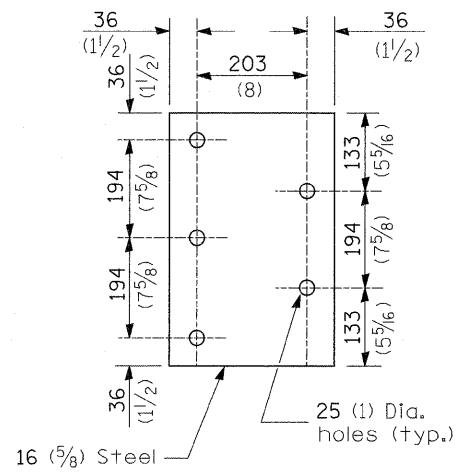
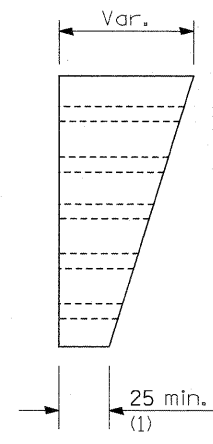
POSTS 1-11 WOOD BLOCKOUT DETAIL



POST 12 WOOD BLOCKOUT DETAIL



PARAPET WOOD BLOCK-OUT DETAIL



PARAPET STEEL BEARING PLATE DETAIL

(5 each individual 125x125x16 (5x5x5/8) steel plates with centered 25 (1) holes may be substituted for the plate shown.)

FILE NAME =	USER NAME = cushmanbw	DESIGNED -	REVISED -	STATE OF ILLINOIS DEPARTMENT OF TRANSPORTATION	TRAFFIC BARRIER TERMINAL, TYPE 6 (SPECIAL) DETAIL	F.A.I. RTE.	SECTION	COUNTY	TOTAL SHEETS	SHEET NO.	
ct:\pwwork\PMIDOT\CUSHMANBW\dms36777.d	02298-sht-details.dgn	DRAWN -	REVISED -			74	37-(4HB,4HB-1,4HB-2)D	HENRY	148	140	
PLOT SCALE = 50.0000' / IN.	CHECKED -	REVISED -	REVISED -			CONTRACT NO. 64264					
PLOT DATE = Wed Aug 05 13:33:01 2009	DATE -	REVISED -	REVISED -			SCALE:	SHEET NO. 3 OF 3 SHEETS	STA.	TO STA.	ILLINOIS FED. AID PROJECT	