

When "A" is 3'-6" or less, the temporary concrete barrier shall be anchored to the new slab according to Detail I or Detail II. No anchorage is required when "A" is greater than 3'-6".

NEW SLAB

EXISTING SLAB

EXISTING DECK BEAM

Drill 3-1/4" ϕ Holes in existing slab for 1" ϕ x 11" dowel bars. Traffic side only. Cost included with Temporary Concrete Barrier.

See Detail I or Detail II.

NOTES

Detail I - With Bar Splicer or Couplers: Connect one (1) 1"x7"x10" steel \bar{r} to the top layer of couplers with 2-5/8" ϕ bolts screwed to coupler at approximate \bar{c} of each barrier panel.

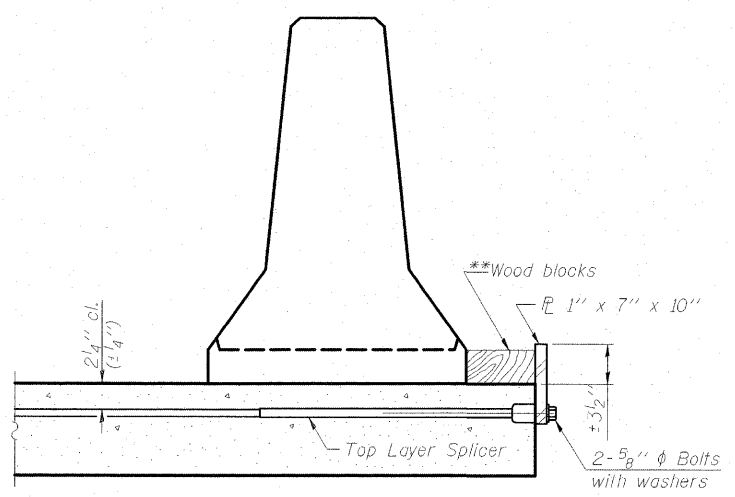
Detail II - With Extended Reinforcement Bars: Connect one (1) 1"x7"x10" steel \bar{r} to the concrete slab or concrete wearing surface with 2-5/8" ϕ Expansion Anchors or cast in place inserts spaced between the top layer of reinforcement at approximate \bar{c} of each barrier panel.

Cost of anchorage is included with Temporary Concrete Barrier. The 1" x 7" x 10" plate shall not be removed until stage II construction forms and all reinforcement bars are in place and the concrete is ready to be placed.

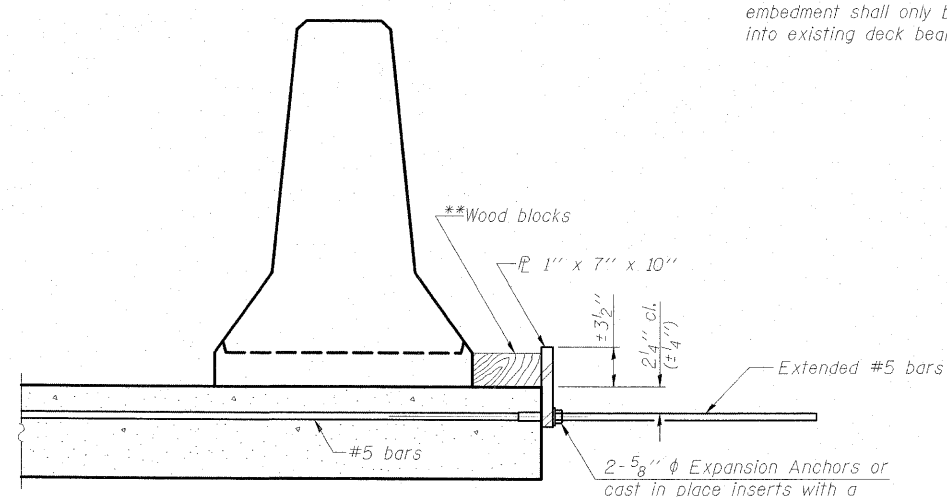
SECTIONS THRU SLAB OR DECK BEAM

*** Dimension shown is minimum required embedment into concrete. If hot-mix asphalt wearing surface is present, minimum embedment shall be in addition to wearing surface depth.

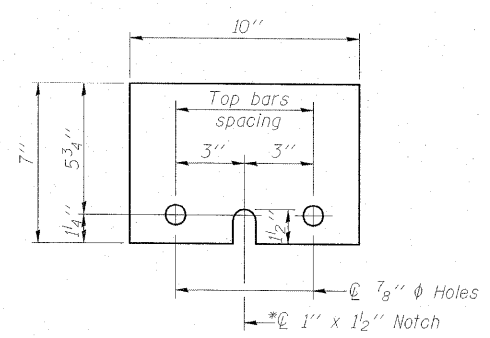
**** If existing deck beam is to remain in place after stage construction, embedment shall only be into wearing surface and not into existing deck beam concrete.



DETAIL I



DETAIL II



STEEL RETAINER \bar{r} 1" x 7" x 10"

* Required only with Detail II

**Wood blocks may be omitted when required to provide minimum stage traffic lane width. When the wood blocks are omitted, the concrete barrier shall be in direct contact with the steel retainer plate.

**TEMPORARY CONCRETE BARRIER
FOR STAGE CONSTRUCTION
IL ROUTE 82 OVER ELKS BRANCH
STATION 1350+29.74
STRUCTURE NO 037-2027**

PLOT DATE = 7/29/2009
 FILE NAME = Y:\81001\829-03.64A04\CB\0372027-64A04\CB\4519.dgn
 PLOT SCALE = 0.10294 " / IN.
 USER NAME = HNS

COOMBE-BLOXDORF P.C. Engineers/Land Surveyors Springfield, Illinois Design Firm License No. 184-002703	PROJECT NO. 08047 SCALE / / / DATE / / DESIGN BY / / DRAWN BY CFC CHECKED BY	SHEET NO. 3 8 SHEETS	F.A.P. RTE. 638 SECTION 129BR COUNTY HENRY CONTRACT NO. 64A04	TOTAL SHEETS 42 SHEET NO. 20
	FED. ROAD DIST. NO. ILLINOIS FED. AID PROJECT			