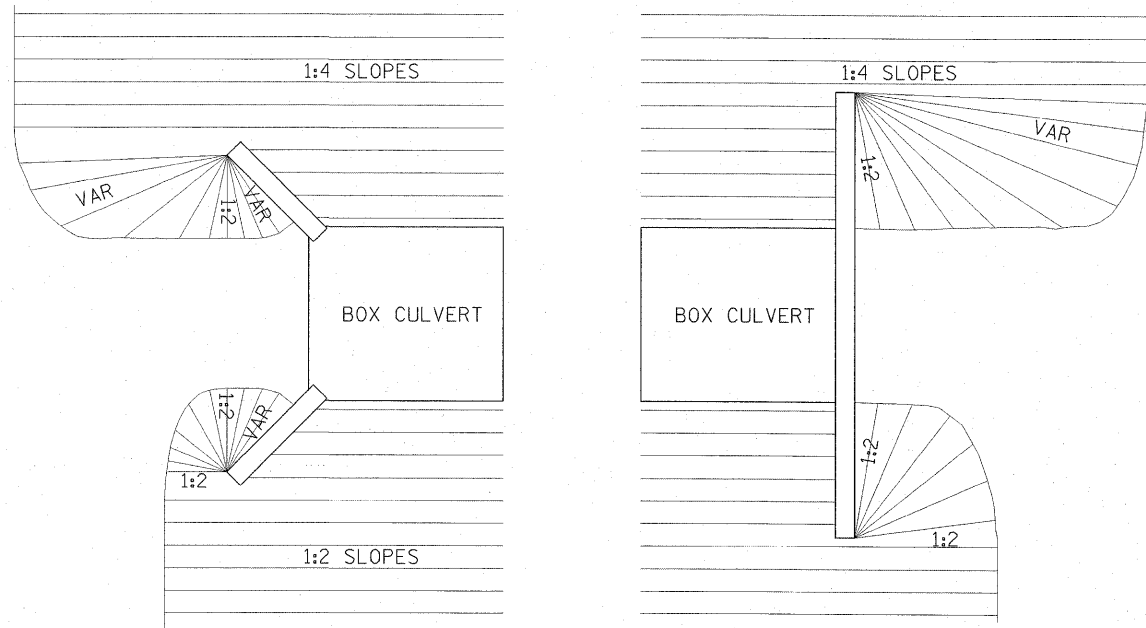


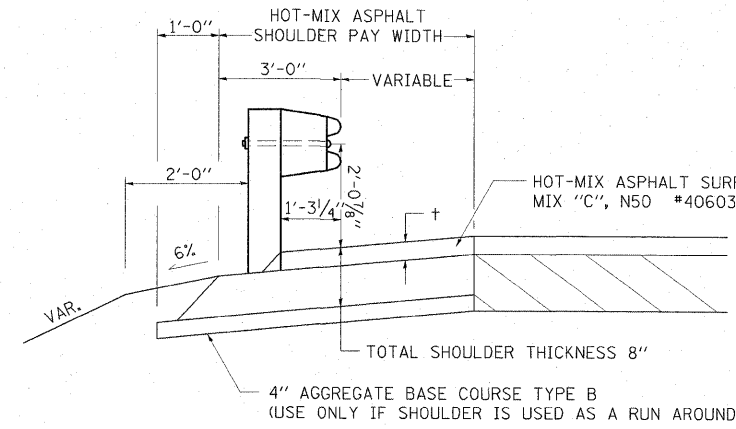
GRADING AROUND WINGWALLS



10-21-08

GRADING AROUND WINGWALLS 20.4

DETAIL OF HOT-MIX ASPHALT SHOULDER AT GUARD RAIL



+ = SEE TYPICAL SECTIONS FOR THICKNESS

GENERAL NOTES

THE TOP LIFT SHALL NOT BE PLACED BEHIND THE GUARDRAIL POSTS. WHEN PLACING THE TOP LIFT THE RAIL MUST BE REMOVED FROM THE POSTS. THE POST SHALL NOT BE REMOVED.

THE HEIGHT OF THE GUARD RAIL SHALL BE SET 2'-0 7/8" FROM THE FINISHED SURFACE.

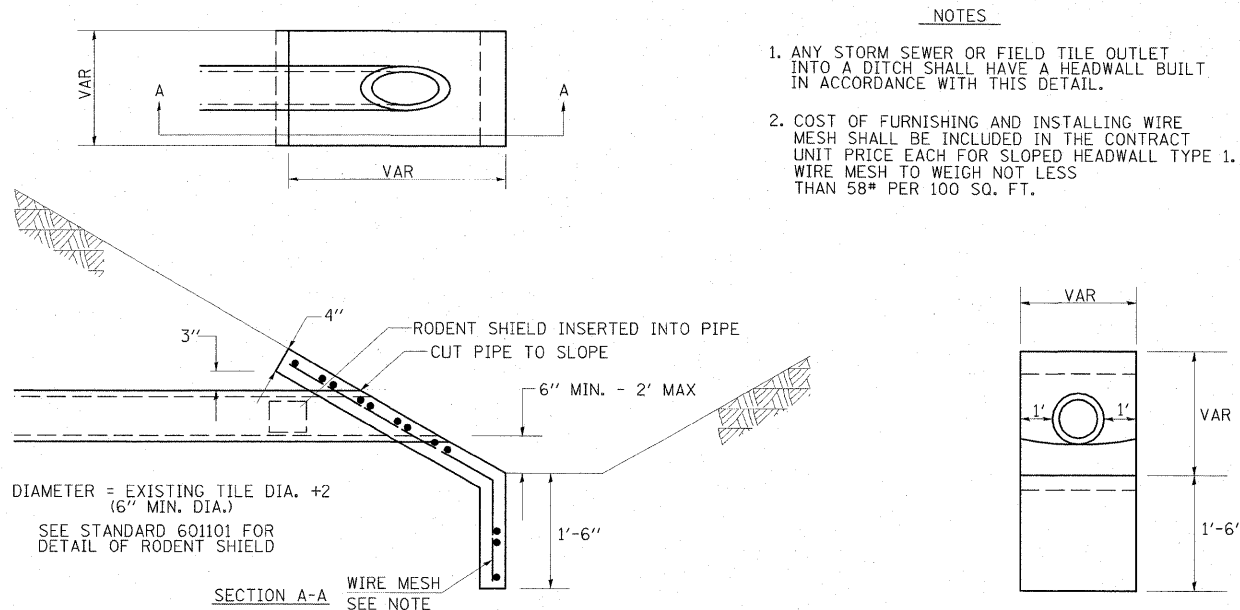
THE HOT-MIX ASPHALT SHOULDER SHALL BE CONSTRUCTED IN ACCORDANCE WITH SECTION 482 EXCEPT THE TOP LIFT SHALL BE HOT-MIX ASPHALT SURFACE COURSE, MIXTURE C, N50. THE WORK WILL BE PAID FOR AT THE CONTRACT UNIT PRICE PER TON FOR HOT-MIX ASPHALT SURFACE COURSE, MIXTURE "C", N50 AND SQUARE METER (SQUARE YARD) FOR HOT-MIX ASPHALT SHOULDERS OF THE THICKNESS SPECIFIED. THE REMOVAL & REINSTALLATION OF THE GUARDRAIL WILL BE INCLUDED IN THE COST OF THE HOT-MIX ASPHALT SURFACE COURSE, MIXTURE C, N50.

DETAIL OF HOT-MIX ASPHALT SHOULDER AT GUARDRAIL

REVISED - 11-01-07

DETAIL OF HOT-MIX ASPHALT SHOULDER AT GUARD RAIL 23.4

SLOPED HEADWALL TYPE 1 FOR FIELD TILE OUTLETS



NOTES

1. ANY STORM SEWER OR FIELD TILE OUTLET INTO A DITCH SHALL HAVE A HEADWALL BUILT IN ACCORDANCE WITH THIS DETAIL.
2. COST OF FURNISHING AND INSTALLING WIRE MESH SHALL BE INCLUDED IN THE CONTRACT UNIT PRICE EACH FOR SLOPED HEADWALL TYPE 1. WIRE MESH TO WEIGH NOT LESS THAN 58* PER 100 SQ. FT.

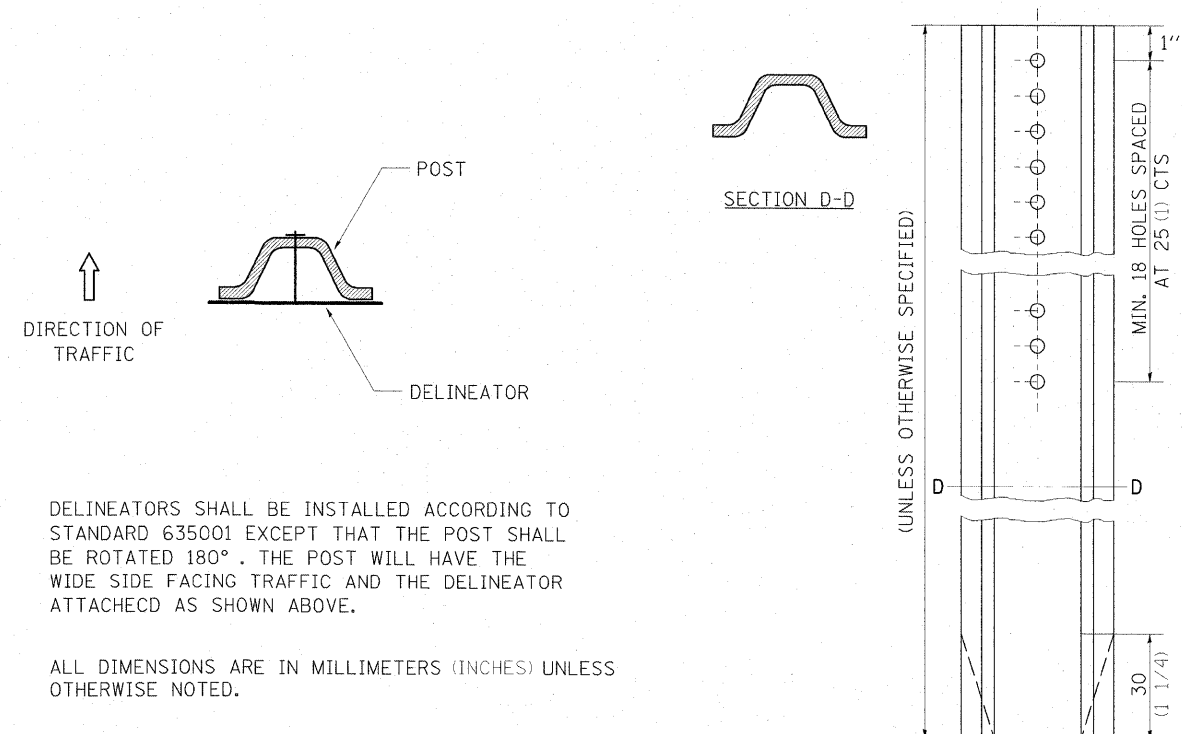
DIAMETER = EXISTING TILE DIA. +2 (6" MIN. DIA.)
SEE STANDARD 601101 FOR DETAIL OF RODENT SHIELD

SECTION A-A WIRE MESH SEE NOTE

REVISED - 10-21-08

SLOPED HEADWALL TYPE 1 FOR FIELD TILE OUTLETS 28.4

DELINEATOR AND POST ORIENTATION



DELINEATORS SHALL BE INSTALLED ACCORDING TO STANDARD 635001 EXCEPT THAT THE POST SHALL BE ROTATED 180°. THE POST WILL HAVE THE WIDE SIDE FACING TRAFFIC AND THE DELINEATOR ATTACHED AS SHOWN ABOVE.

ALL DIMENSIONS ARE IN MILLIMETERS (INCHES) UNLESS OTHERWISE NOTED.

REVISED - 11-01-07

DELINEATOR AND POST ORIENTATION 37.4

FILE NAME = D264A04-sht-deta:ls32.dgn	USER NAME = HAS	DESIGNED - JMS	REVISED -	STATE OF ILLINOIS DEPARTMENT OF TRANSPORTATION	DISTRICT 2 STANDARDS			F.A.P. RTE. 638	SECTION 129BR	COUNTY HENRY	TOTAL SHEETS 42	SHEET NO. 35
PLOT SCALE = 0.0033 ' / IN.	CHECKED - ELH	REVISIONS	CONTRACT NO. 64A04									
PLOT DATE = 7/29/2009 7:16:52 AM	DATE - 07/17/09	REVISIONS	FED. ROAD DIST. NO. ILLINOIS FED. AID PROJECT									
			SCALE: NO SCALE SHEET NO. 1 OF 8 SHEETS STA. TO STA.									