

**STAGING LEGEND**



WORK ZONE



TEMPORARY CONCRETE BARRIER



BARRICADE, OR DRUM WITH STEADY BURNING LIGHTS



ARROW BOARD



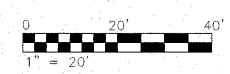
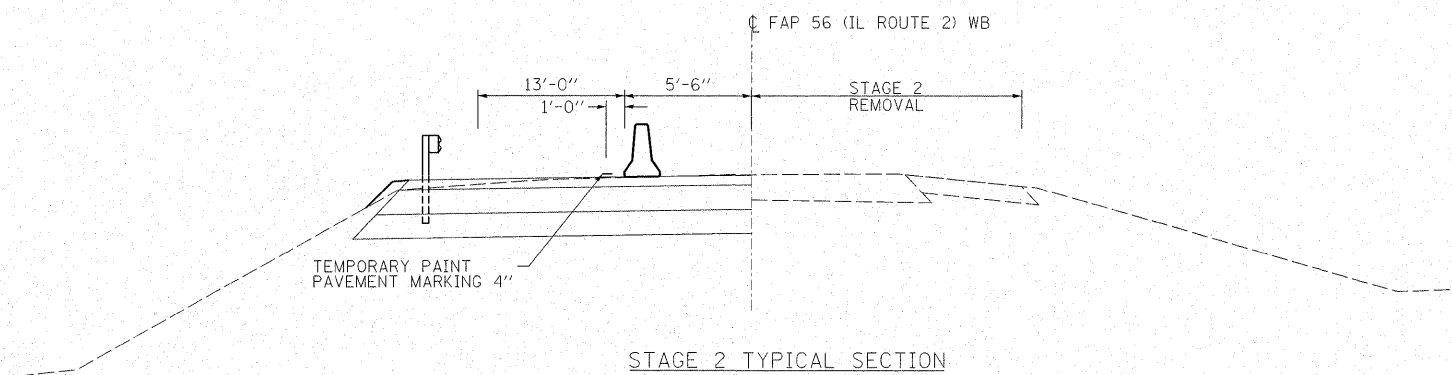
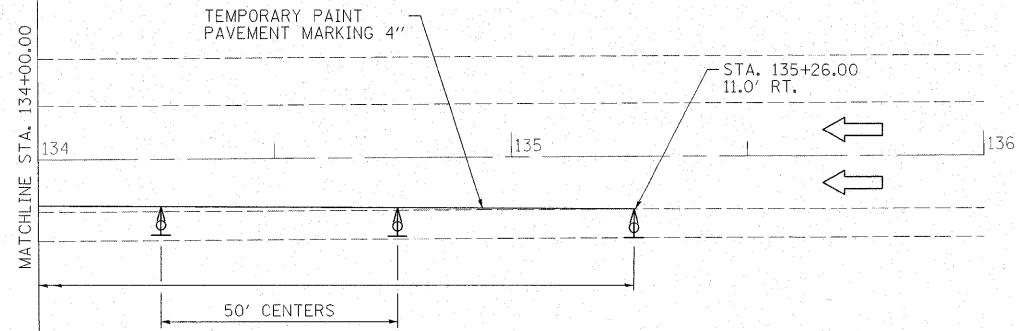
TYPE II BARRICADE, DRUM, OR VERTICAL BARRICADE WITH STEADY BURN MONODIRECTIONAL LIGHT



DIRECTION INDICATOR BARRICADE WITH STEADY BURN MONODIRECTIONAL LIGHT



LANE OPEN TO TRAFFIC



FILE NAME =	USER NAME = \$USERS\$	DESIGNED - JDS	REVISED -
\$FILEL\$		DRAWN - WLL	REVISED -
	PLOT SCALE = \$SCALE\$	CHECKED - GBM	REVISED -
	PLOT DATE = \$DATE\$	DATE -	REVISED -

**STATE OF ILLINOIS  
DEPARTMENT OF TRANSPORTATION**

**IL ROUTE 2 WB  
STAGE 2 STAGING PLAN**

F.A.P. RTE.	SECTION	COUNTY	TOTAL SHEETS	SHEET NO.
561	31-1BR-1 & 31-1BR-2	LEE	92	33
CONTRACT NO. 64B05				
FED. ROAD DIST. NO.		ILLINOIS FED. AID PROJECT		

SCALE: SHEET NO. OF SHEETS STA. TO STA.