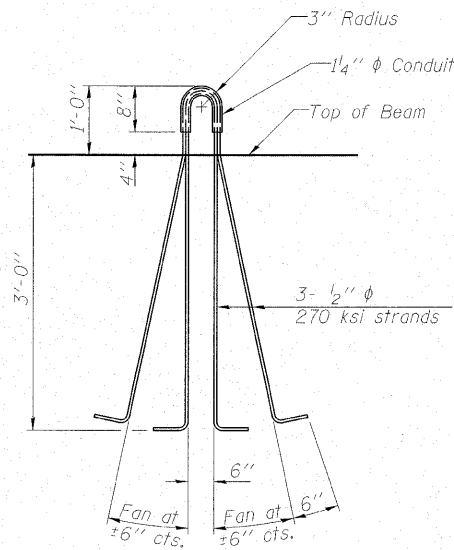
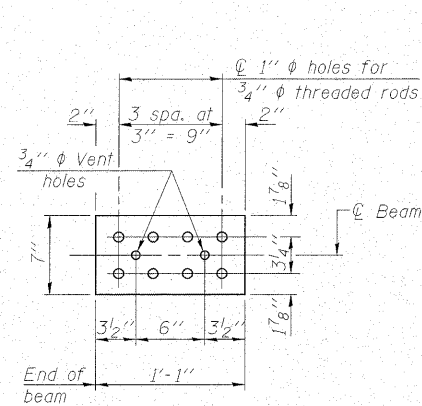


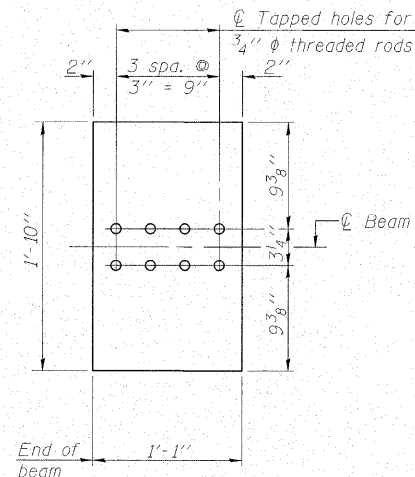
Inserts for $\frac{3}{4}$ " ϕ threaded dowel rods, when specified, are to be two strut, ferrule type for interior beams and single ferrule, flared loop type for exterior beams.
Prestressing steel shall be uncoated high strength, low relaxation 7-wire strand, Grade 270. The nominal diameter shall be $\frac{1}{2}$ " and the nominal cross-sectional area shall be 0.153 sq. in.
Reinforcement bars shall conform to ASTM A 706, Grade 60. (See Special Provisions).
A minimum $2\frac{1}{2}$ " ϕ lifting pin shall be used to engage the lifting loops during handling.
The top and bottom plates shall be AASHTO M270 Grade 50.
The bottom plates and studs shall be galvanized according to AASHTO M111.
Threaded rods shall be ASTM F 1554 Grade 55.



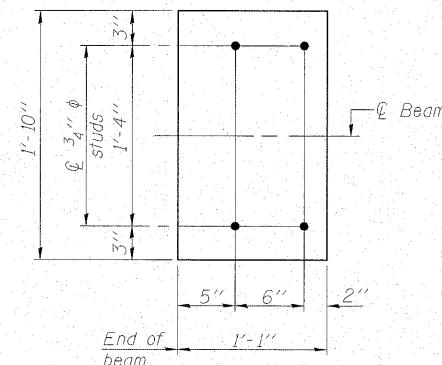
LIFTING LOOP DETAIL



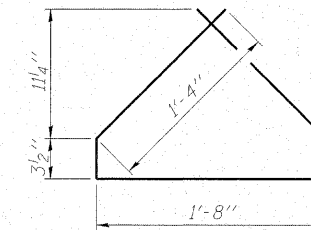
TOP PLATE



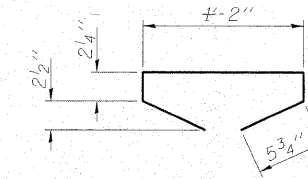
BOTTOM PLATE
(Showing threaded rods)



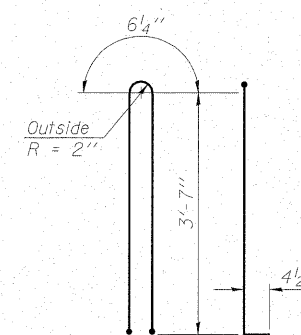
BOTTOM PLATE
(Showing studs)



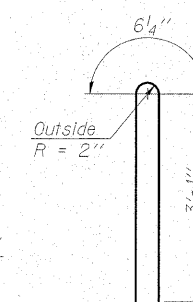
BAR G4



BAR G5



BAR G1



BAR G2

BILL OF MATERIAL

Item	Unit	Total
Furnishing and Erecting Precast Prestressed Concrete I-Beams, 42"	Fl.	360.5

42" PPC I-BEAM DETAILS
IL RTE. 2 WB OVER LITTLE CREEK
STATION 66+52.00



DESIGNED - BAS
CHECKED - KEF
DRAWN - SGM
CHECKED - RJA/KEF

SHEET NO. 14 20 SHEETS	F.A.P. RTE.	SECTION	COUNTY	TOTAL SHEETS	SHEET NO.
	561	31-1BR-1	LEE	92	47
STRUCTURE NO. 052-0078		CONTRACT NO. 64B05			
FED. ROAD DIST. NO. _ ILLINOIS FED. AID PROJECT					