

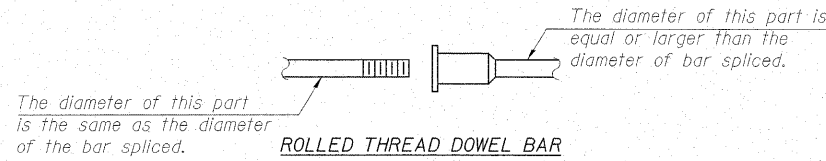
STATE OF ILLINOIS  
DEPARTMENT OF TRANSPORTATION

NOTES

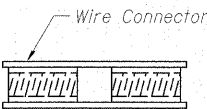
Bar splicer assemblies shall be of an approved type and shall develop in tension at least 125 percent of the yield strength of the lapped reinforcement bars.  
Splicer rods shall be of minimum 60 ksi yield strength, threaded or coiled full length.  
All reinforcement bars shall be lapped and tied to the splicer rods or dowel bars.  
Bar splicer assemblies shall be epoxy coated according to the requirements for reinforcement bars.  
Other systems of similar design may be submitted to the Engineer for approval. Approval shall be based on certified test results from an approved testing laboratory that the proposed bar splicer assembly satisfies the following requirements:

- ① Minimum Capacity (Tension in kips) =  $1.25 \times f_y \times A_t$
  - ② Minimum \*Pull-out Strength (Tension in kips) =  $0.66 \times f_y \times A_t$
- Where  $f_y$  = Yield strength of lapped reinforcement bars in ksi.  
 $A_t$  = Tensile stress area of lapped reinforcement bars.  
\* = 28 day concrete

| Bar Size to be Spliced | Splicer Rod or Dowel Bar Length | Strength Requirements        |                                       |
|------------------------|---------------------------------|------------------------------|---------------------------------------|
|                        |                                 | Min. Capacity kips - tension | Min. Pull-Out Strength kips - tension |
| #4                     | 1'-8"                           | 14.7                         | 7.9                                   |
| #5                     | 2'-2"                           | 23.0                         | 12.3                                  |
| #6                     | 2'-7"                           | 33.1                         | 17.4                                  |
| #7                     | 3'-5"                           | 45.1                         | 23.8                                  |
| #8                     | 4'-6"                           | 58.9                         | 31.3                                  |
| #9                     | 5'-9"                           | 75.0                         | 39.6                                  |
| #10                    | 7'-3"                           | 95.0                         | 50.3                                  |
| #11                    | 9'-0"                           | 117.4                        | 61.8                                  |



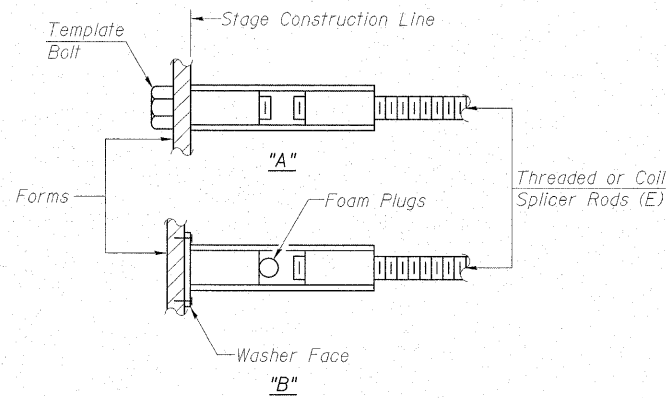
\*\* ONE PIECE



WELDED SECTIONS

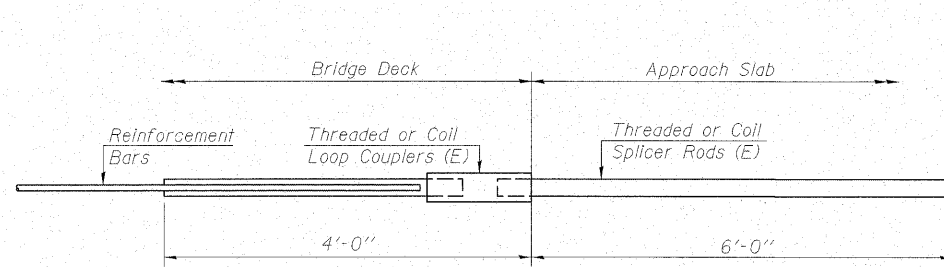
BAR SPLICER ASSEMBLY ALTERNATIVES

\*\*Heavy Hex Nuts conforming to ASTM A 563, Grade C, D or DH may be used.



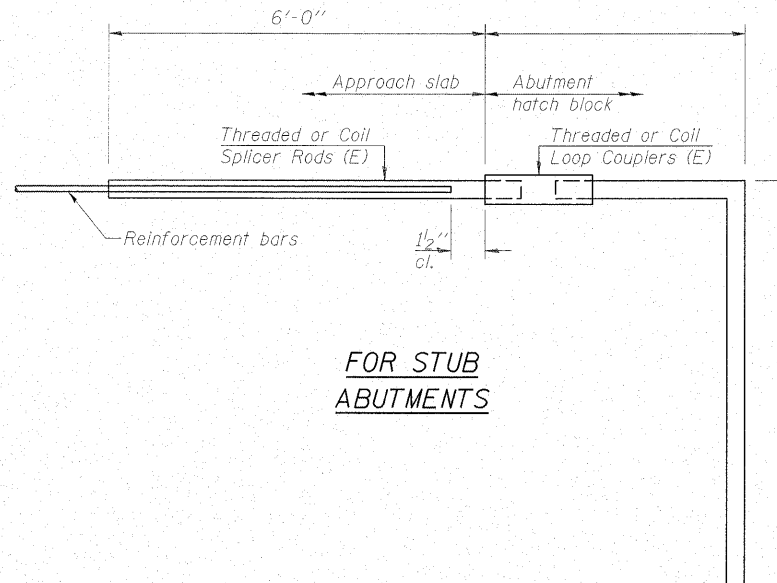
INSTALLATION AND SETTING METHODS

"A" : Set bar splicer assembly by means of a template bolt.  
"B" : Set bar splicer assembly by nailing to wood forms or cementing to steel forms.  
(E) : Indicates epoxy coating.



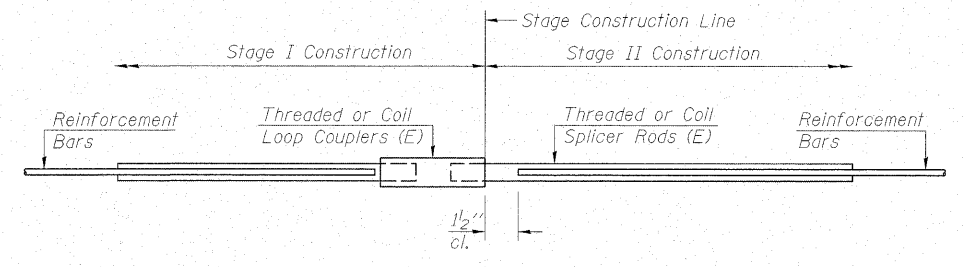
FOR INTEGRAL OR SEMI-INTEGRAL ABUTMENTS

|  |
|--|
| Bar Splicer for #5 bar                       |
| Min. Capacity = 23.0 kips - tension          |
| Min. Pull-out Strength = 12.3 kips - tension |
| No. Required = 80                            |



FOR STUB ABUTMENTS

|  |
|--|
| Bar Splicer for #5 bar                       |
| Min. Capacity = 23.0 kips - tension          |
| Min. Pull-out Strength = 12.3 kips - tension |
| No. Required =                               |



STANDARD

| Bar Size | No. Assemblies Required | Location  |
|----------|-------------------------|-----------|
| #5       | 196                     | Deck      |
| #6       | 16                      | Diaphragm |
| #7       | 20                      | Abutments |
|          |                         |           |

BAR SPLICER ASSEMBLY DETAILS  
IL RTE. 2 WB OVER LITTLE CREEK  
STATION 66+52.00

|   |                        |                     |                    |                    |                 |
|---|------------------------|---------------------|--------------------|--------------------|-----------------|
| SHEET NO. 18<br>20 SHEETS                       | F.A.P. RTE.<br>561     | SECTION<br>31-1BR-1 | COUNTY<br>LEE      | TOTAL SHEETS<br>92 | SHEET NO.<br>51 |
|   | STRUCTURE NO. 052-0078 |                     | CONTRACT NO. 64B05 |                    |                 |
| FED. ROAD DIST. NO. _ ILLINOIS FED. AID PROJECT |                        |                     |                    |                    |                 |



|                   |
|-------------------|
| DESIGNED - BAS    |
| CHECKED - KEF     |
| DRAWN - SGM       |
| CHECKED - RJA/KEF |

BSD-1

10-1-08