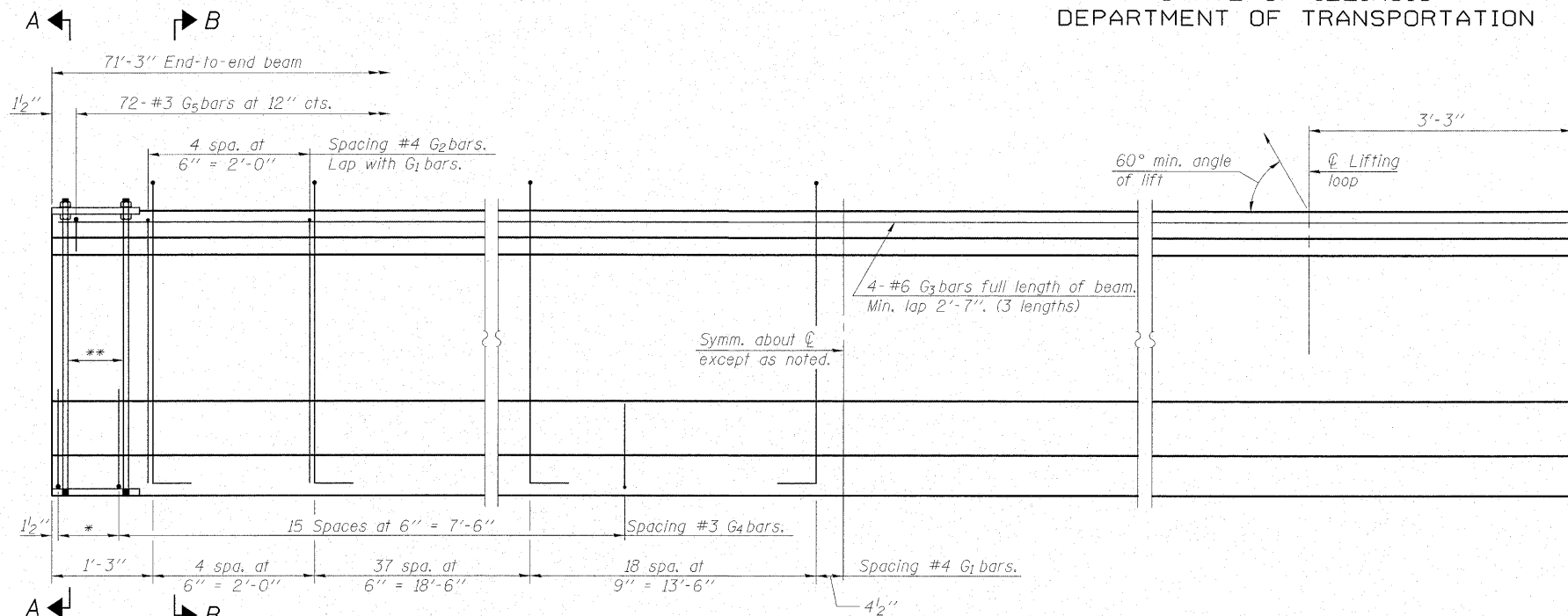
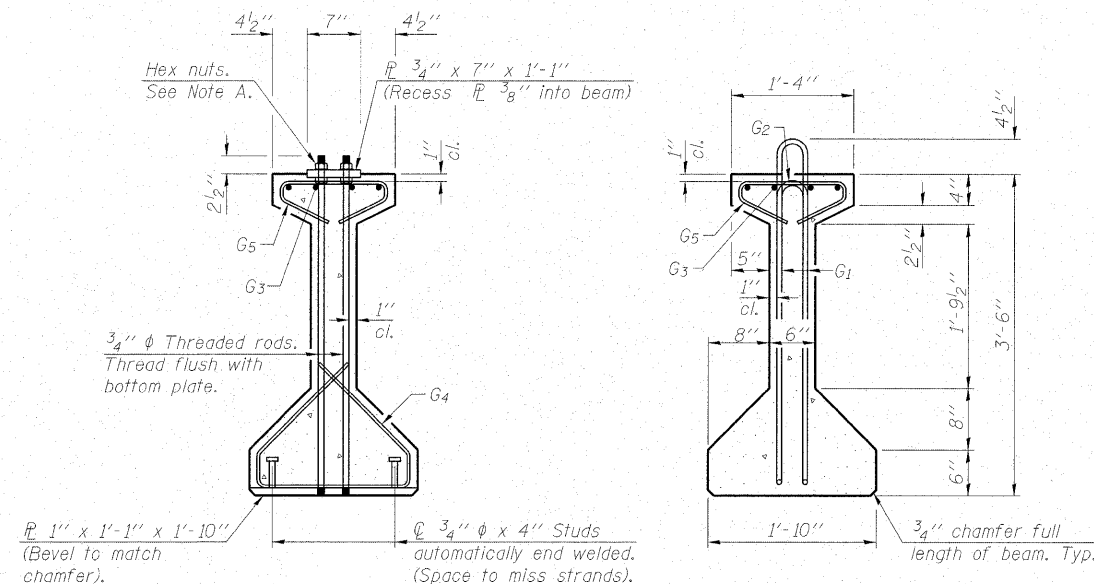


STATE OF ILLINOIS  
DEPARTMENT OF TRANSPORTATION



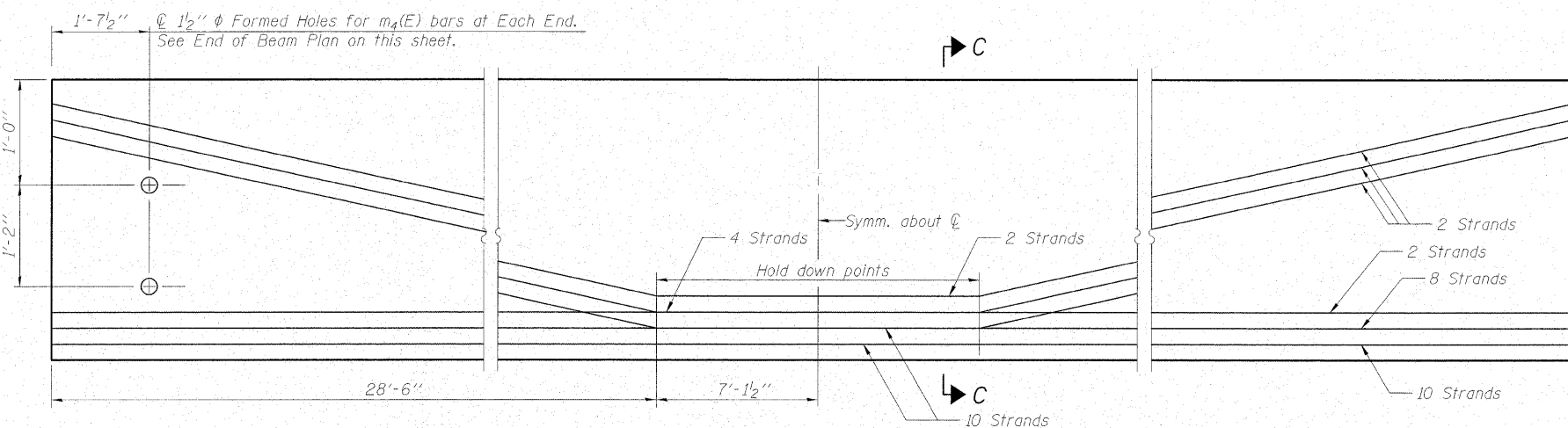
**ELEVATION OF BEAM**  
(Showing reinforcement & dimensions)

Note A:  
Hex nuts (top and bottom) with lock washers (top). Only tighten sufficiently to compress lock washers.

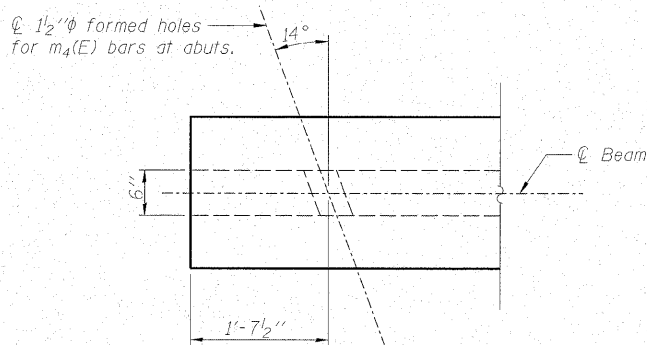


**SECTION A-A**

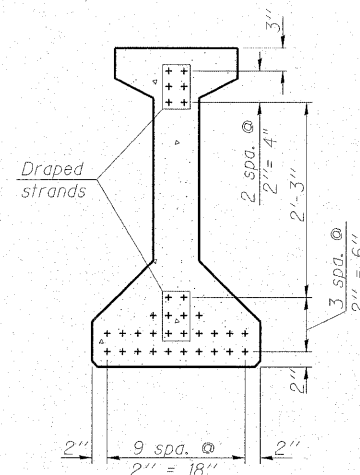
**SECTION B-B**



**ELEVATION OF BEAM**  
(Showing prestressing steel)



**END OF BEAM PLAN**



**SECTION C-C**

**\*\*\*BAR LIST  
ONE BEAM ONLY**

| Bar            | No. | Size | Length | Shape |
|----------------|-----|------|--------|-------|
| G <sub>1</sub> | 120 | #4   | 8'-5"  | ∩L    |
| G <sub>2</sub> | 10  | #4   | 6'-8"  | ∩     |
| G <sub>3</sub> | 12  | #6   | 25'-5" | —     |
| G <sub>4</sub> | 38  | #3   | 4'-11" | ∩     |
| G <sub>5</sub> | 72  | #3   | 2'-6"  | ∩     |

\*\*\*For information only

Notes:  
See sheet 14 of 20 for additional details and Bill of Material.

Required release strength, f'cl, shall be 6000 psi.



|                   |
|-------------------|
| DESIGNED - JAE    |
| CHECKED - KEF     |
| DRAWN - SGM       |
| CHECKED - RJA/KEF |

**42" PPC I-BEAM**  
**IL RTE. 2 WB OVER UNNAMED TRIBUTARY TO THE ROCK RIVER**  
**STATION 115+16.00**

|   |                        |          |                    |              |           |
|---|------------------------|----------|--------------------|--------------|-----------|
| SHEET NO. 13<br>20 SHEETS                       | F.A.P. RTE.            | SECTION  | COUNTY             | TOTAL SHEETS | SHEET NO. |
|   | 561                    | 31-1BR-2 | LEE                | 92           | 66        |
|   | STRUCTURE NO. 052-0079 |          | CONTRACT NO. 64B05 |              |           |
| FED. ROAD DIST. NO. _ ILLINOIS FED. AID PROJECT |                        |          |                    |              |           |