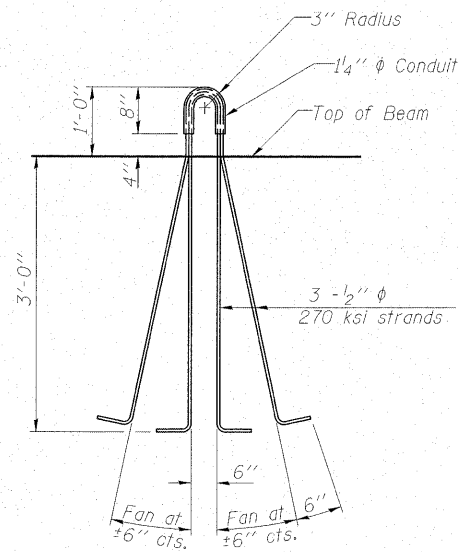


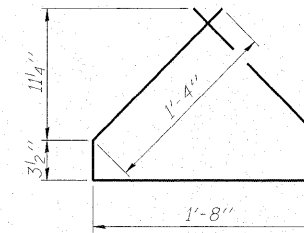
STATE OF ILLINOIS  
DEPARTMENT OF TRANSPORTATION

NOTES

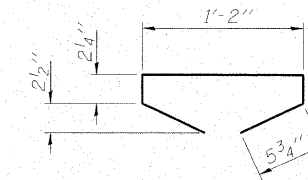
Inserts for  $\frac{3}{4}$ "  $\phi$  threaded dowel rods, when specified, are to be two strut, ferrule type for interior beams and single ferrule, flared loop type for exterior beams.  
 Prestressing steel shall be uncoated high strength, low relaxation 7-wire strand, Grade 270. The nominal diameter shall be  $\frac{1}{2}$ " and the nominal cross-sectional area shall be 0.153 sq. in.  
 Reinforcement bars shall conform to ASTM A 706, Grade 60. (See Special Provisions). A minimum  $2\frac{1}{2}$ "  $\phi$  lifting pin shall be used to engage the lifting loops during handling. The top and bottom plates shall be AASHTO M270 Grade 50. The bottom plates and studs shall be galvanized according to AASHTO M111. Threaded rods shall be ASTM F 1554 Grade 55.



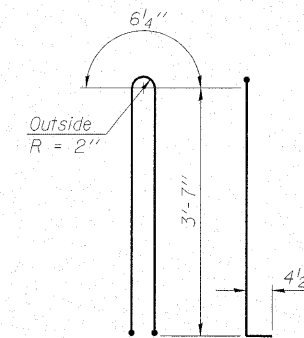
LIFTING LOOP DETAIL



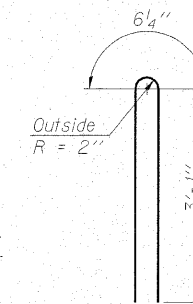
BAR G4



BAR G5



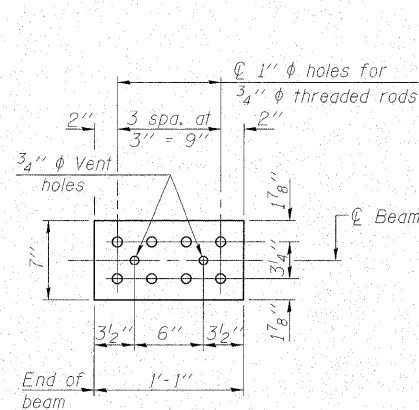
BAR G1



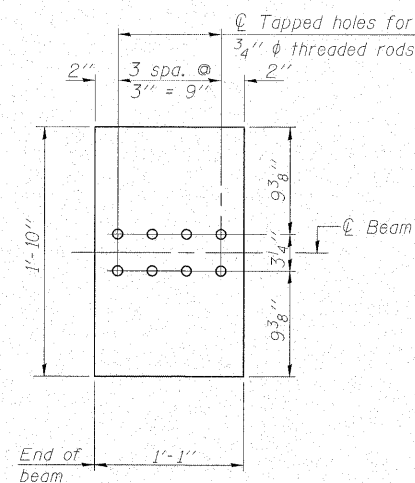
BAR G2

BILL-OF MATERIAL

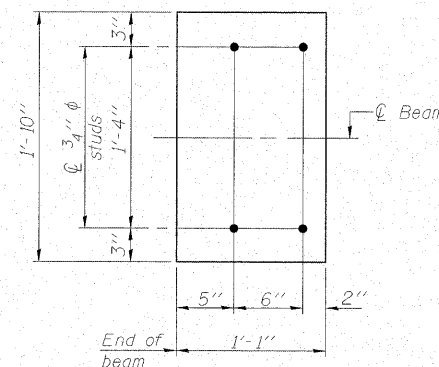
Item	Unit	Total
Furnishing and Erecting Precast Prestressed Concrete I-Beams, 42"	Ft.	427.5



TOP PLATE



BOTTOM PLATE  
(Showing threaded rods)



BOTTOM PLATE  
(Showing studs)



DESIGNED - JAE
CHECKED - KEF
DRAWN - SGM
CHECKED - RJA/KEF

42" PPC I-BEAM DETAILS

IL RTE. 2 WB OVER UNNAMED TRIBUTARY TO THE ROCK RIVER  
STATION 115+16.00

SHEET NO.	F.A.P. RTE.	SECTION	COUNTY	TOTAL SHEETS	SHEET NO.
14	561	31-1BR-2	LEE	92	67
20 SHEETS		STRUCTURE NO. 052-0079		CONTRACT NO. 64B05	
		FED. ROAD DIST. NO. ILLINOIS FED. AID PROJECT			