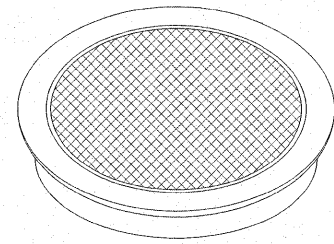
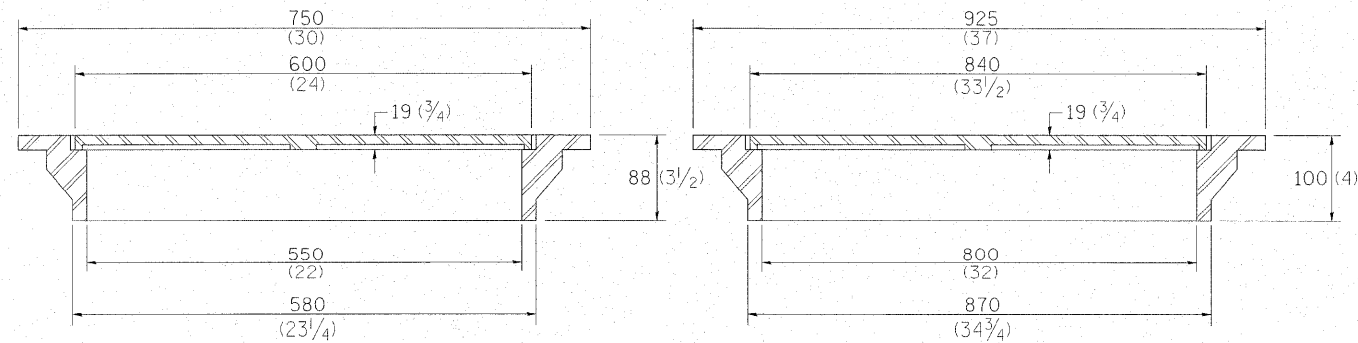


FIELD TILE JUNCTION VAULTS 600 (24) AND 900 (36) DIA.



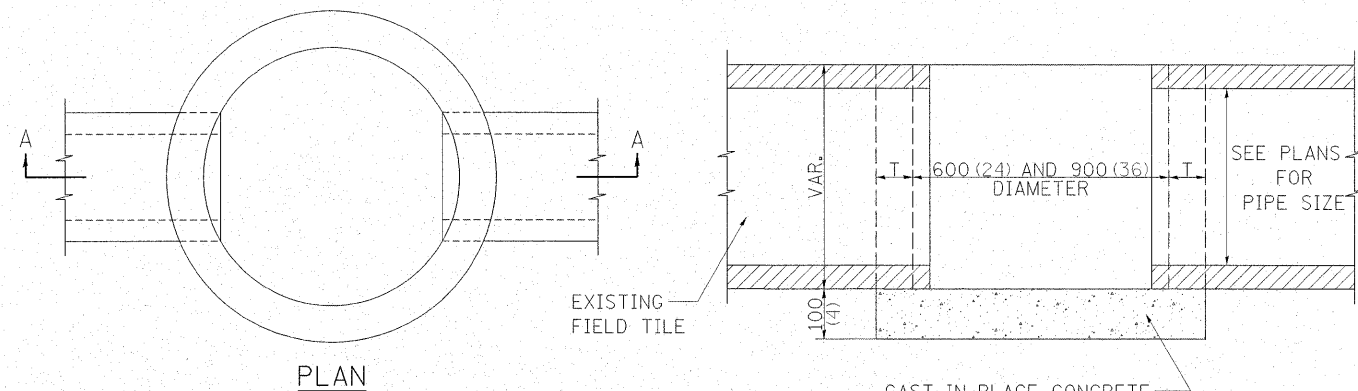
FRAME & LID FOR
600 (24) VAULT

FRAME & LID FOR
900 (36) VAULT



TOTAL WEIGHT: 66 Kg (146 lbs)

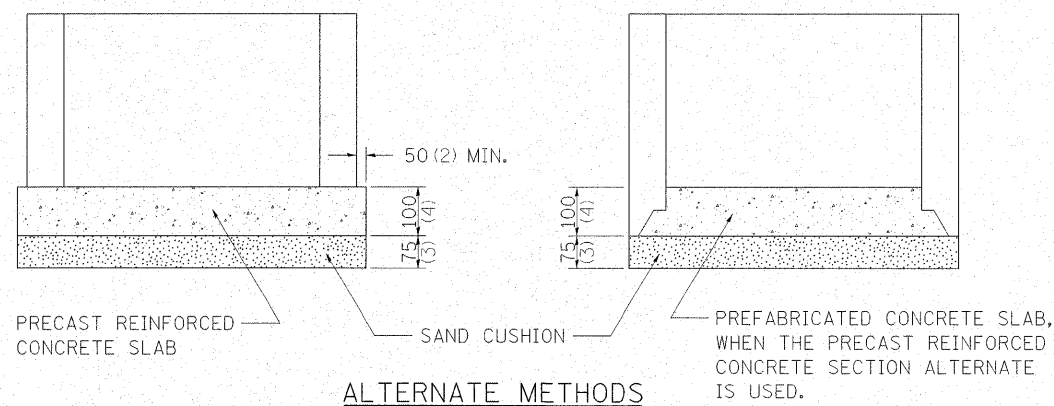
TOTAL WEIGHT: 127 Kg (280 lbs)



ALTERNATE MATERIALS FOR WALLS	T
BRICK MASONRY	200 (8)
CAST-IN-PLACE CONCRETE	150 (6)
CONCRETE MASONRY UNIT	125 (5)
PRECAST REINFORCED CONCRETE SECTION	75 (3)

NOTE: THE FRAME AND LID IS REQUIRED ON ALL JUNCTION VAULTS.

ALL DIMENSIONS ARE IN MILLIMETERS (INCHES) UNLESS OTHERWISE NOTED.



FIELD TILE JUNCTION VAULTS 600 (24) AND 900 (36) DIA. 30.2

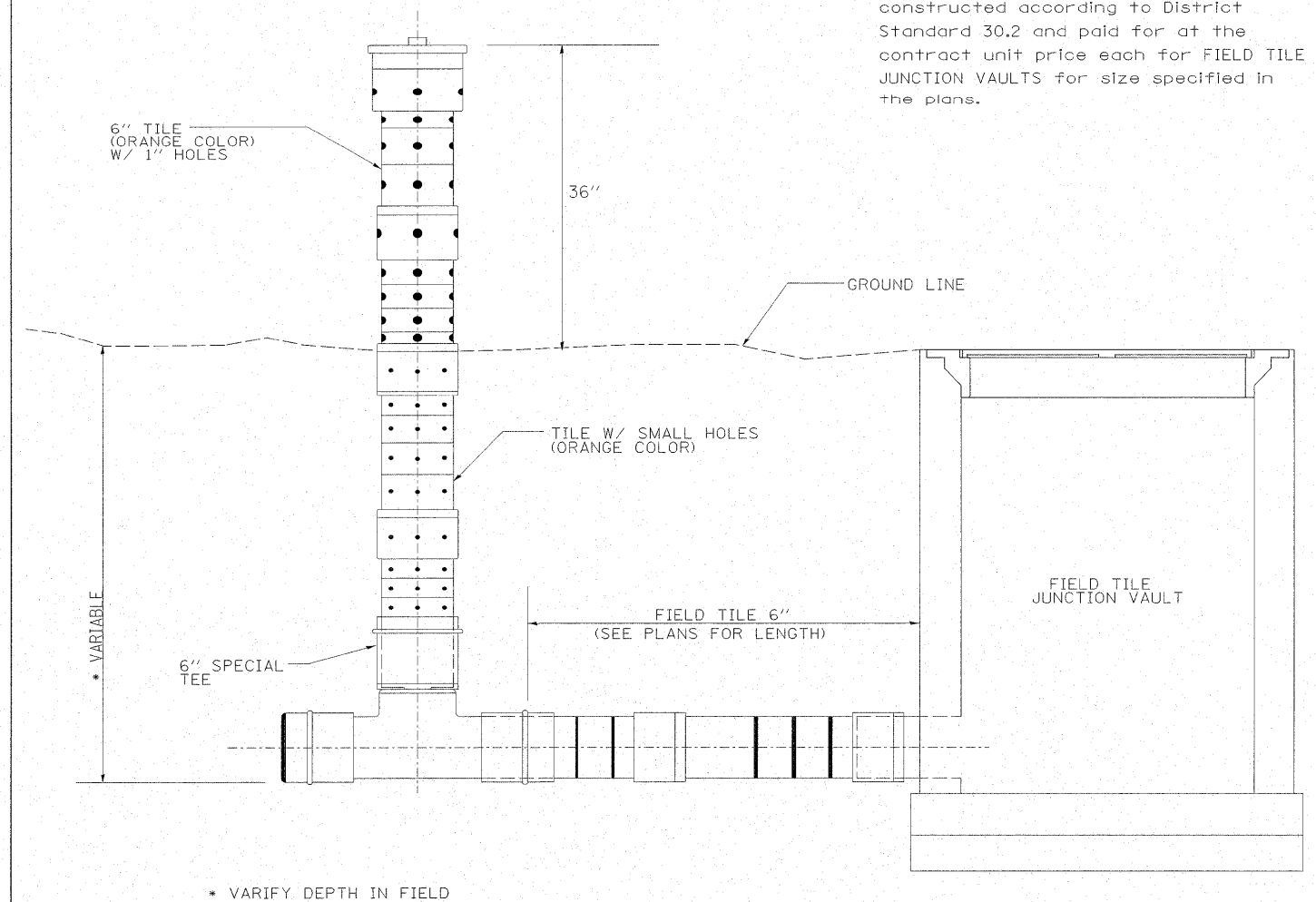
INLET STAND PIPE

Inlet Stand Pipe

Inlet Stand Pipe shall be paid for at the contract unit price each for INLET PIPE STAND. Price shall include the following items--one 36" above ground section with 1" holes, one variable depth below ground section with small holes, one 6" tee section, collars (if needed) and end caps (if needed) as directed by the engineer.

Field Tile shall be paid for at the contract unit price per foot for FIELD TILE 6".

Field Tile Junction Vault shall be constructed according to District Standard 30.2 and paid for at the contract unit price each for FIELD TILE JUNCTION VAULTS for size specified in the plans.



* VERIFY DEPTH IN FIELD

REVISED - 1-10-08

INLET STAND PIPE 34.2

REVISED -	REGION 2 / DISTRICT 2 STANDARD				F.A.P. RTE.	SECTION	COUNTY	TOTAL SHEETS	SHEET NO.
REVISED -	SCALE: #SCALE#	SHEET NO.	OF SHEETS	STA.	TO STA.	561	31-1BR-1 & 31-1BR-2	LEE	92 86
REVISED -					CONTRACT NO. 64B05				
REVISED -					FED. ROAD DIST. NO. ILLINOIS FED. AID PROJECT				

PLOT DATE = #DATE#

REVISED - 5-03-94