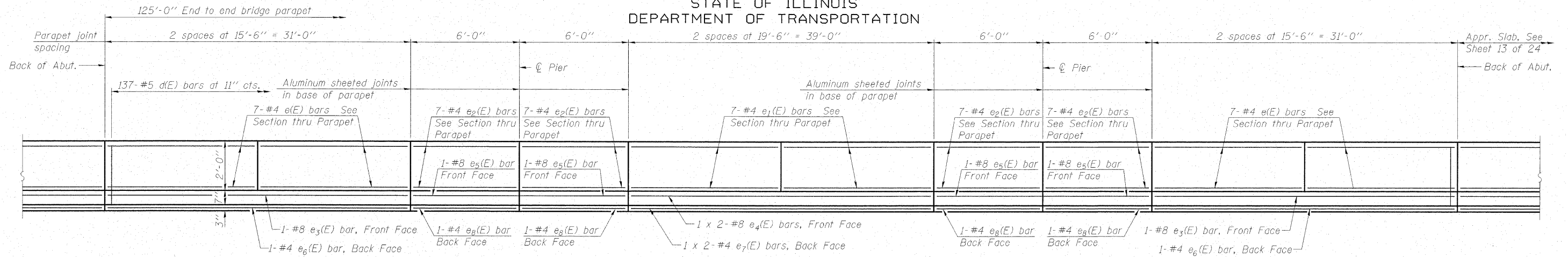
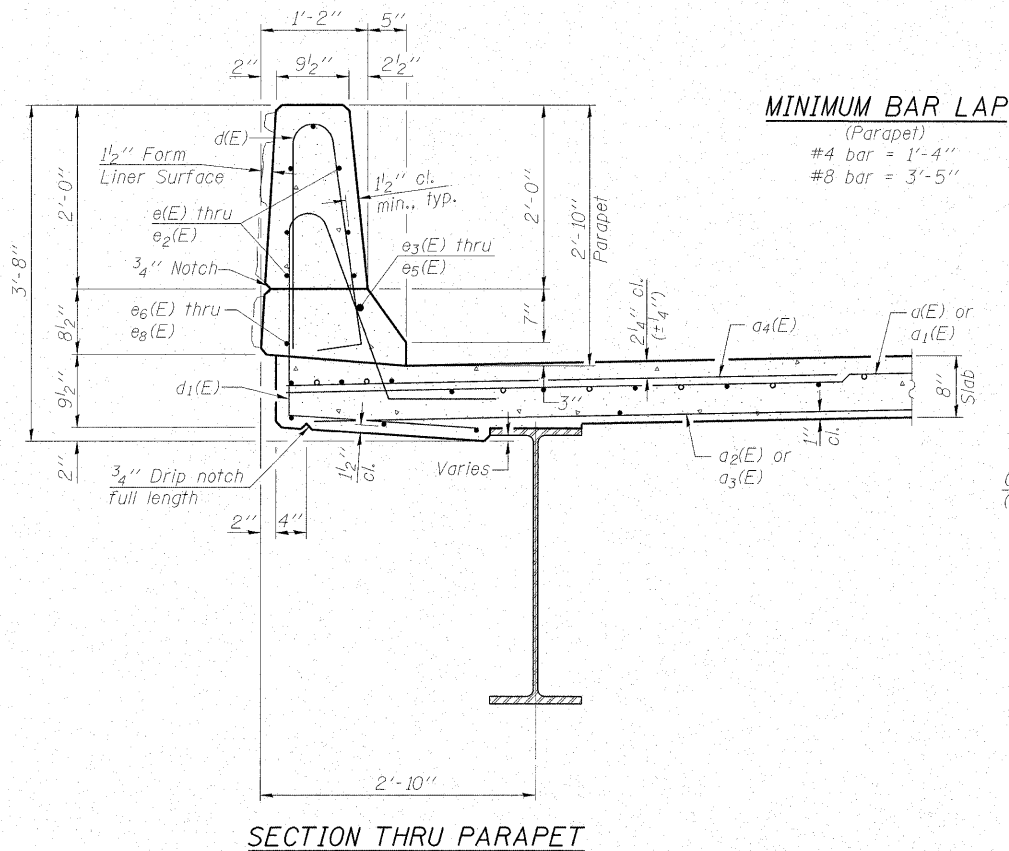


STATE OF ILLINOIS  
DEPARTMENT OF TRANSPORTATION



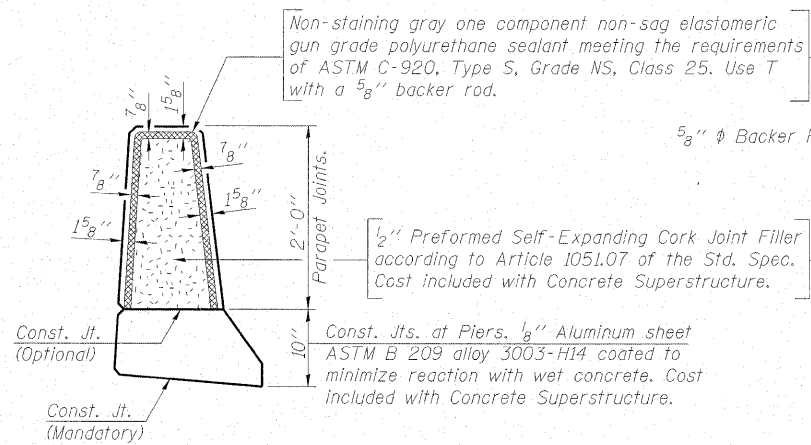
INSIDE ELEVATION OF PARAPET



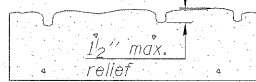
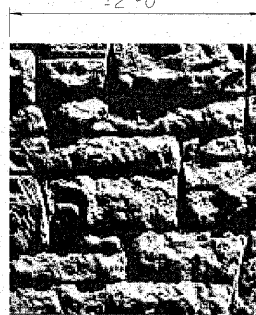
SECTION THRU PARAPET

MINIMUM BAR LAP

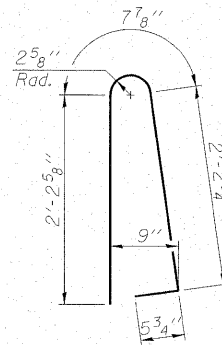
(Parapet)  
#4 bar = 1'-4"  
#8 bar = 3'-5"



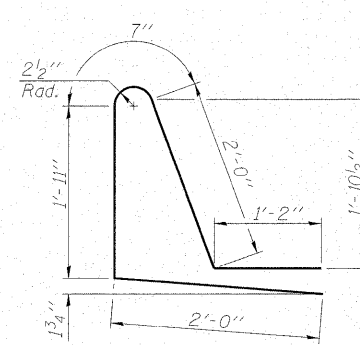
PARAPET JOINT DETAILS



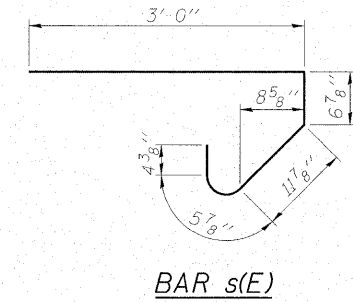
FORM LINER TEXTURE DETAIL



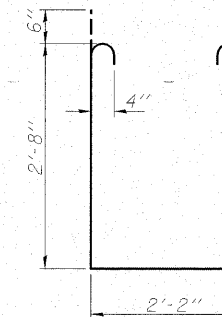
BAR d(E)



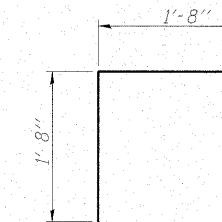
BAR d1(E)



BAR s(E)



BAR s1(E)



BAR v(E)

SUPERSTRUCTURE  
BILL OF MATERIAL

Bar	No.	Size	Length	Shape
a(E)	231	#5	18'-7"	
a1(E)	231	#5	23'-7"	
a2(E)	150	#5	18'-0"	
a3(E)	150	#5	23'-0"	
a4(E)	462	#6	6'-0"	
b(E)	235	#5	26'-4"	
b1(E)	86	#6	26'-8"	
b2(E)	258	#5	22'-3"	
d(E)	274	#5	5'-7"	
d1(E)	274	#5	7'-8"	
e(E)	56	#4	15'-2"	
e1(E)	28	#4	19'-2"	
e2(E)	56	#4	5'-8"	
e3(E)	4	#8	30'-8"	
e4(E)	4	#8	21'-2"	
e5(E)	8	#8	5'-8"	
e6(E)	4	#4	30'-8"	
e7(E)	4	#4	20'-1"	
e8(E)	8	#4	5'-8"	
m(E)	10	#6	18'-9"	
m1(E)	10	#6	23'-9"	
m2(E)	28	#6	8'-2"	
m3(E)	10	#6	5'-11"	
m4(E)	4	#6	2'-6"	
m5(E)	2	#6	3'-5"	
m6(E)	2	#6	2'-2"	
s(E)	100	#5	5'-5"	
s1(E)	86	#4	8'-6"	
v(E)	90	#5	3'-4"	
Reinforcement Bars, Epoxy Coated		Pound	44860	
Concrete Superstructure		Cu. Yd.	190.4	
Form Liner Textured Surface		Sq. Ft.	678	

Bars indicated thus 1 x 2-#5 etc. indicates 1 line of bars with 2 lengths per line.

SUPERSTRUCTURE DETAILS  
STRUCTURE NO. 037-0175

SHEET NO.	F.A.P. RTE.	SECTION	COUNTY	TOTAL SHEETS	SHEET NO.
10	638	129 BR-3	HENRY	73	27
24 SHEETS					
CONTRACT NO. 64B08					
FED. ROAD DIST. NO. ILLINOIS FED. AID PROJECT					



DESIGNED -	BAS
CHECKED -	KEF
DRAWN -	SGM
CHECKED -	RJA/KEF

Notes:  
Form Liner Textured Surface to be used on outside face of parapets. Utilize Custom Rock Formliner Pattern #1118 Sherman Avenue Stone or equivalent.  
The depth of relief of the Form Liner Textured Surface should not compromise the reinforcement clearance in the parapet.