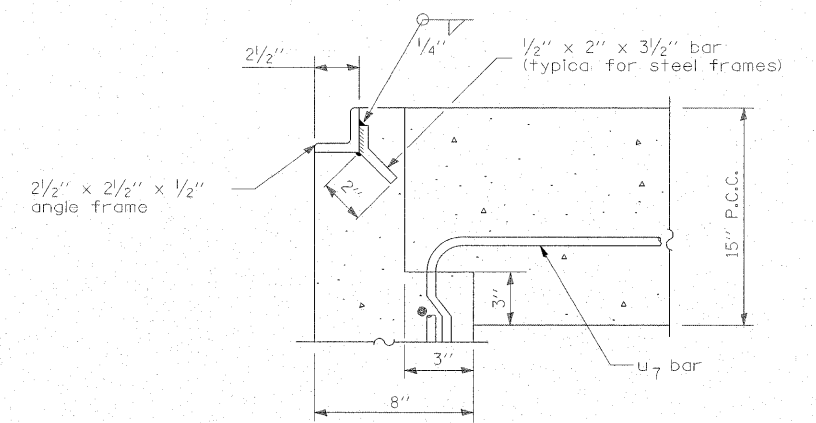
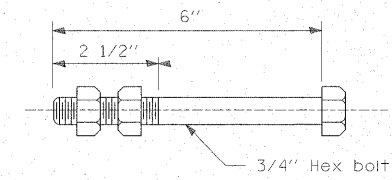


INLET TYPE (Special)	SHOULDER WIDTH	0-0 GRATING FRAME	INLET BOX INSIDE WIDTH (W)	INLET BOX INSIDE LENGTH	UPSTREAM INLET DEPTH (Y)	DOWNSTREAM INLET DEPTH (Z)
Type B	Less than 5'	2' - 3'	1' - 10"	18"	2' - 2"	Z = Y + [X - 2(W + 3')]0.03
Type C	5' - 6'	4' - 4"	3' - 11"	18"	2' - 4"	
Type D	Greater than 6'	6' - 5"	6' - 0"	18"	2' - 6"	

INLET DEPTH TABLE



DETAIL D



ANCHOR BOLT

(Used to tie pipe to concrete collar for pipe drain only)

GENERAL NOTES

This work shall be paid for at the contract unit price per Each for Type D Inlet Box, Standard 609001 (Special).

THICKNESS - "t" = thickness of existing pavement.

All exposed edges of the inlet, except the upper perimeter, shall be beveled 3/4".

All dimensions are in inches.

See Standard 420001 for joint details not shown.

See Standard 609001 for frame and grate details.