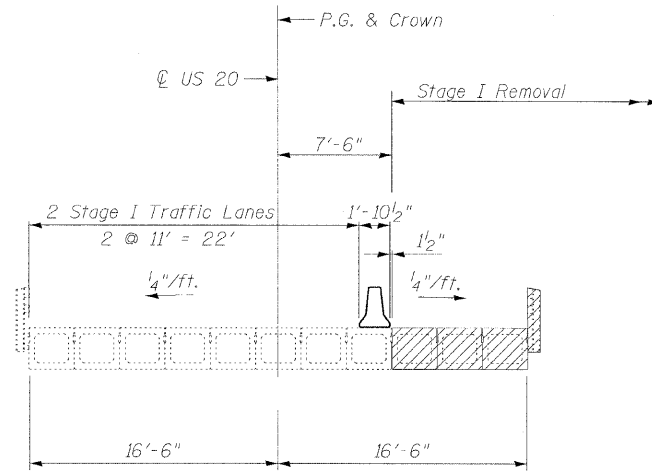


STATE OF ILLINOIS
DEPARTMENT OF TRANSPORTATION

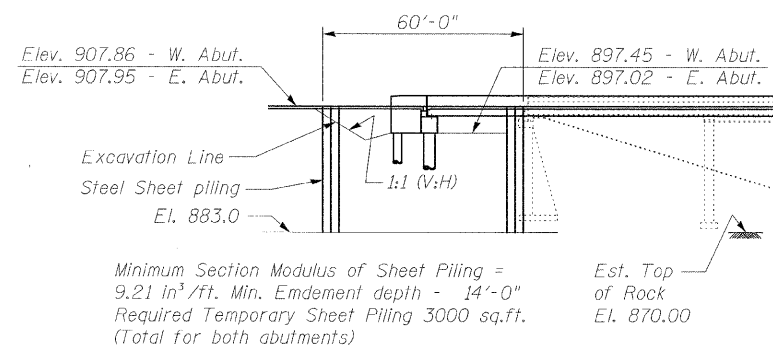
ROUTE NO.	SECTION	COUNTY	TOTAL SHEETS	SHEET NO.
F.A.P. 301	2NBR	STEPHENSON	112	51
FED. ROAD DIST. NO. 7	ILLINOIS	FED. AID PROJECT		

SHEET NO. 3
32 SHEETS

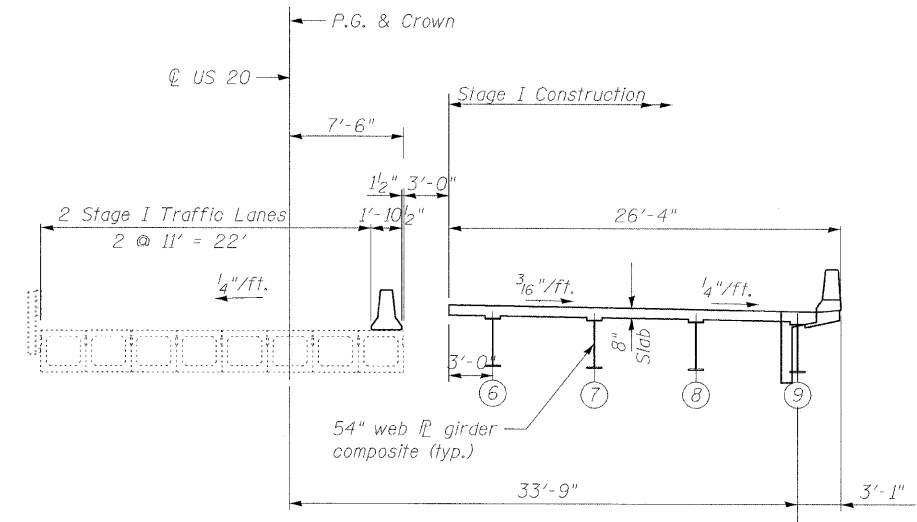
Contract #64D50



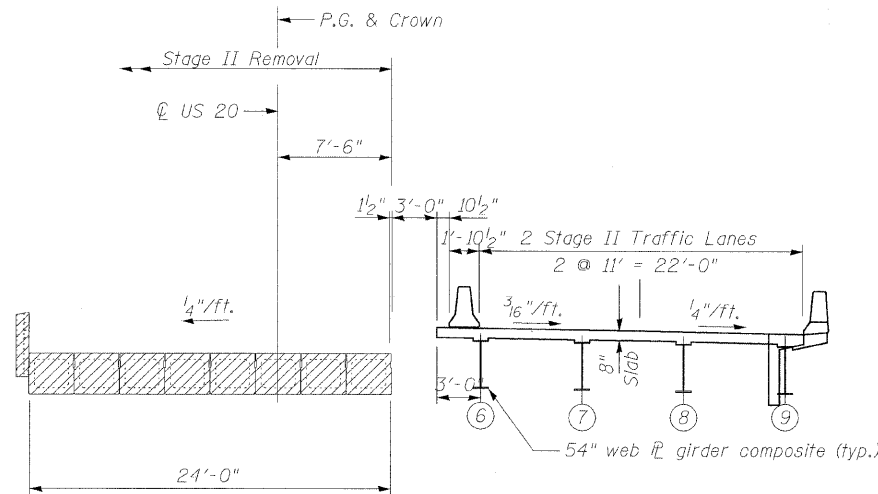
STAGE I REMOVAL
(Dimensions perpendicular to \odot F.A. Rte. 301)
(Looking East)



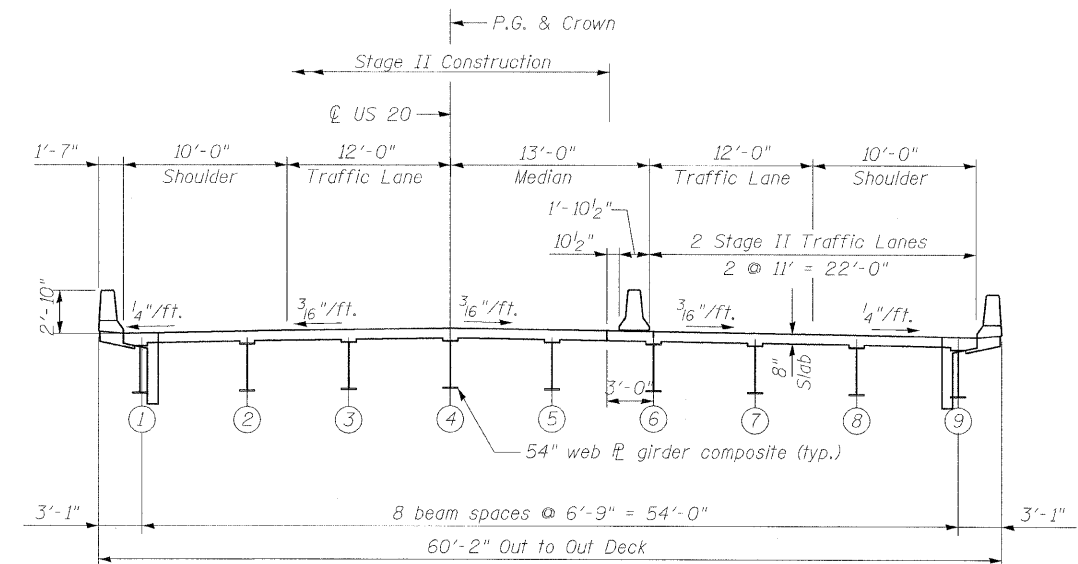
TEMPORARY SHEET PILING
(Typical at both abutments)



STAGE I CONSTRUCTION
(Dimensions perpendicular to \odot F.A. Rte. 301)
(Looking East)



STAGE II REMOVAL
(Dimensions perpendicular to \odot F.A. Rte. 301)
(Looking East)



STAGE II CONSTRUCTION
(Dimensions perpendicular to \odot F.A. Rte. 301)
(Looking East)

DESIGNED	MMH
CHECKED	CEN
DRAWN	R.VEJAR
CHECKED	CEN

STAGE CONSTRUCTION PLAN
US 20 OVER ILLINOIS CENTRAL RAILROAD
F.A.P. RTE. 301 - SEC. 21-VBR & 21RS-2
STEPHENSON COUNTY
STATION 569+56.19
STRUCTURE NO. 089-0077