

8/20/09 AM

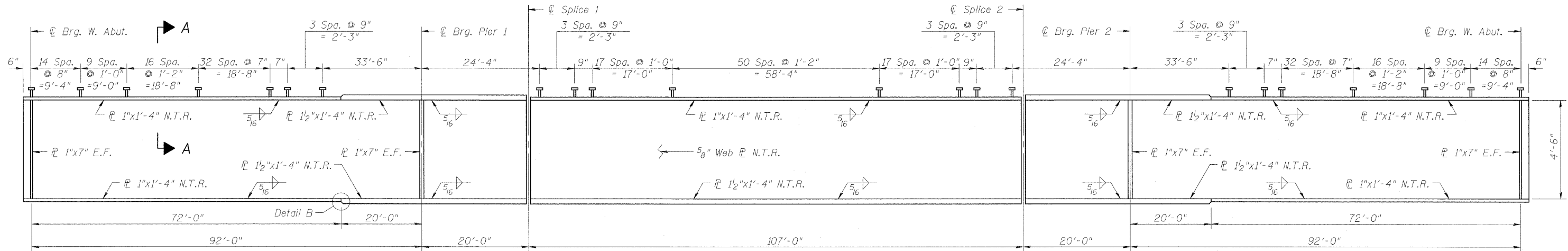
8/16/2009

H:\Proj\8016\2945\06NS\Structural\CCPRR\US20 OVER ICR PREFINAL DWGS\010096-6450-018-STRUCTURAL\STEELEDET\AILSSHT.dgn

STATE OF ILLINOIS  
DEPARTMENT OF TRANSPORTATION

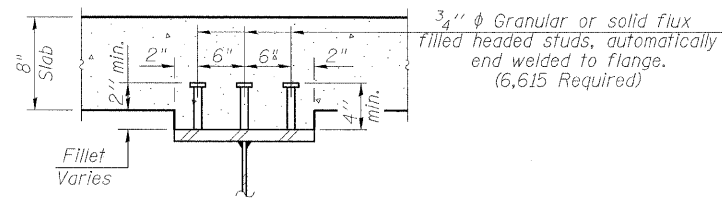
ROUTE NO. F.A.P. 301	SECTION 21-VBR 2IRS-2	COUNTY STEPHENSON	TOTAL SHEETS 112	SHEET NO. 66	SHEET NO. 18 32 SHEETS
FED. ROAD DIST. NO. 7		ILLINOIS	FED. AID PROJECT		

Contract #64D15

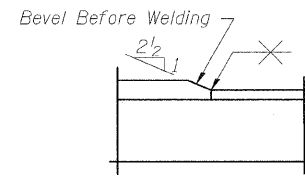


**GIRDER ELEVATION**

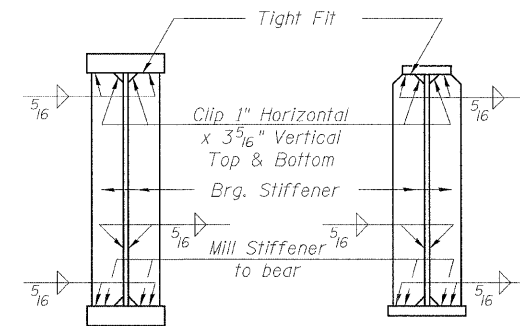
"NTR" denotes plates to which notch toughness requirements are applicable.



SECTION A-A

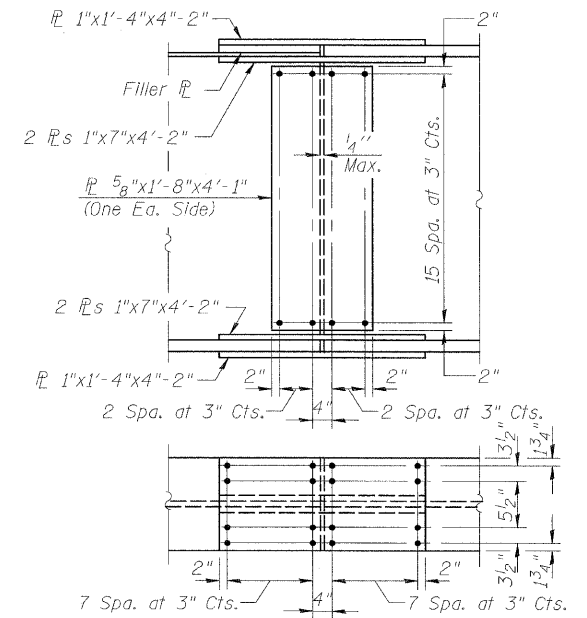


DETAIL "B"



SECTION AT PIER

SECTION AT ABUTMENT



FIELD SPLICE DETAIL

DESIGNED	MMH
CHECKED	CEN
DRAWN	R.VEJAR
CHECKED	CEN

STRUCTURAL STEEL DETAILS - SHEET 1  
 US 20 OVER ILLINOIS CENTRAL RAILROAD  
 F.A.P. RTE. 301 - SEC. 21-VBR & 2IRS-2  
 STEPHENSON COUNTY  
 STATION 569+56.19  
 STRUCTURE NO. 089-0077

**HOH** HARRY O. HETTER-ASSOCIATES, INC.  
 DESIGN AND CONSULTING ENGINEERS  
 66 East Jackson Blvd.  
 Suite 600  
 Chicago, IL 60604  
 312-346-8131  
 PROJECT NUMBER  
**2945**