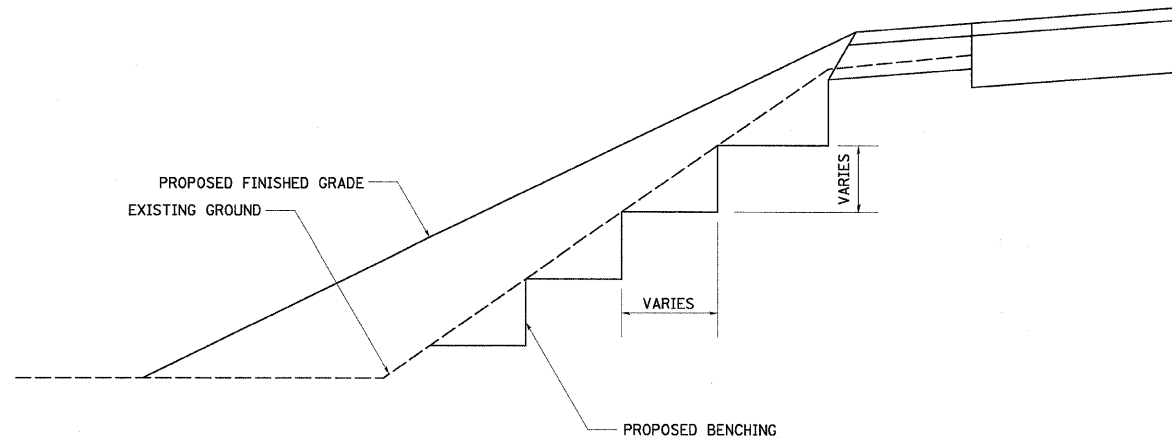


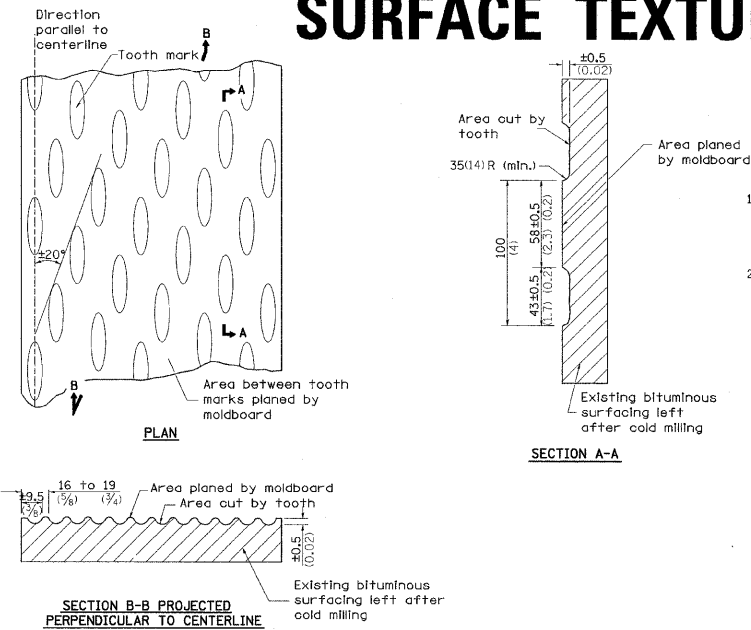
TYPICAL BENCHING ON EXISTING EMBANKMENT



REVISED - 2-22-06

TYPICAL BENCHING ON EXISTING EMBANKMENT 50.4

REQUIRED COLD MILLED SURFACE TEXTURE

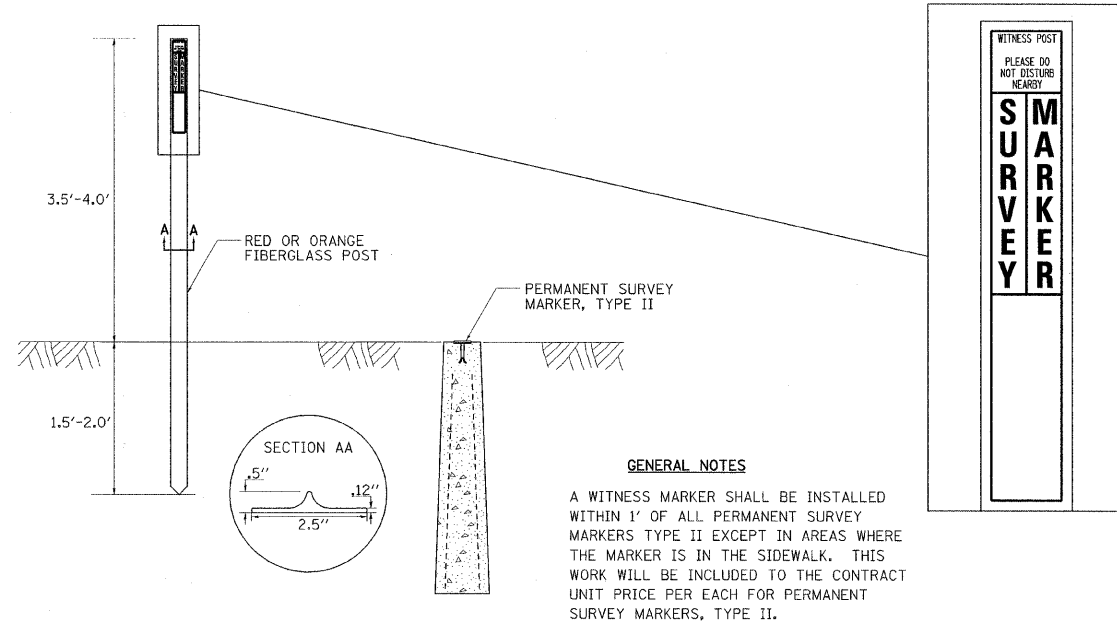


REVISED - 5-1-96

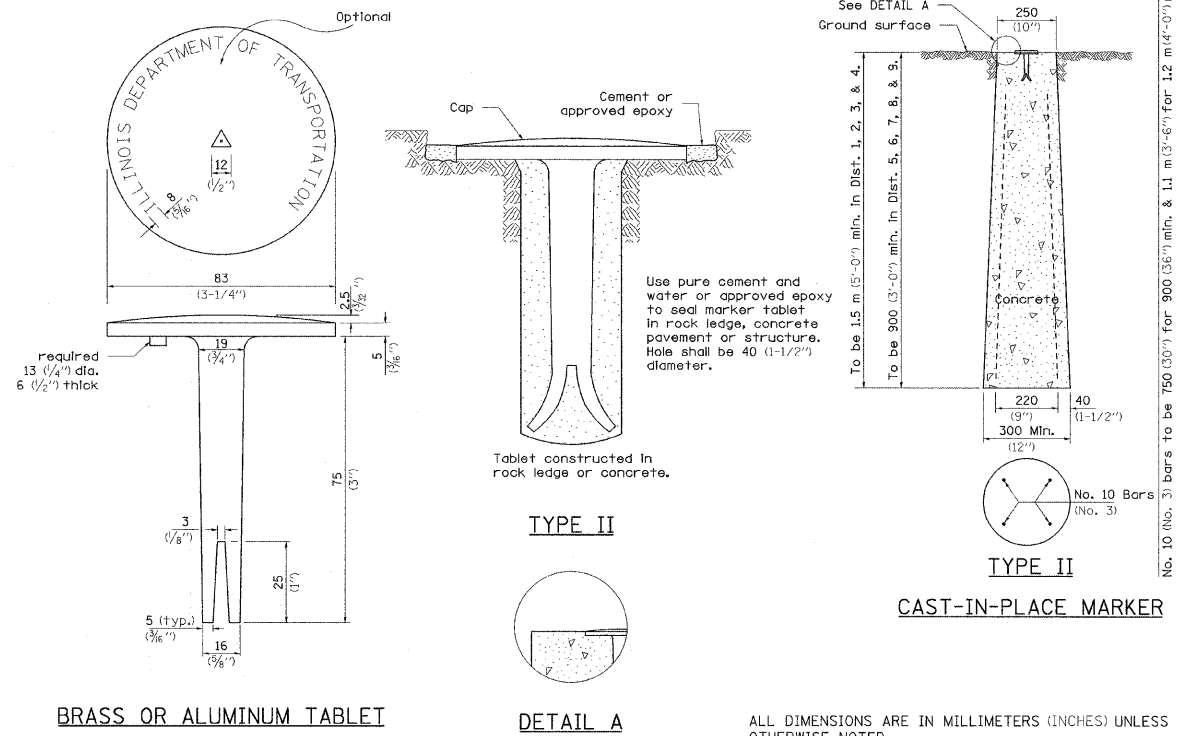
REQUIRED COLD MILLED SURFACE TEXTURE 43.4

- NOTES**
1. Cold Milling shall consist of two processes: Cutting with carbide teeth mounted on a rotating drum, and planing with a moldboard mounted immediately behind the cutting drum.
 2. Other similar patterns will be acceptable if they consist of a smooth, flat, planed surface interspersed with a pattern of discontinuous longitudinal striations.
- ALL DIMENSIONS ARE IN MILLIMETERS (INCHES) UNLESS OTHERWISE NOTED.

WITNESS MARKER FOR PERMANENT SURVEY MARKERS, TYPE II



PERMANENT SURVEY MARKERS, TYPE II



REVISED - 10-21-08

WITNESS MARKER & PERMANENT SURVEY MARKERS, TYPE II 66.2

REVISED -	REGION 2 / DISTRICT 2 STANDARD				F.A. RTE.	SECTION	COUNTY	TOTAL SHEETS	SHEET NO.
REVISED -								112	91
REVISED -					CONTRACT NO.				
REVISED -	SCALE: 1,000' = 1" IN.	SHEET NO.	OF SHEETS	STA.	TO STA.	FED. ROAD DIST. NO.	ILLINOIS FED. AID PROJECT		

PLOT DATE = 8/6/2009